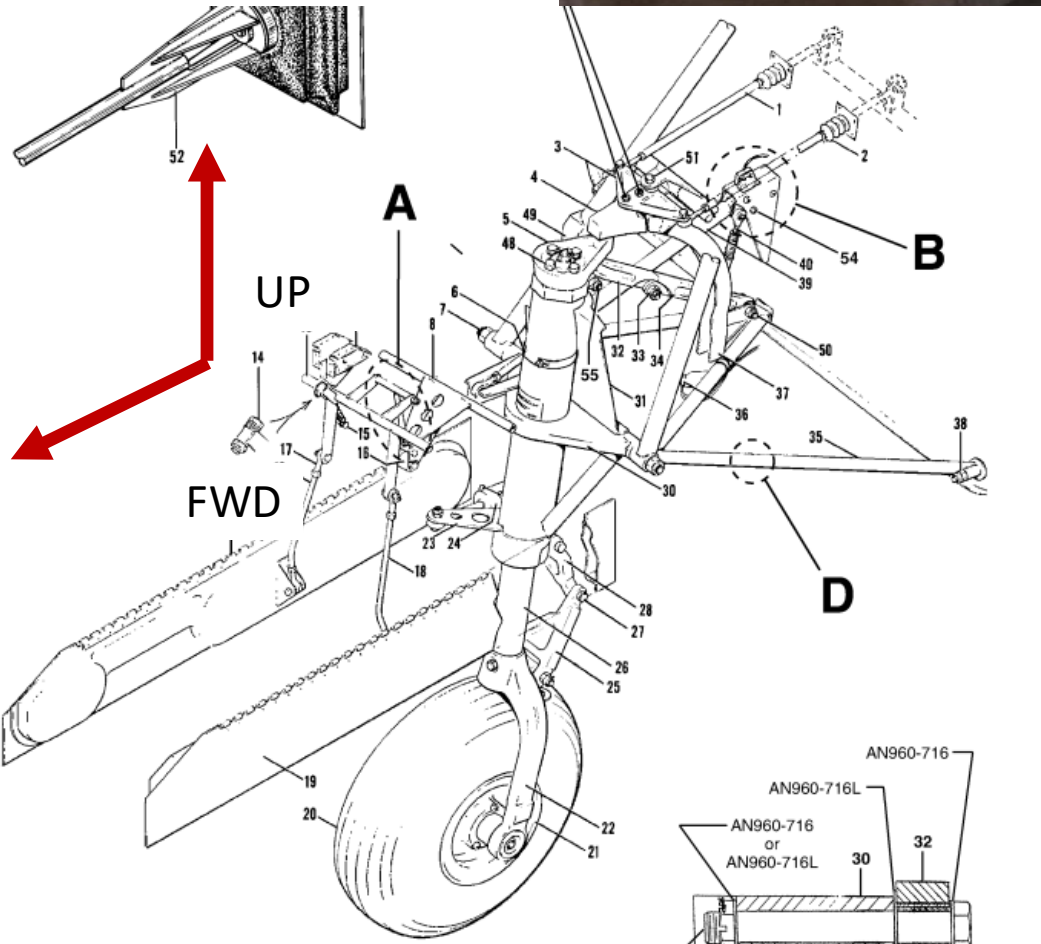
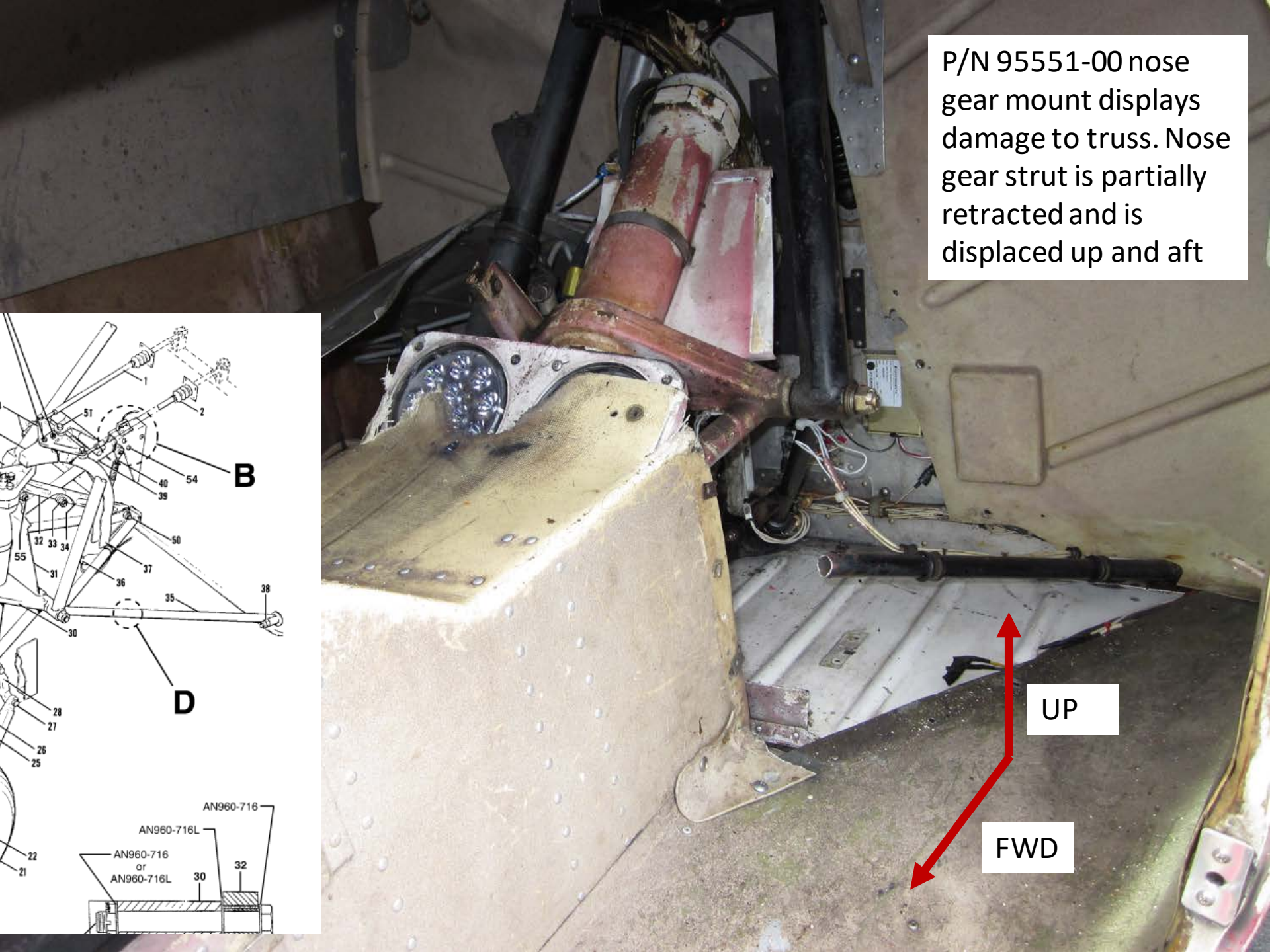


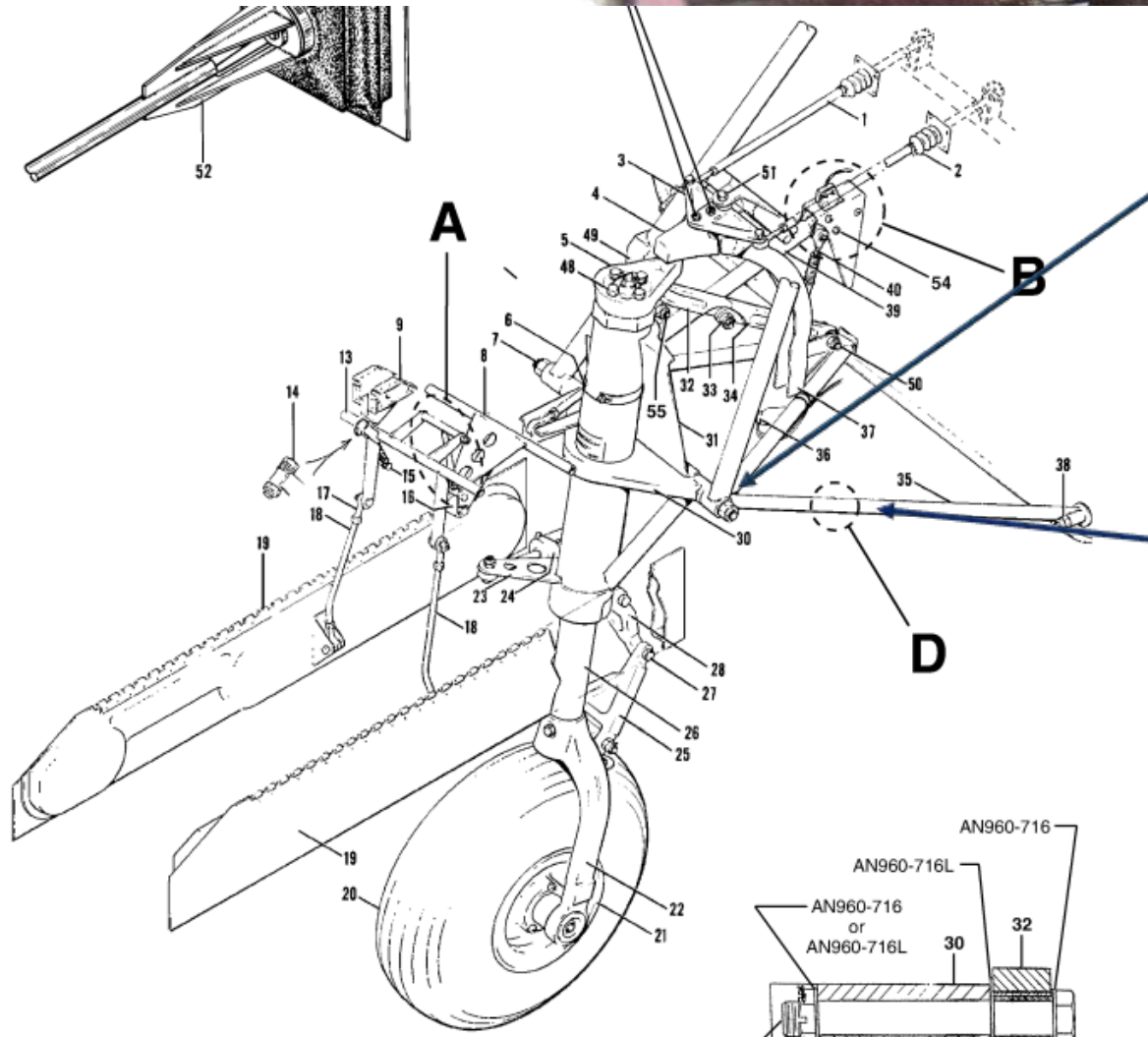
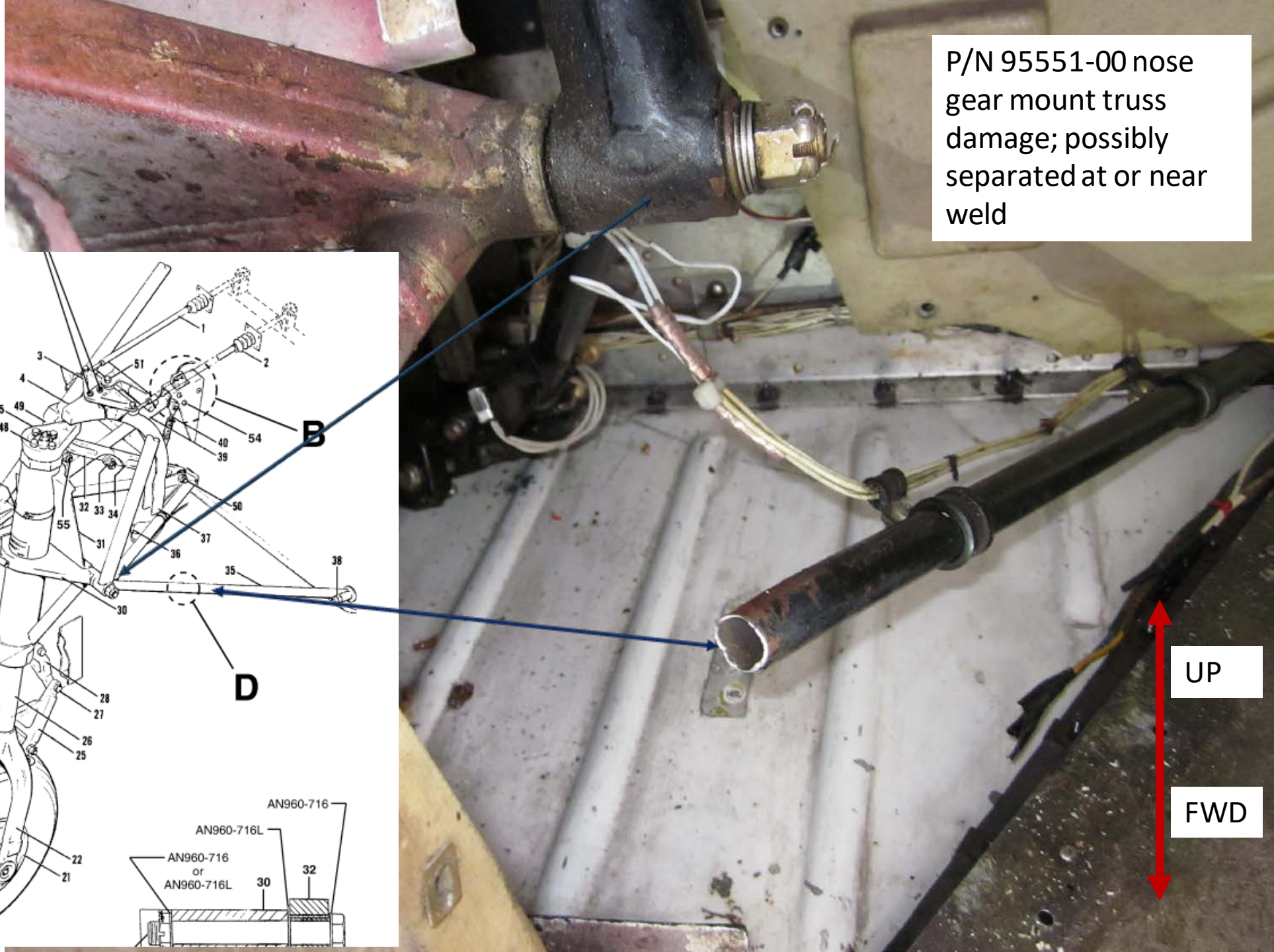
P/N 95551-00 nose gear mount displays damage to truss. Nose gear strut is partially retracted and is displaced up and aft



UP

FWD

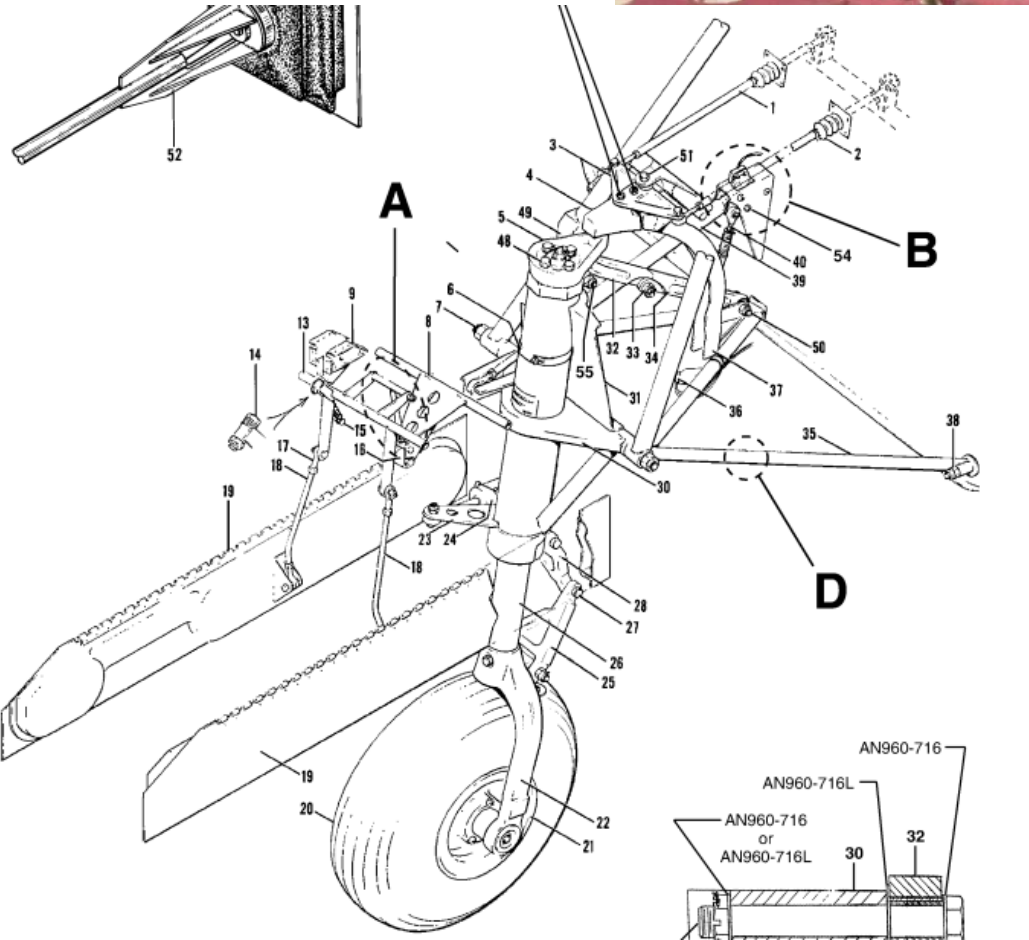
P/N 95551-00 nose gear mount truss damage; possibly separated at or near weld

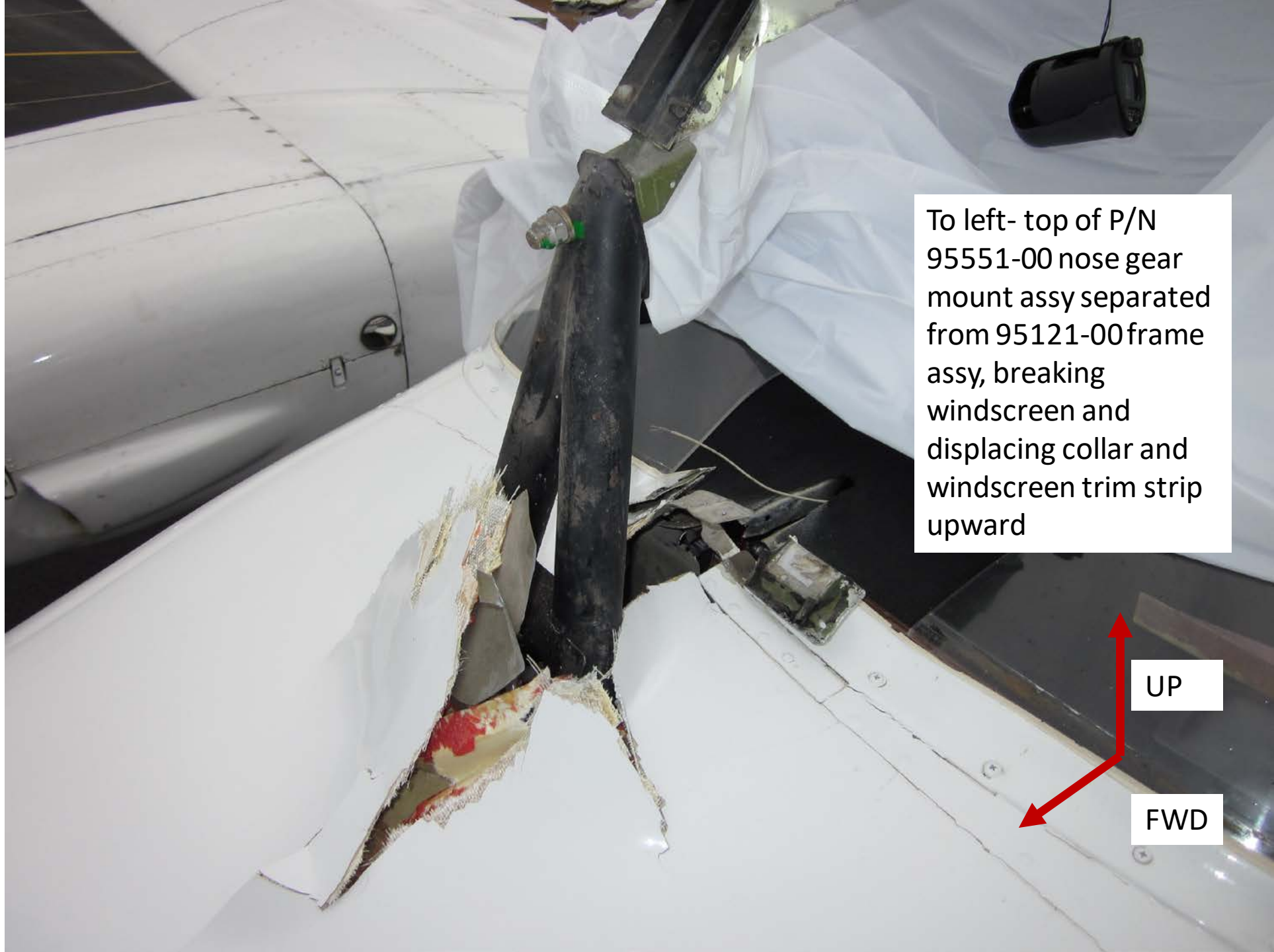


UP

FWD

Nose gear partially retracted, however appears to be displaced aft
Tire deflated, which is a possible outcome of hard landing





To left- top of P/N
95551-00 nose gear
mount assy separated
from 95121-00 frame
assy, breaking
windscreen and
displacing collar and
windscreen trim strip
upward

UP

FWD

P/N 95551-00 nose gear mount displays displaced upward through upper forward cabin structure



UP

FWD