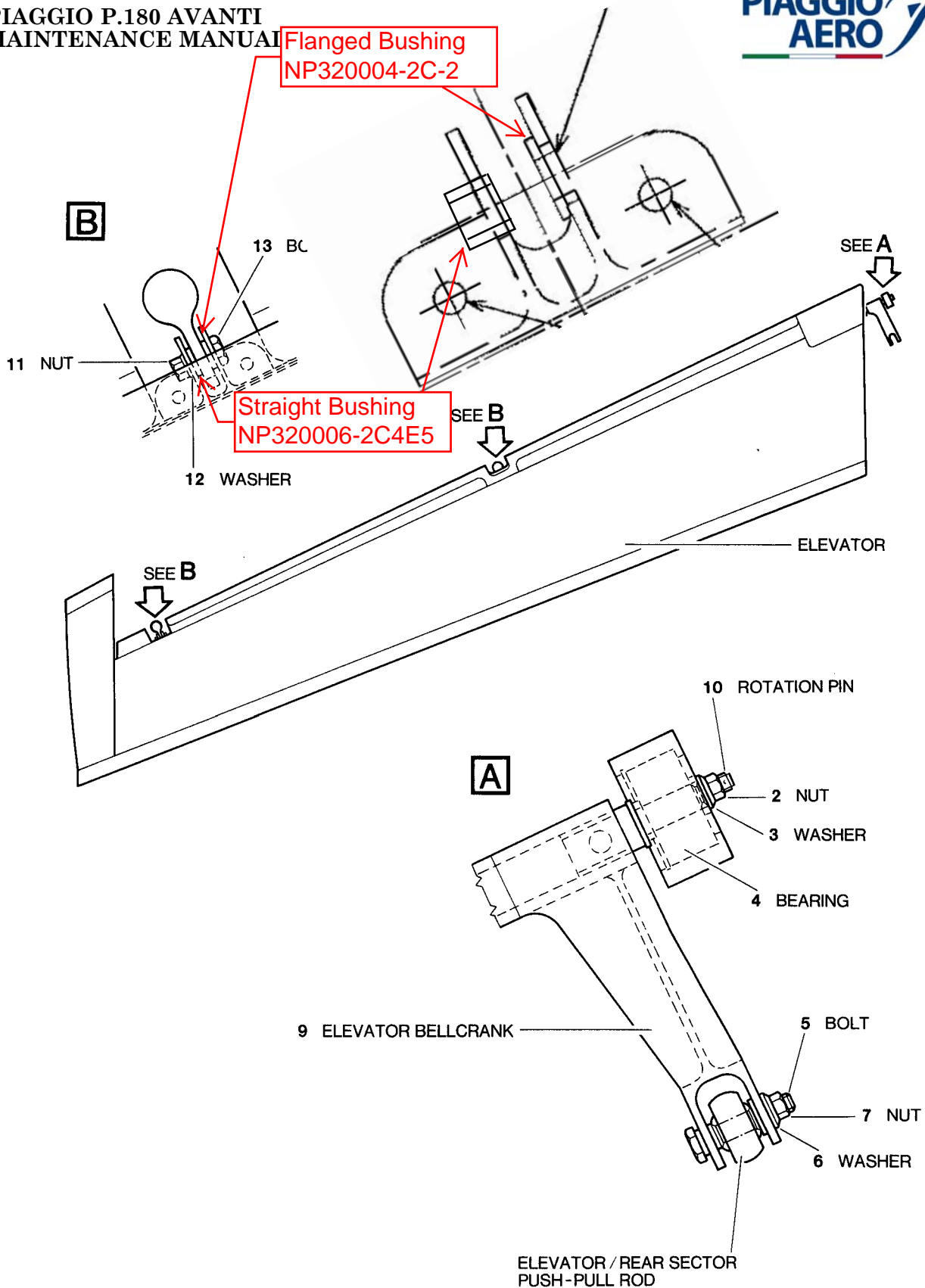


IP\_552000-1

Fig. 1 - INSTL ELEVATOR,(LH-RH)

FIG ITEM	PART NUMBER	NOMENCLATURE 1 2 3 4 5 6 7 8 9	USE ON CODE	UNITS	
				PER ASSY	
1	-1	80-403003-803		1	
	2	80-403003-804		1	
	10	80-403107-041	. FITTING ASSY-HINGE (AS SPARE USE ITEM 15) . . .	1004-1033	2
	-15	80-403107-401	. FITTING ASSY-HINGE . . . . .	1034-1104	2
	ATTACHING PARTS				
	20	NAS6404A9	. BOLT . . . . .		1
	30	NAS1149D0463K	. WASHER . . . . .		1
	-35	NP320006-2C-4.5	. BUSH . . . . .		1
	40	MS21043-4	. NUT . . . . .		1
	* * *				
	50	NAS6404A20	. . BOLT (FOR INDEX 10) . . . . .		1
	-55	NAS6304U21	. . BOLT (FOR INDEX 15) . . . . .		1
	60	NAS1149C0432B	. . WASHER (FOR INDEX 10) . . . . .		1
	-65	NAS1149E0432P	. . WASHER (FOR INDEX 15) . . . . .		1
	70	80-403107-003	. . BUSH (FOR INDEX 10) . . . . .		1
	-75	80-403107-005	. . BUSH (FOR INDEX 15) . . . . .		1
	80	MS20002C4	. . WASHER (FOR INDEX 10) . . . . .		1
	90	MS16625-1143	. CLIP-SPRING . . . . .		1



MM\_273000-201\_2

Fig. 201 - Elevator - Removal/Installation (Sheet 2 of 2)

EFFECTIVITY:

**27-30-00**