

Docket No. SA-533

Exhibit No. 2-QQ

NATIONAL TRANSPORTATION SAFETY BOARD

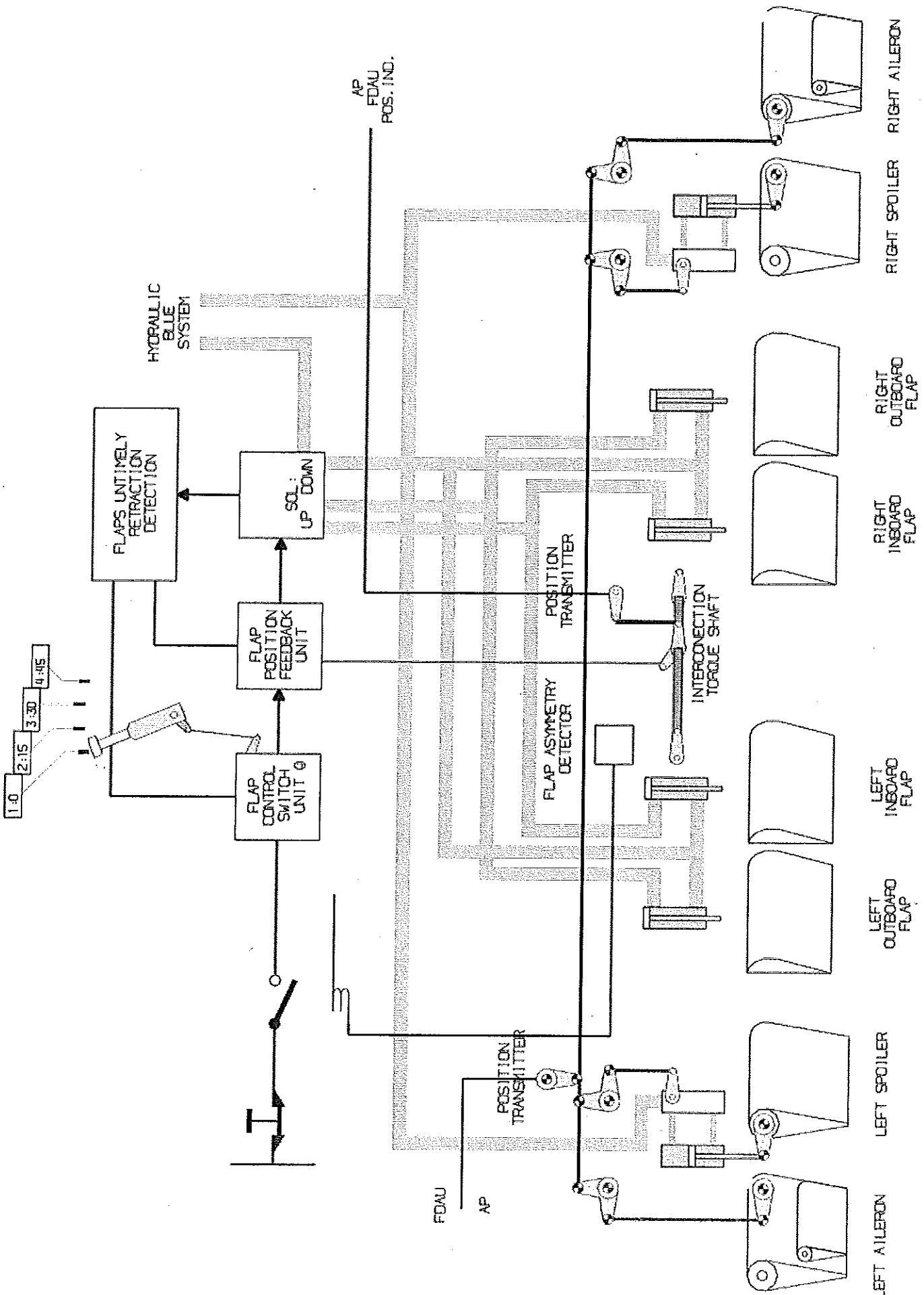
WASHINGTON, D.C.

Schematic of ATR 42 Flap System

(2 Pages)

ATTACHMENT

42



1:0 2:15 3:30 4:45
 HYDRAULIC BLUE SYSTEM
 FLAP CONTROL SWITCH UNIT
 FLAP POSITION FEEDBACK UNIT
 SOL. UP/DOWN
 FLAPS UNTIMELY RETRACTION DETECTION
 AP FDAU POS. IND.
 POSITION TRANSMITTER
 FLAP ASYMMETRY DETECTOR
 INTERCONNECTION TORQUE SHAFT
 POSITION TRANSMITTER
 FDMU
 AP
 LEFT AILERON
 LEFT SPOILER
 LEFT INBOARD FLAP
 LEFT OUTBOARD FLAP
 RIGHT INBOARD FLAP
 RIGHT OUTBOARD FLAP
 RIGHT SPOILER
 RIGHT AILERON