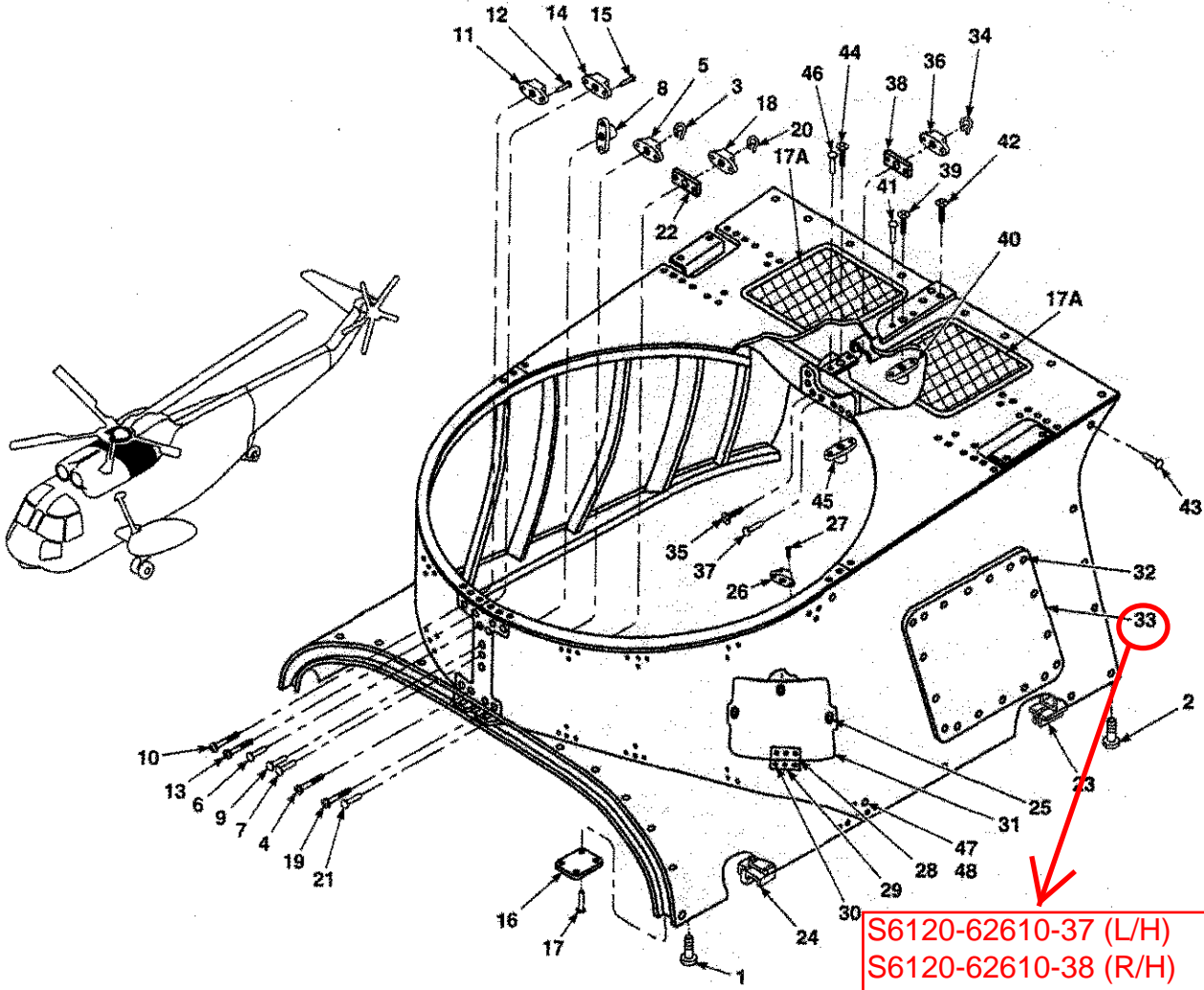


Attachment 11  
Transmission Inspection  
Panel Information



S6120-62610-37 (L/H)  
S6120-62610-38 (R/H)

SS0588  
SA

FIGURE 58. MAIN ROTOR FAIRING INSTALLATION /STA 247 THRU 303/

FIGURE AND INDEX NUMBER	PART NUMBER	DESCRIPTION	UNITS USABLE	
			PER ASSY	ON CODE
		1 2 3 4 5 6 7		
58 -	S6120-62610-45	FAIRING INSTALLATION, MAIN ROTOR LH /STA 247 THRU 303/ SEEFIGURE 54-47		REF 70
	S6109-20091-1	FAIRING INSTALLATION, MAIN ROTOR LH /STA 247 THRU 303/ SEEFIGURE 54-47		REF 73
	S6120-62610-46	FAIRING INSTALLATION, MAIN ROTOR RH /STA 247 THRU 303/ SEEFIGURE 54-47		REF 70
	S6109-20091-2	FAIRING INSTALLATION, MAIN ROTOR RH /STA 247 THRU 303/ SEEFIGURE 54-47		REF 73
- 1	MS27039-1-08	. SCREW . . . . .		2
- 2	MS27039-1-08	. SCREW . . . . .		2
	S6120-62610-47	. FAIRING ASSEMBLY, LH . . . . .		1 70
	S6109-20091-3	. FAIRING ASSEMBLY, LH . . . . .		1 73
	S6120-62610-48	. FAIRING ASSEMBLY, RH . . . . .		1 70
	S6109-20091-4	. FAIRING ASSEMBLY, RH . . . . .		1 73

FIGURE AND INDEX NUMBER	PART NUMBER	DESCRIPTION	UNITS	USABLE
			PER ASSY	ON CODE
		1 2 3 4 5 6 7		
58 - 3	48450	RING, RETAINING /LH ONLY/ /79136/	2	
	V4-201	RING, RETAINING /LH ONLY/ /03024/ /REPLACES 48450/	2	
- 4	48470-4H	STUD, /LH ONLY/ /79136/	2	
	SV4P1	STUD, /LH ONLY/ /03024/ /REPLACES 48470-4H/	2	
- 5	48041	RECEPTACLE, /RH ONLY/ /79136/	2	
	V4-109	RECEPTACLE, /RH ONLY/ /03024/ /REPLACES 48041/ /ATTACHING PARTS/	2	
- 6	MS20426AD3	RIVET, /RH ONLY/	4	
- 7	2600-4S	STUD, /71286/	1	
- 8	212-12A	RECEPTACLE, /RH ONLY/ /71286/ /ATTACHING PARTS/	1	
- 9	MS20426A3	RIVET, /RH ONLY/	2	
- 10	AN525-10R9	SCREW	1	
- 11	12LHA1-02	NUT, ANCHOR /72962/ /RH ONLY/	1	73
	NAS680X3	NUT, ANCHOR /LH ONLY/ /ATTACHING PARTS/	1	73
- 12	MS20426AD3	RIVET	2	
- 13	AN525-10R9	SCREW	1	
- 14	MK3000-1032	NUT, ANCHOR /75237/ /RH ONLY/ /ATTACHING PARTS/	1	
- 15	MS20426AD3	RIVET, /RH ONLY/	2	
- 16	AN7510-1	PLATE, IDENTIFICATION AND MODEL /ATTACHING PARTS/	1	
- 17	MS20470AD3	RIVET	4	
- 17A	S6122-82419-113	SCREEN /USED WITH S6109-20091-3 AND -4/ /SEE S6109-20091-7 AND -8 FOR CORRECT NHA/	1	
	S6120-62606-1	FRAME ASSEMBLY, MAIN ROTOR FAIRING, LH	1	
	S6120-62606-2	FRAME ASSEMBLY, MAIN ROTOR FAIRING, RH	1	
- 18	48450	RING, RETAINING /LH ONLY/ /79136/	2	
	V4-201	RING, RETAINING /LH ONLY/ /03024/ /REPLACES 48450/	2	
- 19	48470-4H	STUD, /LH ONLY/ /79136/	2	
	SV4P1	STUD, /LH ONLY/ /03024/ /REPLACES 48470-4H	2	
- 20	48041	RECEPTACLE, /RH ONLY/ /79136/	2	
	V4-109	RECEPTACLE, /RH ONLY/ /03024/ /REPLACES 48041/ /ATTACHING PARTS/	2	
- 21	MS20426AD3	RIVET, /RH ONLY/	4	
- 22	48404	SHIM, /RH ONLY/ /79136/	2	
	V4-116-62	SHIM, /RH ONLY/ /03024/ /REPLACES 48404/	2	
	S6120-62609-1	BEAM ASSEMBLY, LH	1	
	S6120-62609-2	BEAM ASSEMBLY, RH	1	
- 23	S6120-62609-9	BUMPER, /CEMENTED/	1	
- 24	S6120-62609-10	BUMPER, /CEMENTED/	1	
	S6120-62607-1	DOOR INSTALLATION, TRANSMISSION FILLER TUBE ACCESS /LH ONLY/	1	
- 25	2600-3	STUD, /71286/	3	
- 26	212-12A	RECEPTACLE, /71286/ /ATTACHING PARTS/	3	
- 27	MS20426A3	RIVET	6	
	S6120-62607-2	DOOR ASSEMBLY /ATTACHING PARTS/	1	
- 28	MS20470AD4	RIVET	3	
- 29	S6120-62607-5	HINGE, /ALTERED FROM GOVERNMENT STANDARD PART NO. AN257P2/ /ATTACHING PARTS/	1	
- 30	MS20470AD4	RIVET	3	
- 31	S6120-62607-3	DOOR	1	
- 32	2600-2S	STUD, /71286/	18	
- 33	S6120-62610-37	PANEL ASSEMBLY, LH	1	
	S6120-62610-38	PANEL ASSEMBLY, RH	1	
	S6120-62624-19	FRAME ASSEMBLY, LH	1	
	S6120-62624-23	FRAME ASSEMBLY, RH	1	
- 34	48450	RING, RETAINING /RH ONLY/ /79136/	4	
	V4-201	RING, RETAINING /RH ONLY/ /03024/ /REPLACES 48450/	4	
- 35	48470-4H	STUD, /RH ONLY/ /79136/	4	
	SV4P1	STUD, /RH ONLY/ /03024/ /REPLACES 48470-4H/	4	
- 36	48041	RECEPTACLE, /RH ONLY/ /79136/	4	

FIGURE AND INDEX NUMBER	PART NUMBER	DESCRIPTION	UNITS	USABLE
			PER ASSY	ON CODE
		1 2 3 4 5 6 7		
58 -	V4-109	. . . RECEPTACLE, /RE ONLY/ /03024/ /REPLACES 48041/ /ATTACHING PARTS/	4	
- 37	MS20426AD3	. . . RIVET, /RE ONLY/	8	
- 38	48404	. . . SHIM, /RE ONLY/ /79136/	4	
- 39	V4-116-62	. . . SHIM, /RE ONLY/ /03024/ /REPLACES 48404/	4	
- 39	2600-4S	. . . STUD, /71286/	2	
- 40	212-12AD	. . . RECEPTACLE, /71286/ /ATTACHING PARTS/	2	
- 41	MS20426A3	. . . RIVET	4	
- 42	2600-5S	. . . STUD, /71286/	2	73
- 42	2600-7S	. . . STUD, /71286/	2	70
- 43	2600-4S	. . . STUD, /71286/	9	
- 44	2600-5S	. . . STUD, /71286/	1	
- 45	212-12AD	. . . RECEPTACLE, /71286/ /ATTACHING PARTS/	1	
- 46	MS20426A3	. . . RIVET	2	
- 47	7665	. . . RECEPTACLE, /84256/ /ATTACHING PARTS/	1	
- 48	MS20470AD3	. . . RIVET	5	

Section II  
Group Assembly Parts List

S-61N ILLUSTRATED PARTS CATALOG  
SA4045-79

FIGURE AND INDEX NUMBER	PART NUMBER	DESCRIPTION	UNITS	USABLE
			PER ASSY	ON CODE
59 -	86120-62611-61	FAIRING INSTALLATION, MAIN ROTOR /STA 303 THRU 335/ . . .	REF	1
		SEE FIGURE 54-55		
	86120-62611-62	FAIRING INSTALLATION, MAIN ROTOR /STA 303 THRU 335/ . . .	REF	218
		SEE FIGURE 54-55		
	86120-62611-64	FAIRING INSTALLATION, MAIN ROTOR /STA 303 THRU 335/ . . .	REF	215
		SEE FIGURE 54-55		
	86120-62611-59	. DOOR ASSEMBLY, /LH ONLY/ . . . . .	1	
		/ATTACHING PARTS/		
- 1	2600-4S	. STUD, /71286/ . . . . .	4	
- 2	2600-2S	. STUD, /71286/ . . . . .	1	
- 3	MS27039-0808	. SCREW . . . . .	3	
	AN960PDBL	. WASHER . . . . .	6	
	MS21044H08	. NUT . . . . .	3	
- 4	86120-62611-38	. . HINGE, /ALTERED FROM GOVERNMENT STANDARD PART NO. .	1	
		MS20257P3-300/		
		/ATTACHING PARTS/		
- 5	MS20470AD4	. . RIVET . . . . .	4	
	AN960PD4L	. . WASHER . . . . .	4	
- 6	MS20253-2-300	. . PIN, HINGE . . . . .	1	
- 7	MS20253P2-225	. . PIN, HINGE . . . . .	1	
- 8	86120-62611-54	. . HINGE, /ALTERED FROM GOVERNMENT STANDARD PART NO. .	1	
		MS20257P3-225/		
		/ATTACHING PARTS/		
- 9	MS20470AD4	. . RIVET . . . . .	6	
- 10	86120-62611-38	. . DOOR, ACCESS . . . . .	1	
- 11	86120-62611-57	. . DOOR, ACCESS . . . . .	1	
- 12	86120-62611-47	. . FILLER . . . . .	1	
	86120-62611-39	. DOOR ASSEMBLY, /LH ONLY/ . . . . .	1	
		/ATTACHING PARTS/		
- 13	2600-4S	. STUD, /71286/ . . . . .	4	
- 14	2600-2S	. STUD, /71286/ . . . . .	1	
- 15	MS27039-0808	. SCREW . . . . .	3	
	AN960PDBL	. WASHER . . . . .	6	
	MS21044H08	. NUT . . . . .	3	
- 16	86120-62611-38	. . HINGE, /ALTERED FROM GOVERNMENT STANDARD PART NO. .	1	
		MS20257P3-300/		
		/ATTACHING PARTS/		
- 17	MS20470AD4	. . RIVET . . . . .	4	
	AN960PD4L	. . WASHER . . . . .	4	
- 18	MS20253-2-300	. . PIN, HINGE . . . . .	1	
- 19	86120-62611-28	. . DOOR, ACCESS . . . . .	1	
- 20	86120-62611-47	. . FILLER . . . . .	1	
	86120-62616-1	. DOOR INSTALLATION, INSPECTION LH . . . . .	1	
	86120-62616-6	. DOOR INSTALLATION, INSPECTION RH . . . . .	1	
- 21	208249	. . DECAL, /BONDED/ . . . . .	1	
	13218-7	. . DECAL, /BONDED/ . . . . .	1	
- 22	86120-62616-2	. DOOR ASSEMBLY, LH . . . . .	1	524
	86120-62616-7	. DOOR ASSEMBLY, RH . . . . .	1	
		/ATTACHING PARTS/		
- 23	MS27039-0808	. . SCREW . . . . .	4	
	AN960-8L	. . WASHER . . . . .	8	
	MS21083H08	. . NUT . . . . .	4	
- 24	2600-4S	. STUD, /71286/ . . . . .	3	
- 25	2600-2S	. STUD, /71286/ . . . . .	7	
- 26	AN525-832-8	. SCREW . . . . .	4	
	AN960PDBL	. WASHER . . . . .	8	
	MS21044H08	. NUT . . . . .	4	
	MS20365-832A	. NUT . . . . .	4	
	MS20365-832C	. NUT . . . . .	4	
	86120-62620-16	. DOOR INSTALLATION, LH . . . . .	1	
- 27	86165-62116-101	. . PLATE, INSTRUCTION /BONDED/ . . . . .	1	
- 28	86120-62620-3	. DOOR, LH . . . . .	1	
- 29	MS20253-2-200	. PIN, HINGE . . . . .	2	
- 30	86120-62611-43	. HINGE, /ALTERED FROM GOVERNMENT STANDARD PART NO. .	2	
		MS20257P4-200/		
		/ATTACHING PARTS/		
- 31	MS20470AD4	. RIVET . . . . .	6	

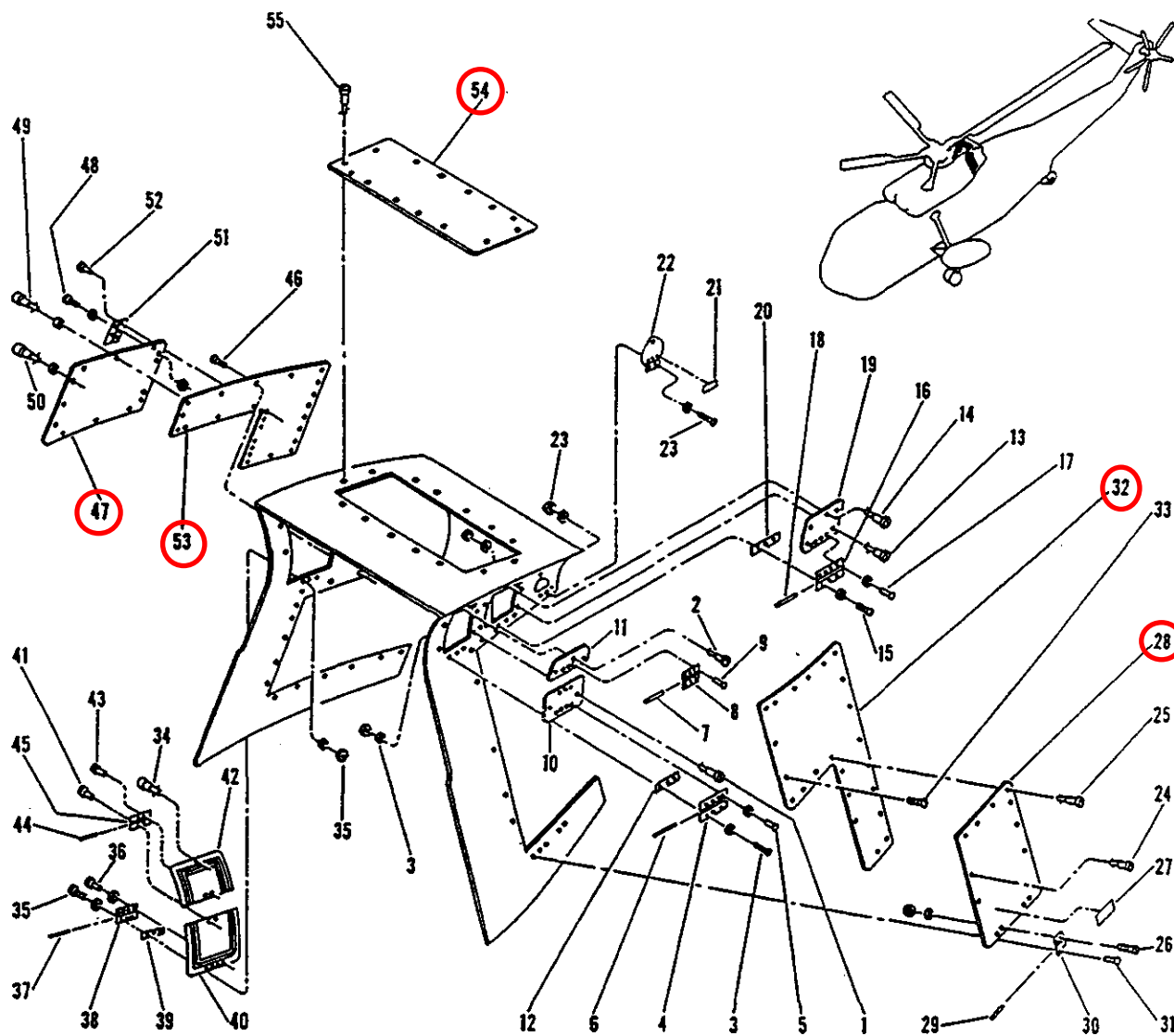


FIGURE 59. MAIN ROTOR FAIRING INSTALLATION /STA 303 THRU 335/

**Section II**  
**Group Assembly Parts List**

S-61N ILLUSTRATED PARTS CATALOG  
SA4045-79

FIGURE AND INDEX NUMBER	PART NUMBER	DESCRIPTION	UNITS USABLE	
			PER ASSY	ON CODE
59 - 32	S6120-62620-5	PANEL, LH /ATTACHING PARTS/	1	
- 33	AN525-10-9	SCREW	16	
- 34	2600-2S	STUD, /71286/ RH	1	
- 35	AN525-832-8	SCREW	3	
	AN960PD8L	WASHER	6	
	MS20365-832	NUT	3	
- 36	S6120-62611-60	COVER ASSEMBLY, ACCESS RH	1	
	MS20470AD4	RIVET	4	
	AN960PD4L	WASHER	4	
- 37	MS20253-2-300	PIN, HINGE	1	
- 38	S6120-62611-38	HINGE, /ALTERED FROM GOVERNMENT STANDARD PART NO. MS20257P3-300/	1	
- 39	S6120-62611-47	FILLER	1	
- 40	S6120-62611-56	COVER, ACCESS /ATTACHING PARTS/	1	
- 41	MS20470AD4	RIVET	2	
- 42	S6120-62611-55	COVER, ACCESS /ATTACHING PARTS/	1	
- 43	MS20470AD4	RIVET	2	
- 44	MS20253P2-225	PIN, HINGE	1	
- 45	S6120-62611-54	HINGE, /ALTERED FROM GOVERNMENT STANDARD PART NO. MS20257P3-225/	1	
	S6120-62620-12	PANEL ASSEMBLY, RH /ATTACHING PARTS/	1	
- 46	AN525-10-9	SCREW	16	
- 47	S6120-62620-14	DOOR /ATTACHING PARTS/	1	
- 48	AN525-832-6	SCREW	4	
	AN960PD8L	WASHER	4	
	MS20364-832	NUT	4	
- 49	2600-3S	STUD, /71286/	3	
	2600-SW	WASHER, /71286/	3	
- 50	2600-4S	STUD, /71286/	6	
	2600-SW	WASHER, /71286/	6	
- 51	S6120-62620-15	HINGE, /ALTERED FROM GOVERNMENT STANDARD PART NO. MS20257P3-200/ /ATTACHING PARTS/	2	
- 52	MS20470AD4	RIVET	6	
- 53	S6120-62620-13	PANEL	1	
- 54	S6120-62611-44	DOOR, ACCESS /ATTACHING PARTS/	1	
- 55	2600-4S	STUD, /71286/	14	
60 -	S6105-2146	FRAMING ASSEMBLY, MAIN TRANSMISSION PAIRING SEE FIGURE 54-60	REF	
- 1	S6120-62403-1	SUPPORT INSTALLATION	1	
- 2	S6120-72400-1	BULKHEAD INSTALLATION	1	
- 2A	S6120-72402-1	FITTING ASSEMBLY, FORWARD FUSELAGE ENGINE MOUNT	2	524
	S6120-72402-3	FITTING ASSEMBLY, FORWARD FUSELAGE ENGINE MOUNT	2	796
- 2B	HL2086W8-5	FASTENER ASSEMBLY, /73197/	8	
- 2C	HL2086W8-3	FASTENER ASSEMBLY, /73197/	8	
- 2D	NAS464P5-13	BOLT	4	
	AN960KD516	WASHER	4	
- 3	S6120-62605-1	PAIRING INSTALLATION, LH	1	
	S6120-62605-2	PAIRING INSTALLATION, RH	1	
- 4	S6120-62625-1	DECK INSTALLATION, LH	1	
	S6120-62625-2	DECK INSTALLATION, RH	1	
- 5	S6120-62613-1	SUPPORT INSTALLATION	1	
- 6	S6120-62256-1	INTERCOSTAL INSTALLATION, LH	1	
	S6120-62256-2	INTERCOSTAL INSTALLATION, RH	1	
- 7	S6120-62256-3	INTERCOSTAL INSTALLATION, LH	1	
- 8	S6120-62611-8	ANGLE, ATTACHMENT LH	1	
	S6120-62611-9	ANGLE, ATTACHMENT RH	1	