



GOODYEAR
AVIATION

Global Aviation Tires
The Goodyear Tire & Rubber Company
200 Innovation Way
Akron, Ohio 44316

ON THE WINGS OF
GOODYEAR

www.goodyearaviation.com

CONTENTS

Section

1	INTRODUCTION
2	DEFINITIONS AND ABBREVIATIONS
3	DATA SECTION – TIRES
	Three Part Name Sizes
	Type I
	Type III
	Type VII
	Metric and Radial
4	DATA SECTION—TUBES AND VALVES
	Tube and Valve Technical Data
	Tube Valve Types and Technical Data
5	APPLICATION CHARTS
	General Aviation/Business Aircraft
	Commercial Aircraft
	Military Aircraft
	Rotary Wing Aircraft
6	ENGINEERING AND TECHNICAL INFORMATION
	Tire Size Selection
	Tubeless Tire in Place of Tube Type Tires
	Tire Measurement Procedure
	Operating Tire Temperatures
	Load Ratings Used for Helicopters
	Radius of Gyration
	Aircraft Tire Dimensions and Deflection
	Growth and Minimum Clearance Allowance—Bias
	Growth and Minimum Clearance Allowance—Radial

Section 1

INTRODUCTION

The Goodyear Tire and Rubber Company, founded in 1898, has been producing aircraft tires since 1909 and retreading aircraft tires since 1927.

Goodyear manufactures new aircraft tires in the United States, Brazil, and Thailand. Retreading facilities are located in the United States, Brazil, Thailand, and the Netherlands.

Goodyear aircraft tires meet exacting specifications, are qualified to perform safely and economically, and help withstand the most stringent demands set forth by today's high performance aircraft.

Specific data on the proper tire sizes for different aircraft main and auxiliary/nose gear, speed ratings, nominal inflation pressures, dimensions, and other data needed by users to obtain the maximum service from their aircraft tires are presented in this booklet. Data are included for reference purposes for some tires that are not in the Goodyear authorized line. The data presented supersedes previously published Goodyear data.

The data and general notes for civil aircraft tires are in accordance with Tire & Rim Association Standards. The civil aircraft tire data also conform to Federal Aviation Agency (FAA) Technical Standard Order C-62e, and other applicable standards.

The data for military aircraft are based on military specification MIL-PRF-5041K, unless otherwise indicated.

Loads shown are the recommended maximum for the indicated inflation. For loads less than the maximum, the inflation pressure can be reduced proportionately.

The physical tire data and applications herein are accurate to the best of our knowledge at the time of publication. For questions regarding specific applications, please contact your Goodyear aircraft tire distributor or the aircraft manufacturer for current information.



Section 2

DEFINITIONS AND ABBREVIATIONS

TIRE NAME SIZE CLASSIFICATION

Three Part Type	All new sizes being developed are in this classification. NOTE: Some sizes have a letter such as "H" in front of the diameter. This is to identify a tire that is designed for a higher percent deflection.
Radial	Radial size nomenclature is the same as Three Part Type except an "R" replaces the "-" (dash) before the wheel/rim diameter.
Metric Type	This size designation is the same as Three Part except the diameter and section width. Dimensions are in millimeters, and the wheel/rim diameter is in inches.
Type I	Oldest type/description giving outside diameter only.
Type III	This type was one of the earliest size designations used for piston-propeller aircraft. Its characteristic is low pressure for cushioning and flotation.
Type VII	This type covers most of the older sizes and was designed for today's jet aircraft with higher load capacity.

Tire Name Type	Tire Size Example	Nominal Diameter (In)	Nominal Section Width (In)	Nominal Wheel/Rim Diameter (In)
Three Part	49x19.0-20	49	19.0	20
Metric	670x210-12	670 mm	210 mm	12 inches
Type I	27	27	--	--
Type III	8.50-10	--	8.50	10
Type VII	49x17	49	17	--
Radial	32x8.8R16	32	8.8	16

Ply Rating	The term "Ply Rating" is used to identify a given tire with its maximum recommended load when used in a specific type of service. It is an index of tire strength and does not necessarily represent the number of carcass plies in the tire.
TT or TL	Designates whether the tire is tube-type or tubeless construction
Rated Speed	The maximum speed, normally in miles per hour, to which the tire is qualified.
Rated Load	The maximum load rating in pounds.
Rated Inflation	The inflation pressure required for the tire to support the rated load.
Max Braking Load	The maximum steady braking load which may be applied to a tire.
Max Bottoming Load	Approximate load required to bottom the tire on the rim at rated inflation pressure.
Part Number	The Goodyear part number assigned to the tire if applicable.
Inflated Dimensions	The dimensions of a new tire inflated to rated inflation pressure.
Static Loaded Radius	The distance from the center of the axle to the deflected tread surface under normal load and inflation pressure.
Flat Tire Radius	The distance from the center of the axle to the deflected tread surface when subjected to bottoming load.
Aspect Ratio	The ratio of tire section height to tire section width.
Wheel	The dimensions of the wheel on which the tire is to be used.
LST	Load, speed, and time curve.
SCD	Specification Control Document.
T&RA	The Tire and Rim Association
U	Universal LST Curve (TSO-C62e)
DT	Deflector Type. (Nosewheel chine)
DDT	Dual Deflector Type.



Section 3

DATA SECTION—TIRES

Three-Part Name Sizes

Size	CONSTRUCTION			SERVICE RATING				Tread Design / Trademark	Part Number		INFLATED DIMENSIONS						Static Loaded Radius (In)	Flat Tire Radius (In)	Aspect Ratio	WHEEL				
	Ply Rating	TT or TL	Rated Speed (MPH)	Rated Load (Lbs)	Rated Inflation (PSI)	Maximum Braking Load (Lbs)	Maximum Bottoming Load (Lbs)				Outside Diameter		Section Width		Shoulder					Wheel (Rim) Size	Width Between Flanges	Specified Rim Diameter	Flange Height	Min Ledge Width
											Max	Min	Max	Min	Diameter Max	Width Max								
13.5x6.0-4	14	TL	230	3450	135	5000	10000	Aircraft Rib	461B-3470-TL		13.75	13.2	6.1	5.75	12	5.4	5.35	3.60	0.800	13.5x6.0-4	4.75	4	0.55	0.94
14.5x5.5-6	14	TL	210	2800	144	4200	13100	Flight Eagle DT	145K13-1		14.5	14	5.5	5.15	13	4.85	6.4	5.10	0.775	14.5x5.5-6	4.25	6	0.88	1.50
14.5x5.5-6	8	TL	214	2890	123	4335	8670	Aircraft Rib	461B-3255-TL		14.2	13.7	5.5	5.15	13	4.85	6.1	5.00	0.774	14.5x5.5-6	4.25	6	0.88	1.50
14.5x5.5-6	14	TL	120	3550	155	5330	10600	Aircraft Rib	145K41-1		14.5	14	5.5	5.15	13	4.85	6.1	5.09	0.774	14.5x5.5-6	4.25	6	0.88	1.50
15X6.0-6	6	TT	120	1950	68	2830	5300	Flight Special II	156E66B1		14.5	14	5.5	5.15	13	4.85	6.1	5.09	0.726	6.00-6	5.00	6	0.75	0.85
15X6.0-6	6	TT	160	1950	68	2830	5300	Flight Special II	156E61-3		15.2	14.55	6.3	5.9	13.55	5.55	6.1	4.80	0.726	6.00-6	5.00	6	0.75	0.85
15x6.0-6	6	TT	160	1950	68	2830	5300	Flight Custom III	156E66-4		15.2	14.55	6.3	5.9	13.55	5.55	6.1	4.80	0.726	6.00-6	5.00	6	0.75	0.85
15x6.0-6	10	TL	160	3200	112	4800	8650	Flight Custom II	156E06-1		15.2	14.55	6.55	5.9	13.55	5.75	6.1	4.80	0.727	6.00-6	5.00	6	0.75	—
15x6.0-6	10	TL	160	3200	112	4640	8600	Flight Eagle LT DDT	156E06B1		15.2	14.55	6.3	5.9	13.55	5.55	6.1	4.90	0.732	6.00-6	5.00	6	0.75	0.90
15X6.0-6	12	TT	210	3410	137	5115	10560	Flight Eagle LT DDT	156K23B1		15.2	14.55	6.3	5.9	13.55	5.55	6.3	4.90	0.732	6.00-6	5.00	6	0.75	1.50
17.5x5.75-8	10	TL	210	3950	148	5925	11850	Flight Eagle DT	178K03-1		17.5	16.95	5.75	5.4	15.8	5.1	7.4	6.00	0.827	18x5.5	4.25	8	0.88	1.60
17.5x5.75-8	12	TL	210	5000	180	7500	15000	Flight Eagle	178K23-5		17.5	16.95	5.75	5.4	15.8	5.1	7.4	6.10	0.827	18x5.5	4.25	8	0.88	1.40
17.5x5.75-8	14	TL	210	6050	220	9080	18200	Flight Eagle	178K43-1		17.5	16.95	5.75	5.4	15.8	5.1	7.4	6.30	0.827	18x5.5	4.25	8	0.88	1.40
17.5x6.25-6/6.00-6	8	TL	190	2900	70	4200	7800	Flight Special II	175K88-2		17.5	16.85	6.25	5.9	15.45	5.5	6.9	4.80	0.920	6.00-6	5.00	6	0.75	0.90
17.5x6.25-6	8	TL	190	2900	70	4200	7800	Flight Special II	175K88B1		17.5	16.85	6.25	5.9	15.45	5.5	6.9	4.80	0.920	6.00-6	5.00	6	0.75	0.90
17.5x6.25-6	10	TL	160	3750	90	5650	10150	Flight Special II	175K08-1		17.5	16.85	6.25	5.9	15.45	5.5	6.9	4.80	0.920	6.00-6	5.00	6	0.75	0.65
17.5x6.25-11	8	TL	139K	3600	167	5400	10800	Smooth	461B-2271-TL		17.7	17.3	6.1	5.7	16.5	5.45	7.95	7.60	0.550	17.5x6.25-11	5.25	11	0.81	1.25
18x4.25-10	6	TL	210	2300	100	3450	6900	Flight Eagle DT	181K63-2		18.25	17.75	4.7	4.45	16.75	4.15	7.9	6.70	0.874	18x4.25-10	3.63	10	0.60	0.85
18x5.7-8	18	TL	250	8600	300	12900	25800	Aircraft Rib	461B-3563-TL		17.9	17.3	5.7	5.35	16.2	5	7.55	6.10	0.869	18x5.5	4.25	8	0.88	1.50
18x5.7-8	20	TL	250	9000	315	13500	27000	Aircraft Rib	461B-3434-TL		17.9	17.3	5.7	5.35	16.2	5	7.55	6.10	0.869	18x5.5	4.25	8	0.88	1.50
18x5.75-8	8	TL	190	3050	105	4570	9200	Flight Eagle DDT	186K88-5		18	17.4	5.75	5.4	16.2	5.1	7.6	6.00	0.870	18x5.5	4.25	8	0.88	1.25
18x6.5-8	12	TL	223K	5000	150	7500	15000	Aircraft Rib	461B-3325-TL		18	17.45	6.5	6.2	15.95	5.7	7.7	6.10	0.770	18x6.5-8	5.25	8	0.88	1.50
19.5x6.75-8	8	TL	210	3300	86	4950	9900	Flight Leader DT	196K83-1		19.5	18.9	6.75	6.2	17.45	5.95	8.05	5.90	0.865	6.50-8	5.25	8	0.81	1.25
19.5x6.75-8	10	TL	190	4270	110	6400	12800	Aircraft Rib	196K08-9		19.2	18.9	6.35	6.2	17.45	5.95	8.05	6.10	0.865	6.50-8	5.25	8	0.81	1.25
19.5x6.75-8	10	TL	225	4270	110	6400	12800	Flight Leader DT	196K02B1		19.2	18.9	6.35	6.2	17.45	5.95	8.05	6.10	0.865	6.50-8	5.25	8	0.81	2.00
H19.5x6.75-10	8	TL	160	4000	120	5800	10800	Flight Eagle	197K86-1		19.5	18.9	6.75	6.35	17.8	5.95	8.25	6.80	0.702	H19.5x6.75-10	4.25	10	0.75	1.50
20.5x6.75-10	12	TL	225	6225	182	9350	18675	Flight Leader DT	206K22-1		20.5	20	6.75	6.35	19.45	6.1	8.8	7.30	0.779	20.5X6.75-10	5.25	10	1.00	1.80
21x6.5-10	12	TL	160	6225	173	9350	18675	Flight Eagle LT	215K26-2		21	20.45	6.5	6.1	19.9	5.85	8.9	7.10	0.849	21x6.5-10	4.75	10	0.81	1.13
21x7.25-10	12	TL	225	6400	166	9600	19200	Flight Eagle DT	217K22-1		21.25	20.6	7.2	6.8	19.25	6.35	9	7.30	0.779	22x6.6	5.50	10	1.00	1.80
21x7.25-10	14	TL	225	7600	198	11400	22800	Flight Eagle	217K42-1		21.25	20.6	7.2	6.8	19.25	6.35	9	7.60	0.760	22x6.6	5.50	10	1.00	1.30
21x7.25-10	20	TL	195K	12000	325	18000	36000	Aircraft Rib DT	461B-2728-TL(DT)		21.25	20.6	7.2	6.8	19.25	6.35	9	7.60	0.779	22x6.6	5.50	10	1.00	2.10
21.5x7.0-10	12	TL	139K	6700	135	9720	18100	Aircraft Rib	710G26B2		21.76	21.14	7.05	6.73	18.89	6.13	9	7.00	0.830	175x254x545	5.90	10	0.75	—
22x5.75-12	10	TL	190	5700	180	8550	17100	Flight Eagle	226K08-4		22	21.4	5.75	5.4	20.2	5.05	9.6	8.00	0.870	22x5.5	4.25	12	0.88	1.35
22x5.75-12	12	TL	210	7100	220	10650	21300	Flight Eagle	226K23-2		22	21.4	5.75	5.4	20.2	5.05	9.6	8.30	0.870	22x5.5	4.25	12	0.88	1.35
22x6.5-10	6	TL	190	2800	68	4200	8400	Aircraft Rib	222K68-2		22.1	21.35	6.65	6.25	19.9	5.65	9.1	6.90	0.908	6.50-10	4.75	10	0.81	1.20
22x6.6-10	18	TL	200K	10700	260	16050	32100	Aircraft Rib	461B-3226-TL		22.2	21.6	6.8	6.4	20	6	9.45	7.40	0.902	22x6.6	5.50	10	1.00	2.05
22x6.6-10	20	TL	190K	12000	270	18000	36000	Aircraft Rib	461B-2515-TL		22.2	21.6	6.8	6.4	20	6	9.35	7.40	0.902	22x6.6	5.50	10	1.00	2.05
22x6.6-10	22	TL	225	14150	304	21225	42450	Aircraft Rib	461B-3903-TL1		22.2	21.6	6.8	6.4	20	6	9.35	7.40	0.902	22x6.6	5.50	10	1.00	2.05
22x6.6-10	22	TL	240	14150	304	21225	42450	Aircraft Rib	461B-3926-TL		22.2	21.6	6.8	6.4	20	6	9.35	7.40	0.902	22x6.6	5.50	10	1.00	2.05
22x6.75-10	8	TL	160	4450	95	6450	12000	Flight Custom III	265F86-8		22	21.3	6.75	6.35	19.85	5.95	9.1	7.10	0.890	6.50-10	4.75	10	0.81	1.10
22x6.75-10	10	TL	190	5900	125	8550	15950	Flight Special II	265K08-1		22	21.3	6.75	6.35	19.85	5.95	9.1	7.10	0.890	6.50-10	4.75	10	0.81	1.30
22x7.75-9	26	TL	210K	12400	305	18600	32200	Aircraft Rib	461B-3592-TL		22.2	21.5	7.8	7.35	19.85	7.12	9.19	6.70	0.848	22x7.75-9	6.25	9	1.13	2.15
22x7.75-10	10	TL	190	5500	110	7980	14900	Aircraft Rib	277K08-1		22	21.3	7.75	7.3	19.85	6.8	9.05	7.10	0.773	6.50-10	4.75	10	0.81	0.95
22x7.75-10	12	TL	190	6700	133	10050	20100	Aircraft Rib	277K28-1		22	21.3	7.75	7.3	19.85	6.8	9.05	6.90	0.773	6.50-10	4.75	10	0.81	0.95
22x8.0-8	6	TT	120	2500	40	3620	6700	Flight Special II	228K61-1		22	21.3	8	7.55	19.5	7.05	8.75	6.00	0.878	22x8.0-8	6.00	8	0.88	1.10
22x8.0-10	10	TL	190	6500	110	9750	17500	Flight Eagle	220K08-3		22	21.35	8	7.55	19.85	7.05	9	6.90	0.750	22x8.0-10	5.00	10	0.63	1.40
22x8.0-10	12	TL	190	7900	135	11450	21300	Flight Eagle	220K28-1		22	21.35	8	7.55	19.85	7.05	9	7.10	0.750	22x8.0-10	5.00	10	0.63	1.40
H22x8.25-10	12	TL	190	6900	132	10350	18620	Flight Eagle	229K28-2		22	21.4	8.25	7.8	20.8	7.45	9.14	7.10	0.726	H22x8.25-10	5.25	10	0.85	1.10

Three-Part Name Sizes

Size	CONSTRUCTION			SERVICE RATING				Tread Design / Trademark	Part Number	INFLATED DIMENSIONS						Static Loaded Radius (In)	Flat Tire Radius (In)	Aspect Ratio	WHEEL				
	Ply Rating	TT or TL	Rated Speed (MPH)	Rated Load (Lbs)	Rated Inflation (PSI)	Maximum Braking Load (Lbs)	Maximum Bottoming Load (Lbs)			Outside Diameter		Section Width		Shoulder					Wheel (Rim) Size	Width Between Flanges	Specified Rim Diameter	Flange Height	Min Ledge Width
										Max	Min	Max	Min	Diameter Max	Width Max								
H22x8.25-10	14	TL	190	8300	156	12500	22400	Flight Eagle	229K48-2	22	21.35	8.25	7.8	20.79	7.44	9.14	7.10	0.726	H22x8.25-10	5.25	10	0.85	2.14
22x8.5-11	16	TL	217K	10000	210	15000	30000	Aircraft Rib	461B-2513-TL	22	21.4	8.5	8.1	16.64	7.5	9.39	7.80	0.644	22x8.5-11	7.25	11	0.88	1.88
23x7.00-12	12	TL	210	7800	160	11700	23400	Flight Eagle	237K23-2	23.2	22.6	7.2	6.8	21.15	6.3	9.89	7.90	0.778	23x7.0-12	6.25	12	0.65	1.25
24x7.25-12	12	TL	190	8150	164	12200	24500	Flight Leader	247R28-1	24.5	23.95	7.5	7	22.25	6.5	10.39	7.80	0.842	24x7.25-12	6.25	12	0.70	1.75
24x8.0-13	18	TL	230K	12500	285	18750	37500	Aircraft Rib	461B-2506-TL	24	23.4	8	7.55	22	7.05	10.44	8.90	0.688	24x8.0-13	5.75	13	1.00	2.05
B24x9.5-10.5	18	TL	210	12200	160	18300	32900	RED STREAK 700	249K83-3	24	23.3	9.5	8.95	21.6	8.4	9.85	7.69	0.712	B24x9.5-10.5	6.00	10.5	0.88	1.90
H25x8.0-12	16	TL	210	11300	187	16950	30515	Flight Eagle LT	258K63-2	25	24.4	8	7.55	23.7	7.2	10.5	8.30	0.814	H25x8.0-12	5.25	12	0.98	1.80
25.5x8.0-14	16	TL	222	13939	285	20230	40455	Aircraft Rib	461B-3233-TL	25.5	24.8	8	7.55	23.14	6.84	12.6	9.40	0.717	25.5x8.0-14	5.75	14	1.00	2.10
25.5x8.0-14	20	TL	217K	16200	310	23500	43700	Aircraft Rib	461B-3529-TL	25.5	24.8	8	7.55	23.13	6.84	10.94	9.40	0.717	25.5x8.0-14	5.75	14	1.00	2.10
25.5x8.75-10	14	TL	190	8500	101	12750	22950	Aircraft Rib	259K48G1	25.6	24.7	8.65	8.25	22.85	7.69	10.25	7.20	0.896	24x7.7	5.50	10	0.91	1.50
25.75x6.75-14	14	TL	210	10300	199	14930	27800	Aircraft Rib	256K43-2 256K43-3 256K43-4	25.75	25.1	6.75	6.35	23.65	5.95	11.2	8.00	0.884	26x6.6	5.00	14	1.00	1.70
26x6.75-14	16	TL	190	11900	270	17850	35700	Flight Eagle	265K68-2	26	25.3	6.75	6.34	23.85	5.94	11.3	9.60	0.888	26x6.6	5.00	14	1.00	1.90
26x10.0-11	12	TL	139K	9700	140	14550	30400	Aircraft Rib	461B-3251-TL	26	25.5	10	9.44	23.3	8.8	10.85	7.80	0.758	26x10.0-11	8.00	11	1.00	1.95
26x10.5-6	6	TL	120	2765	25	4010	7465	Smooth	260K61-1	26	25.1	10.5	9.95	22.4	9.25	9.64	5.00	0.955	9.00-6	6.75	6	0.88	1.45
H26.5X8.0-14	14	TL	210	10975	189	16475	29590	Flight Leader	269K43-2 275K22-1 275K22T1	26.5	25.9	8	7.55	25.25	7.2	11.3	9.30	0.781	H26.5x8.0-14	5.25	14	1.00	2.00
27x7.75-15	12	TL	225	9650	200	14475	29000	Flight Leader	275K22T1	27	26.3	7.75	7.3	24.85	6.84	11.8	9.80	0.773	29x7.7	6.00	15	1.00	1.60
27.75x8.75-14.5	24	TL	225K	21500	320	31175	58050	Aircraft Rib	461B-3537-TL	27.75	27.05	8.75	8.25	21.6	7.48	11.85	9.90	0.759	H27.75x8.75-14.5	6.00	14.5	1.20	2.35
28x9.0-14	22	TL	185K	18100	280	27150	54300	Aircraft Rib	461B-3140-TL	27.85	27.3	9.1	8.6	25.25	8	12	9.60	0.767	28x9.0-14	7.25	14	1.13	2.25
H29x9.0-15	16	TL	210	14500	196	21750	39200	Flight Leader	299K63-1	29	28.2	9	8.5	27.7	8.55	12.3	9.89	0.777	H29x9.0-15	6.00	15	0.95	2.15
29x11.0-10	10	TL	120	7070	60	10250	19100	Aircraft Rib	110T01-3	29	28.1	11	10.4	25.6	9.35	11.4	7.30	0.867	29x11.0-10	8.50	10	1.00	1.10
29x11.0-10	10	TL	210	7070	69	10605	21210	Aircraft Rib	110T03-1	29	28.1	11	10.4	25.6	9.35	11.39	7.30	0.867	29x11.0-10	8.50	10	1.00	1.40
30x9.5-14	16	TL	210	13700	177	20600	41100	Flight Leader	304K63-2	30	29	9.5	8.95	28.4	8.55	12.64	9.60	0.840	30x9.5-14	7.00	14	1.13	2.25
H30x9.5-16	16	TL	225	15350	202	23025	46050	Flight Leader	302K62B1	30	29.35	9.5	8.95	28.6	8.55	12.85	10.20	0.741	H30x9.5-16	6.25	16	1.10	2.20
30x11.50-14.5	24	TL	210K	25000	243	36250	67500	Aircraft Rib	301K45G1	29.75	28.75	11.5	11	27	10.1	12.5	10.30	0.656	30x11.5-14.5	9.75	14.5	1.25	2.75
30x11.50-14.5	24	TL	215K	25000	243	36250	67500	Aircraft Rib	461B-2573-TL 461B-3197-TL	29.75	28.75	11.5	11	27	10.1	12.5	10.30	0.656	30x11.5-14.5	9.75	14.5	1.25	2.75
30x11.50-14.5	26	TL	215K	25000	245	36250	67500	Aircraft Rib	461B-3204-TL	29.75	28.75	11.5	11	27	10.1	12.5	10.40	0.656	30x11.5-14.5	9.75	14.5	1.25	2.75
30x11.50-14.5	26	TL	220K	26600	265	38570	71800	Aircraft Rib	461B-3430-TL	29.75	28.75	11.5	11	27	10.1	12.5	10.40	0.656	30x11.5-14.5	9.75	14.5	1.25	2.75
H31x9.75-13	12	TL	190	9350	90	14020	24300	Flight Leader	319K28-1	31	30.1	9.75	9.2	27.71	8.3	12.39	8.80	0.925	26.5x8.0-13	6.50	13	1.00	2.05
31x9.75-14	12	TL	190	11100	115	16650	33300	Flight Leader	318K28-1	30.9	30.1	9.85	9.25	29.35	8.85	12.8	9.30	0.873	31x9.75-14	8.00	14	1.00	2.15
H31x13.0-12	20	TL	225	17200	155	25800	51600	Flight Leader	313K02-1	31	30.1	13	12.3	27.6	11.45	12.4	8.60	0.732	H31x13.0-12	8.00	12	1.20	2.70
32x11.5-15	12	TL	225	11200	120	16800	33600	Flight Leader DT	321K22-2	32	31.1	11.5	10.8	29	10.5	13.55	10.00	0.741	32x11.5-15	9.00	15	1.25	1.90
32x11.5-15	26	TL	210K	27800	290	41700	83400	Aircraft Rib	461B-3675-TL	32	31.45	11.5	10.9	29	10.5	12.8	10.50	0.747	32x11.5-15	9.00	15	1.25	3.00
32x10.75-14	12	TL	160	10200	85	14790	27500	Aircraft Rib	321R26T1	32.55	31.65	10.95	10.55	28.55	9.5	13.25	9.30	0.842	32x10.75-14	9.25	14	1.05	2.00
33.5x10.75-15	12	TL	160	12200	100	17690	32900	Flight Leader	331K26-2	33.5	32.65	10.75	10.14	30.2	9.14	13.69	9.80	0.865	33.5x10.75-15	8.00	15	1.00	1.90
34x9.25-16	18	TL	210	17800	190	26700	53400	Flight Eagle	348F83-2	34	33.15	9.25	8.75	30.75	8.14	14.35	10.69	0.976	32x8.8	7.00	16	1.13	2.00
H34x9.25-18	18	TL	225	19400	213	29100	52400	Flight Eagle	349K82-3	34	33.15	9.25	8.75	30.75	8.15	14.5	11.60	0.865	H34x9.25-18	6.00	18	1.20	2.40
34x10.75-16/10.50-16	10	TL	190	10870	80	15760	29300	Flight Leader	347K08T1	34.5	33.65	10.45	9.9	31.15	8.9	14.25	10.30	0.888	34x10.75-16	8.25	16	1.05	1.85
34x10.75-16/10.50-16	12	TL	190	13000	95	18850	35100	Flight Leader	347K28T1	34.45	33.65	10.45	9.8	31.1	8.85	14.3	10.50	0.888	34x10.75-16	8.25	16	1.05	1.85
34x10.75-16	16	TL	210	16500	145	24750	44550	Flight Leader	347K63-1	34.45	33.65	10.45	9.8	31.1	8.85	14.3	10.50	0.890	34x10.75-16	8.25	16	1.05	1.85
34x14.0-12	24	TL	174K	17300	155	25590	51900	Aircraft Rib	461B-3518-TL	34	32.6	14	13.2	30.5	12.35	13.69	9.19	0.782	34x14.0-12	11.00	12	1.38	3.00
34.5x9.75-18	26	TL	203K	32000	360	48000	96000	Aircraft Rib	461B-3440-TL	34.5	33.7	9.75	9.15	31.55	8.39	14.85	11.90	0.851	34.5x9.75-18	7.50	18	1.25	2.55
34.5x9.75-18	26	TL	225K	30100	340	45150	90300	Aircraft Rib	461B-3268-TL	34.5	33.7	9.75	9.15	31.55	8.4	14.85	11.90	0.851	34.5x9.75-18	7.50	18	1.25	2.55
H35x11.0-18	20	TL	225	23400	216	35100	63200	Flight Eagle	350K02-1	35	34.15	11	10.4	33.3	9.9	14.8	11.80	0.774	H35x11.0-18	7.00	18	1.20	2.80
35x11.5-16	22	TL	222K	23000	210	34500	69000	Aircraft Rib	461B-3418-TL	35	34.1	11.5	10.9	31.8	10.1	14.75	10.80	0.828	36x11	9.00	16	1.38	2.80
35x11.5-17	26	TL	240	28300	255	42450	76460	Aircraft Rib	461B-3912-TL	35	34.25	11.5	10.9	31.76	10.12	14.8	11.70	0.785	35x11.5-17	9.00	17	1.38	3.00
36x11.0-18	30	TL	227K	35800	305	53700	85150	Aircraft Rib	461B-3477-TL	35.8	34.9	10.4	9.85	34.1	9.35	15.25	12.40	0.856	36x11.0-18	8.50	18	1.75	3.20
H36x11.5-19	20	TL	225	24925	221	37400	67300	Flight Leader	363K02-1	36	35.25	11.5	10.9	34.3	10.35	15.3	12.40	0.740	H36x11.5-19	7.50	19	1.20	2.60

Three-Part Name Sizes

Size	CONSTRUCTION			SERVICE RATING				Tread Design / Trademark	Part Number	INFLATED DIMENSIONS						Static Loaded Radius (In)	Flat Tire Radius (In)	Aspect Ratio	WHEEL				
	Ply Rating	TT or TL	Rated Speed (MPH)	Rated Load (Lbs)	Rated Inflation (PSI)	Maximum Braking Load (Lbs)	Maximum Bottoming Load (Lbs)			Outside Diameter		Section Width		Shoulder					Wheel (Rim) Size	Width Between Flanges	Specified Rim Diameter	Flange Height	Min Ledge Width
										Max	Min	Max	Min	Diameter Max	Width Max								
H36x12.0-18	18	TL	225	21525	177	32300	58125	Flight Leader	362K82-1	36	35.2	12	11.35	34.2	10.8	15.2	11.80	0.753	H36x12.0-18	7.75	18	1.20	—
37x11.75-16	12	TL	190	13000	80	18850	35100	Flight Leader	371K28G1	37	36.1	11.75	11.15	33.25	10.35	15.05	10.30	0.897	37x11.75-16	9.25	16	1.00	1.63
37x14.0-14	24	TL	225	25000	160	37500	75000	Flight Leader	374F42-4	37	36.05	14	13.3	32.85	12.3	15.14	10.50	0.824	37x14.0-14	11.00	14	1.50	3.00
H37x14.0-15	22	TL	235	24100	165	36150	65000	Flight Leader	375K29-1	37	36.1	14	13.3	33.04	12.3	15.25	10.40	0.788	H37x14.0-15	9.00	15	1.30	2.80
H38x12.0-19	20	TL	210	25275	192	38000	68300	Flight Eagle	382K03-3	38	37.1	12	11.35	36.1	10.8	16	12.50	0.794	H38x12-19	7.75	19	1.30	2.73
H38x13.0-18	20	TL	225	25075	172	37625	67730	Flight Leader	383K02-1	38	37.15	13	12.3	36	11.7	15.8	11.80	0.770	H38x13.0-18	8.5	18	1.20	2.40
H40x14.0-19	20	TL	225	27100	166	39295	73200	Flight Leader	409K02-2	40	39.1	14	13.2	36.25	12	16.6	12.30	0.755	H40x14.0-19	9.00	19	1.20	2.50
H40x14.5-19	24	TL	225	33200	200	48140	89600	Flight Leader	419K42-3 419K42T1	40	39.1	14.5	13.75	36.25	12.8	16.64	12.70	0.726	H40x14.5-19	9.50	19	1.40	3.10
H40x14.5-19	26	TL	225	36800	220	53360	99360	Flight Leader	419K62-3 419K62T1 419K62T2	40	39.1	14.5	13.75	36.25	12.8	16.64	12.89	0.726	H40x14.5-19	9.50	19	1.40	3.10
40x15.5-16	28	TL	235	39500	195	57270	106600	Flight Leader	405K89-2	40	39.05	15.5	14.75	35.7	13.64	16.1	11.39	0.777	40x15.5-16	10.00	16	1.25	3.20
41x15.0-18	24	TL	225	31400	190	47100	94200	Flight Leader	415K42G6	41	40.05	15	14.25	36.9	13.19	17.2	12.50	0.769	41x15.0-18	12.75	18	1.63	3.00
H41x15.0-19	24	TL	225	33650	187	48800	90900	Flight Leader	416K42-1	41	40.1	15	14.25	38.79	13.5	17	12.90	0.736	H41x15.0-19	9.75	19	1.40	3.10
H42x16.0-19	26	TL	225	37800	190	56700	102100	Flight Leader	426K62-2	42	41.1	16	15.2	37.9	14.1	17.29	12.89	0.722	H40x14.5-19	9.50	19	1.40	3.10
43x16.0-20	28	TL	174K	38600	215	56900	115800	Aircraft Rib	461B-3517-TL	43	42.1	16	15.2	38.9	14.15	17.95	13.70	0.722	43x16.0-20	13.00	20	1.75	3.45
H43.5x16.0-21	26	TL	225	40600	210	60900	109600	Flight Leader	431K62-1	43.5	42.55	16	15.2	41.25	14.4	18.25	14.10	0.706	H44.5x16.5-21	10.50	21	1.60	1.24
44.5x16.5-18	30	TL	225	42500	195	63750	127500	Flight Leader	456F02-4	44.5	43.5	16.5	15.7	39.7	14.5	18.35	12.80	0.806	44x16	13.25	18	1.63	3.55
H44.5x16.5-20	28	TL	225	42800	195	64200	115600	Flight Leader	446K82-2	44.5	43.5	16.5	15.7	40.09	14.55	18.35	13.90	0.745	H44.5x16.5-20	10.50	20	1.60	3.50
H44.5x16.5-21	28	TL	225	44700	214	64800	121000	Flight Leader	441K82-1 441K82T1	44.5	43.5	16.5	15.7	42.2	14.8	18.5	13.50	0.714	H44.5x16.5-21	10.50	21	1.60	3.30
H44.5x16.5-21	28	TL	235	44700	214	64800	121000	Flight Leader	441K89-1	44.5	43.5	16.5	15.7	42.2	14.8	18.5	13.50	0.714	H44.5x16.5-21	10.50	21	1.60	3.30
H44.5x16.5-21	30	TL	235	48400	230	70180	130680	Flight Leader	441K09T1	44.5	43.5	16.5	15.7	42.2	14.8	18.5	13.50	0.714	H44.5x16.5-21	10.50	21	1.60	3.30
B46x16.0-23.5	30	TL	240K	53800	260	80700	161400	Aircraft Rib	461B-3355-TL	46	45.1	16	15.2	42.2	14.1	19.64	15.00	0.707	B46x16.0-23.5	10.50	23.5	1.25	3.15
H46x18.0-20	28	TL	225	44200	180	64100	119300	Flight Leader	468K82-2	46	45	18	17.15	41.29	15.85	18.85	13.60	0.725	H45x17.0-20	11.00	20	1.60	3.55
H46x18.0-20	32	TL	235	51100	205	74100	138000	Flight Leader	468K29-2	46	45	18	17.15	41.29	15.85	18.85	13.70	0.725	H45x17.0-20	11.00	20	1.60	3.80
49x18.0-22	30	TL	225	52235	219	78353	156705	Flight Leader	498FL2-1	49	48	18	17.15	46.3	16.2	20.6	15.00	0.754	49x18.0-22	13.75	22	1.88	3.75
49x19.0-20	32	TL	235	51900	195	77800	155700	Flight Leader	491K29-3 491K29T3	49	48	19	18.15	43.8	16.7	20.29	14.00	0.767	46x16	13.25	20	1.88	3.75
49x19.0-20	34	TL	235	55700	215	83550	167100	Flight Leader	491K49T2	49	48	19	18.15	43.8	16.7	20.29	14.00	0.767	46x16	13.25	20	1.88	3.75
49x19.0-20	34	TL	245	55700	215	83550	167100	Flight Leader	491K45G2	49	48	19	18.15	43.8	16.7	20.29	14.00	0.767	46x16	13.25	20	1.88	3.75
H49x19.0-22	24	TL	225	41000	155	61500	110700	Flight Leader	499K42T1	49	48	19	18.15	46.3	17.1	20.2	15.00	0.712	H49x19.0-22	12.00	22	1.70	3.95
H49x19.0-22	32	TL	235	56600	205	84900	152800	Flight Leader	499K29-3 499K29T1	49	48	19	18.15	46.29	17.1	20.2	15.00	0.712	H49x19.0-22	12.00	22	1.70	3.95
50x21.0-20	30	TL	225	49000	160	73500	132300	Flight Leader	501K02-1	50	49	21	20.05	44.59	18.5	20.2	13.90	0.718	46x16	13.25	20	1.75	3.60
52x20.5-20	36	TL	225	62500	200	93750	187500	Flight Leader	521K62-3	52	51	20.5	19.6	46.25	18.04	21.29	14.60	0.786	50x20.0-20	16.25	20	1.88	4.20
52x20.5-23	30	TL	235	63700	195	95500	172000	Flight Leader	520K09-7	52	51	20.5	19.6	46.8	18.05	21.29	15.10	0.711	52x20.5-23	13.00	23	1.50	3.25
54x21.0-23	36	TL	235	68500	223	102750	205500	Flight Leader	542K69-4	54	53	21	20.15	50.9	18.9	22.5	16.00	0.741	54x21.0-23	16.25	23	2.00	4.20
H54x21.0-24	36	TL	235	72200	212	104700	194900	Flight Leader ER	541K69-2	54	53	21	20.1	51	18.9	22.2	16.00	0.717	H54x21.0-24	13.00	24	1.80	4.25
56x20.0-20	24	TL	210	38500	110	57750	115500	Flight Leader	560F43-1	56	54.8	20	19.1	49.5	17.6	22.7	14.00	0.904	20.00-20	15.50	20	2.00	3.40

Type I

Size	CONSTRUCTION			SERVICE RATING				Tread Design / Trademark	Part Number	INFLATED DIMENSIONS						Static Loaded Radius (In)	Flat Tire Radius (In)	Aspect Ratio	WHEEL				
	Ply Rating	TT or TL	Rated Speed (MPH)	Rated Load (Lbs)	Rated Inflation (PSI)	Maximum Braking Load (Lbs)	Maximum Bottoming Load (Lbs)			Outside Diameter		Section Width		Shoulder					Wheel (Rim) Size	Width Between Flanges	Specified Rim Diameter	Flange Height	Min Ledge Width
										Max	Min	Max	Min	Diameter Max	Width Max								
27	10	TL	120	5500	70	7980	14800	Aircraft Rib	270A01B3	27.78	26.95	9.75	—	—	—	11.6	8.80	0.727	27	8.94	14	0.69	—

Type III

Size	CONSTRUCTION			SERVICE RATING				Tread Design / Trademark	Part Number	INFLATED DIMENSIONS						Static Loaded Radius (In)	Flat Tire Radius (In)	Aspect Ratio	WHEEL				
	Ply Rating	TT or TL	Rated Speed (MPH)	Rated Load (Lbs)	Rated Inflation (PSI)	Maximum Braking Load (Lbs)	Maximum Bottoming Load (Lbs)			Outside Diameter		Section Width		Shoulder					Wheel (Rim) Size	Width Between Flanges	Specified Rim Diameter	Flange Height	Min Ledge Width
										Max	Min	Max	Min	Diameter Max	Width Max								
5.00-4	6	TT	120	1200	55	1740	3200	Aircraft Rib	504C61-2	13.25	12.7	5.05	4.75	11.6	4.3	5.2	3.80	0.916	5.00-4	3.50	4	0.75	0.80
5.00-4	14	TL	120	2550	115	3700	6900	Aircraft Rib	504T41-2	13.25	12.7	5.05	4.75	11.6	4.3	5.2	4.00	0.916	5.00-4	3.50	4	0.75	1.10
5.00-4.5	6	TL	120K	1650	78	2390	4500	Twin Contact	545M6CB1	13.45	12.95	5.3	5	13.2	3.6	5.3	4.00	0.845	5.00-4.5	4.00	4.5	0.65	0.94
5.00-5	4	TT	120	800	31	1160	2200	Flight Special II	505C41-4	14.2	13.65	4.95	4.65	12.55	4.2	5.7	4.30	0.930	5.00-5	3.50	5	0.75	0.80
5.00-5	4	TT	160	800	31	1160	2200	Flight Custom III	505C46-4	14.2	13.65	4.95	4.65	12.55	4.2	5.7	4.30	0.930	5.00-5	3.50	5	0.75	0.80
5.00-5	6	TT	120	1285	50	1860	3500	Flight Special II	505C61-8	14.2	13.65	4.95	4.65	12.55	4.2	5.7	4.30	0.930	5.00-5	3.50	5	0.75	0.80
5.00-5	6	TT	160	1285	50	1860	3500	Flight Custom III	505C66-5	14.2	13.65	4.95	4.65	12.55	4.2	5.7	4.30	0.930	5.00-5	3.50	5	0.75	0.80
5.00-5	10	TT	120	2150	88	3120	5800	Flight Special II	505C01-2	14.2	13.65	4.95	4.65	12.55	4.2	5.7	4.30	0.930	5.00-5	3.50	5	0.75	0.80
5.00-5	10	TL	190	2150	88	3120	5800	Flight Eagle LT	505T08-1	14.2	13.65	4.95	4.65	12.55	4.2	5.7	4.30	0.930	5.00-5	3.50	5	0.75	0.80
6.00-6	4	TT	120	1150	29	1670	3100	Flight Special II	606C41-6	17.5	16.8	6.3	5.9	15.45	5.35	6.9	4.80	0.913	6.00-6	5.00	6	0.75	0.80
6.00-6	4	TT	120	1150	29	1670	3100	Flight Special II	606C41B1	17.5	16.8	6.3	5.9	15.45	5.35	6.9	4.80	0.913	6.00-6	5.00	6	0.75	0.80
6.00-6	4	TT	160	1150	29	1670	3100	Flight Custom III	606C46-6	17.5	16.8	6.3	5.9	15.45	5.35	6.9	4.80	0.913	6.00-6	5.00	6	0.75	0.80
6.00-6	6	TT	120	1750	42	2540	4700	Flight Special II	606C61-6 606C61B1	17.5	16.8	6.3	5.9	15.45	5.35	6.9	4.80	0.913	6.00-6	5.00	6	0.75	0.85
6.00-6	6	TT	160	1750	42	2540	4700	Flight Custom III	606C66-8	17.5	16.8	6.3	5.9	15.45	5.35	6.9	4.80	0.913	6.00-6	5.00	6	0.75	0.70
6.00-6	8	TT	120	2350	55	3410	6300	Flight Special II	606C81B1	17.5	16.8	6.3	5.9	15.45	5.35	6.9	4.80	0.913	6.00-6	5.00	6	0.75	0.60
6.00-6	8	TL	160	2350	55	3410	6300	Aircraft Rib	461B-2297-TL	17.5	16.8	6.3	5.9	15.45	5.35	6.9	4.80	0.913	6.00-6	5.00	6	0.75	0.90
6.00-6	8	TT	160	2350	55	3410	6300	Flight Special II	606C86-3	17.5	16.8	6.3	5.9	15.45	5.35	6.9	4.80	0.913	6.00-6	5.00	6	0.75	0.90
6.00-6	8	TT	160	2350	55	3410	6300	Flight Custom III	606C86-6	17.5	16.8	6.3	5.9	15.45	5.35	6.9	4.80	0.913	6.00-6	5.00	6	0.75	0.70
6.00-6	8	TL	160	2350	55	3410	6300	Flight Custom III	606T86-3	17.5	16.8	6.3	5.9	15.45	5.35	6.9	4.80	0.913	6.00-6	5.00	6	0.75	0.70
6.00-6.5/420x150	4	TT	120	1750	45	2540	4725	Aircraft Rib	607C41-2	17.3	16.8	5.9	5.6	15.25	5	6.95	4.90	0.916	6.00-6.5	3.79	6.5	0.72	0.75
6.50-8	6	TT	160	2300	51	3340	6200	Flight Custom III	658C66-2	19.85	19.15	6.9	6.35	17.7	5.85	8	5.90	0.867	6.50-8	5.25	8	0.81	0.95
6.50-8	8	TT	120	3150	75	4570	8500	Flight Special II	658C81-3	19.85	19.15	6.9	6.35	17.7	5.85	8	5.90	0.867	6.50-8	5.25	8	0.81	0.95
6.50-8	8	TL	139K	3150	75	4570	8500	Aircraft Rib	461B-2145-TL	19.85	19.15	6.9	6.35	17.7	5.85	8	5.90	0.867	6.50-8	5.25	8	0.81	0.95
6.50-8	8	TT	160	3150	75	4570	8500	Flight Custom III	658C86-4	19.85	19.15	6.9	6.35	17.7	5.85	8	5.90	0.867	6.50-8	5.25	8	0.81	0.95
6.50-8	8	TL	160	3150	75	4570	8500	Flight Custom III	658T86-3	19.85	19.15	6.9	6.35	17.7	5.85	8	5.90	0.867	6.50-8	5.25	8	0.81	0.95
6.50-10	6	TL	160	2770	60	4020	7500	Flight Custom III	650T66-3	22.1	21.35	6.65	6.25	19.9	5.65	9.1	6.90	0.908	6.50-10	4.75	10	0.81	0.95
6.50-10	8	TT	120	3750	80	5440	10100	Flight Special II	650C81-5	22.1	21.35	6.65	6.25	19.9	5.65	9.1	7.10	0.908	6.50-10	4.75	10	0.81	1.10
6.50-10	8	TT	160	3750	80	5440	10100	Flight Custom III	650C86-3	22.1	21.35	6.65	6.25	19.9	5.65	9.1	7.10	0.908	6.50-10	4.75	10	0.81	0.95
6.50-10	10	TT	160	4750	100	6890	12800	Flight Custom III	650C06-3	22.1	21.35	6.65	6.25	19.9	5.65	9.1	7.10	0.908	6.50-10	4.75	10	0.81	1.10
6.50-10	10	TL	160	4750	100	6890	12800	Aircraft Rib	650Y0A-1 461B-2058-TL	22.1	21.35	6.65	6.25	19.9	5.65	9.1	7.10	0.908	6.50-10	4.75	10	0.81	1.10
6.50-10	12	TL	160	5750	120	8340	15500	Flight Special II	650T26-2	22.1	21.35	6.65	6.25	19.9	5.65	9.1	7.10	0.908	6.50-10	4.75	10	0.81	1.10
6.50-10	14	TL	160K	7738	159	11600	23200	Aircraft Rib	650G4KG1	22.1	21.35	6.65	6.25	19.9	5.65	9.1	7.10	0.908	6.50-10	4.75	10	0.81	1.10
6.50-10	14	TL	174K	7738	159	11600	23200	Aircraft Rib	650G4EG1	22.1	21.35	6.65	6.25	19.9	5.65	9.1	7.10	0.908	6.50-10	4.75	10	0.81	1.10

Type III

Size	CONSTRUCTION			SERVICE RATING				Tread Design / Trademark	Part Number	INFLATED DIMENSIONS						Static Loaded Radius (In)	Flat Tire Radius (In)	Aspect Ratio	WHEEL				
	Ply Rating	TT or TL	Rated Speed (MPH)	Rated Load (Lbs)	Rated Inflation (PSI)	Maximum Braking Load (Lbs)	Maximum Bottoming Load (Lbs)			Outside Diameter		Section Width		Shoulder					Wheel (Rim) Size	Width Between Flanges	Specified Rim Diameter	Flange Height	Min Ledge Width
										Max	Min	Max	Min	Diameter Max	Width Max								
7.00-6	6	TT	120	1900	38	2760	5100	Flight Special II	706C61-4	18.75	18	7	6.45	16.45	5.95	7.3	4.80	0.920	6.00-6	5.00	6	0.75	0.70
7.00-6	6	TT	160	1900	38	2760	5100	Flight Custom III	706C66-3	18.75	18	7	6.45	16.45	5.95	7.3	4.80	0.920	6.00-6	5.00	6	0.75	0.70
7.00-6	8	TT	160	2550	54	3700	6900	Flight Custom III	706C86-3	18.75	18	7	6.45	16.45	5.95	7.3	4.80	0.920	6.00-6	5.00	6	0.75	0.90
7.00-6	10	TL	160	3600	73	5225	9700	Flight Custom II	706T01-1	18.75	18	7	6.45	16.45	5.95	7.3	4.80	0.920	6.00-6	5.00	6	0.75	0.90
7.00-8	10	TL	120	6750	126	10130	18230	Rib All Weather	708C01-1	21.36	20.1	7.59	6.84	18.97	6.45	8.4	5.90	0.882	7.00-8	5.50	8	0.81	1.30
7.00-8	16	TL	130K	6650	125	9640	18000	Aircraft Rib	461B-3294-TL	20.85	20.1	7.3	6.84	18.54	6.19	8.35	6.30	0.882	7.00-8	5.50	8	0.81	1.30
7.50-14	12	TL	160	8700	130	12620	23500	Aircraft Rib	754C26-2	27.75	27	7.65	7.19	25.29	6.5	11.64	9.10	0.901	7.50-14	5.50	14	0.81	1.65
8.00-4	4	TT	120	1100	24	1600	3000	Aircraft Rib	804C41-1	18	17.15	8.3	7.8	15.5	7.05	6.65	3.80	0.842	8.00-4	5.50	4	0.69	0.61
8.00-6	6	TT	120	2050	35	2970	5500	Flight Special II	806C61-5	19.5	18.75	7.95	7.35	17.04	6.75	7.55	4.80	0.857	6.00-6	5.00	6	0.75	0.85
8.00-6	8	TT	120	2800	48	4060	7600	Flight Special II	806C81-2	19.5	18.75	7.95	7.35	17.04	6.75	7.55	4.80	0.857	6.00-6	5.00	6	0.75	0.85
8.50-6	6	TL	120	2275	30	3300	6100	Aircraft Rib	856T61-1	22.1	21.15	8.85	8.3	19.2	7.5	8.39	5.00	0.911	8.50-6	6.00	6	0.88	0.90
8.50-10	8	TT	160	4400	55	6380	11900	Flight Custom III	850C86-2	25.65	24.7	8.7	8.2	22.79	7.4	10.19	6.90	0.898	8.50-10	6.25	10	0.81	1.35
8.50-10	8	TL	160	4400	55	6380	11900	Flight Custom III	850T86-2	25.65	24.7	8.7	8.2	22.79	7.4	10.19	6.90	0.898	8.50-10	6.25	10	0.81	1.35
8.50-10	10	Both	120	5500	70	7980	14800	Aircraft Rib	850H0A-1 461B-3332-TL	25.65	24.7	8.7	8.2	22.79	7.4	10.19	6.90	0.898	8.50-10	6.25	10	0.81	1.35
8.50-10	10	TL	160	5500	70	7980	14800	Flight Custom III	850T06-3	25.65	24.7	8.7	8.2	22.79	7.4	10.19	6.90	0.898	8.50-10	6.25	10	0.81	1.35
8.50-10	12	TL	139K	8000	100	11600	21600	Aircraft Rib	461B-3388-TL	25.65	24.7	8.7	8.2	22.79	7.4	10.19	7.10	0.898	8.50-10	6.25	10	0.81	1.50
8.50-10	14	TL	120	8700	110	12600	23500	Aircraft Rib	850G4A-1	25.65	24.7	8.7	8.2	22.79	7.4	10.19	7.10	0.898	8.50-10	6.25	10	0.81	1.15
8.50-10	16	TL	104K	9900	129	14900	26700	Flight Custom II	850G6A-1	25.65	24.7	8.7	8.2	22.79	7.4	10.19	7.59	0.898	8.50-10	6.25	10	1.13	—
8.90-12.50	6	TL	160	4300	50	6090	11300	Aircraft Rib	892C66B1	27.7	27.3	9	8.67	24.95	7.65	11.35	8.00	0.848	8.90-12.50	6.75	12.5	0.88	1.20
9.00-6	10	TL	120	4500	58	6530	12100	Aircraft Rib	906T06-1	22.4	21.4	9.25	8.55	19.45	7.84	8.5	5.10	0.893	9.00-6	6.75	6	0.88	1.45
9.25-12	8	TL	160	5600	60	8120	15100	Flight Leader	922C86T1	28.2	27.4	9.5	9	25.29	8.1	11.44	8.10	0.853	9.25-12	7.00	12	0.88	1.12
9.25-12/28x9.00-12	12	TL	160	8850	100	12800	23800	Aircraft Rib	982T26G1	28.3	27.4	9.4	8.9	25.35	8	11.39	8.00	0.865	28x9.0-12	6.63	12	0.75	1.50
11.00-12	10	TL	160	8200	60	11890	22100	Aircraft Rib	112T06-3	32.2	31	11.2	10.5	28.55	9.5	12.69	8.10	0.902	11.00-12	8.25	12	1.00	1.40
12.50-16	10	TL	160	10600	60	15370	28600	Aircraft Rib	126G06G1	38.45	37.5	12.75	12	34.4	10.85	15.6	10.50	0.888	12.50-16	10.00	16	1.25	1.80
12.50-16	12	TL	160	12800	75	18560	34600	Aircraft Rib	461B-1876-TL	38.45	37.5	12.75	12	34.4	10.85	15.6	10.90	0.888	12.50-16	10.00	16	1.25	1.90
15.00-12	14	TL	160	12700	65	18410	34300	Aircraft Rib	152T46-1	36.3	35.35	14.7	13.95	31.95	12.5	14.1	8.39	0.832	15.00-12	11.00	12	1.00	2.50
15.00-16	10	TL	160	12200	53	17690	32900	Aircraft Rib	156G06G1	42.4	41.4	15.3	14.4	37.65	13	16.8	10.60	0.871	15.00-16	11.25	16	1.19	1.75
15.00-16	16	TL	160	19700	80	28560	53200	Aircraft Rib	156T66G1	42.4	41.4	15.3	14.4	37.65	13	16.89	11.00	0.871	16.00-16	11.25	16	1.38	1.90
17.00-16	12	TT	160	16000	60	23200	43200	Aircraft Rib	176C26B1	45.05	43.7	17.4	16.35	39.79	14.8	17.7	11.00	0.841	17.00-16	13.25	16	1.38	2.00
20.00-20	26	TL	174K	46500	125	67420	125600	Aircraft Rib	461B-2598-TL	56	54.3	20.1	19.2	49.5	17.1	22.1	13.80	0.893	20.00-20	15.50	20	2.00	3.50

Type VII

Size	CONSTRUCTION			SERVICE RATING				Tread Design / Trademark	Part Number	INFLATED DIMENSIONS						Static Loaded Radius (In)	Flat Tire Radius (In)	Aspect Ratio	WHEEL				
	Ply Rating	TT or TL	Rated Speed (MPH)	Rated Load (Lbs)	Rated Inflation (PSI)	Maximum Braking Load (Lbs)	Maximum Bottoming Load (Lbs)			Outside Diameter		Section Width		Shoulder					Wheel (Rim) Size	Width Between Flanges	Specified Rim Diameter	Flange Height	Min Ledge Width
										Max	Min	Max	Min	Diameter Max	Width Max								
16x4.4	4	TL	210	1100	55	1650	3300	Flight Eagle	164F43-2	16	15.5	4.45	4.15	14.55	3.9	6.9	5.90	0.901	16x4.4	3.50	8	0.81	0.80
16x4.4	6	TT	160	1700	85	2550	5100	Aircraft Rib	164F66-2 461B-2494	16	15.5	4.45	4.15	14.55	3.9	6.9	5.90	0.901	16x4.4	3.50	8	0.81	0.80
16x4.4	6	TL	210	1700	85	2550	5100	Flight Eagle	164F63-1	16	15.5	4.45	4.15	14.55	3.9	6.9	5.90	0.901	16x4.4	3.50	8	0.81	0.90
16x4.4	6	TL	210	1700	85	2550	5100	Flight Eagle DT	164F63-2	16	15.5	4.45	4.15	14.55	3.9	6.9	5.90	0.901	16x4.4	3.50	8	0.81	0.90
16x4.4	10	TL	190	2900	155	4400	7800	Flight Eagle DDT	164F08-2	16	15.5	4.45	4.15	14.55	3.9	6.9	5.90	0.901	16x4.4	3.50	8	0.81	0.80
16x4.4	10	TL	210	2900	155	4400	7800	Flight Eagle DT	164F03-2	16	15.5	4.45	4.15	14.55	3.9	6.9	5.90	0.901	16x4.4	3.50	8	0.81	0.80
16x4.4	12	TL	190	3475	185	5213	10425	Flight Eagle	164F28-1	16	15.5	4.45	4.15	14.55	3.9	6.9	5.90	0.901	16x4.4	3.50	8	0.81	3.50
18x4.4	6	TL	174K	2100	100	3150	6300	Aircraft Rib	461B-2741-TL	17.9	17.4	4.45	4.15	16.5	3.9	7.9	6.90	0.889	18x4.4	3.50	10	0.81	1.05
18x4.4	6	TL	190	2100	100	3150	6300	Aircraft Rib DDT	184F68-1	17.9	17.4	4.45	4.15	16.5	3.9	7.9	6.90	0.889	18x4.4	3.50	10	0.81	1.05
18x4.4	10	TL	190	3550	185	5320	10600	Aircraft Rib DDT	184F08-1	17.9	17.4	4.45	4.15	16.5	3.9	7.9	7.10	0.889	18x4.4	3.50	10	0.81	1.25
18x4.4	10	TL	210	3550	185	5320	10600	Flight Eagle DT	184F03-2	17.9	17.4	4.45	4.15	16.5	3.9	7.9	7.10	0.889	18x4.4	3.50	10	0.81	1.25
18x4.4	10	TL	210	3550	185	5320	10600	Aircraft Rib DDT	184F10-2	17.9	17.4	4.45	4.15	16.5	3.9	7.9	7.10	0.889	18x4.4	3.50	10	0.81	1.25
18x4.4	10	TL	210	3550	185	5320	10600	Aircraft Rib DDT	184F13-5	17.9	17.4	4.45	4.15	16.5	3.9	7.9	7.10	0.889	18x4.4	3.50	10	0.81	1.25
18x4.4	12	TL	210	4350	225	6520	13000	Flight Eagle DT	184F23-2	17.9	17.4	4.45	4.15	16.5	3.9	7.9	7.00	0.889	18x4.4	3.50	10	0.81	1.25
18x4.4	12	TL	210	4350	225	6520	13000	Aircraft Rib DT	184F23-4	17.9	17.4	4.45	4.15	16.5	3.9	7.9	7.00	0.889	18x4.4	3.50	10	0.81	1.25
18x5.5	8	TT	120	3050	105	4570	9200	Flight Special II	185F81-1	17.9	17.3	5.75	5.35	16.2	5	7.5	5.90	0.869	18x5.5	4.25	8	0.88	1.25
18x5.5	8	TL	139K	3050	105	4570	9200	Aircraft Rib	461B-3075-TL	17.9	17.3	5.75	5.35	16.2	5	7.5	5.90	0.869	18x5.5	4.25	8	0.88	1.25
18x5.5	8	TL	190	3050	105	4570	9200	Flight Eagle	185F88-6	17.9	17.3	5.75	5.35	16.2	5	7.5	5.90	0.869	18x5.5	4.25	8	0.88	1.25
18x5.5	8	TL	210	3050	105	4570	9200	Flight Leader	185F83G1	17.9	17.3	5.75	5.35	16.2	5	7.5	5.90	0.869	18x5.5	4.25	8	0.88	1.25
18x5.5	10	TL	210	4000	140	6000	12000	Flight Eagle	185F03-5	17.9	17.3	5.75	5.35	16.2	5	7.5	6.10	0.869	18x5.5	4.25	8	0.88	1.25
18x5.5	10	TL	210	4000	140	6000	12000	Flight Leader DT	185K03-1	17.9	17.3	5.75	5.35	16.2	5	7.5	6.10	0.869	18x5.5	4.25	8	0.88	1.25
18x5.5	14	TL	239K	6200	215	9300	18600	Aircraft Rib	185P4HG1	17.9	17.3	5.75	5.35	16.2	5	7.5	6.30	0.869	18x5.5	4.25	8	0.88	1.50
20x4.4	14	TL	255	6500	265	9750	19500	Aircraft Rib	461B-3779-TL	20	19.5	4.45	4.15	19.45	3.95	8.9	8.10	0.901	20x4.4	3.50	12	0.81	1.28
22x5.5	12	TL	174K	7100	235	10650	21300	Rib All Weather	461B-3247-TL	22.15	21.55	5.7	5.35	21.3	4.95	9.65	8.30	0.890	22x5.5	4.25	12	0.88	1.45
24x5.5	12	TL	139K	8070	250	12110	24200	Rib All Weather	461B-3246-TL	24.15	23.55	5.7	5.35	23.3	4.95	10.65	9.10	0.887	24x5.5	4.25	14	0.88	1.38
24x5.5	16	TT	174K	11500	355	17250	34500	Rib All Weather	461B-2482-AS	24.15	23.55	5.7	5.35	23.3	4.95	10.65	9.50	0.887	24x5.5	4.25	14	0.88	1.38
26x6.6	10	TL	225	6900	155	10350	20700	Flight Leader DT	266F02-6	25.75	25.05	6.65	6.25	23.55	5.85	11.2	9.30	0.884	26x6.6	5.00	14	1.00	1.40
26x6.6	12	TL	225	8600	185	12900	25800	Flight Leader	266F22-3	25.75	25.05	6.65	6.25	23.55	5.85	11.2	9.40	0.884	26x6.6	5.00	14	1.00	1.70
26x6.6	14	TL	210	10000	225	15000	30000	Flight Eagle	266F43-2	25.75	25.05	6.65	6.25	23.55	5.85	11.2	9.39	0.884	26x6.6	5.00	14	1.00	1.70
24x7.7	6	TL	190	2950	55	4420	8800	Flight Leader	247F68G1	24.15	23.3	7.65	7.2	21.5	6.75	10	7.00	0.924	24x7.7	5.50	10	0.91	1.25
24x7.7	8	TL	160	4150	75	6220	12500	Flight Leader	247F86T1	24.15	23.3	7.65	7.2	21.5	6.75	10	7.00	0.924	24x7.7	5.50	10	0.91	1.25
24x7.7	10	TL	225	5400	90	8100	16200	Flight Leader DT	247F02G1	24.15	23.3	7.65	7.2	21.5	6.75	10	7.20	0.924	24x7.7	5.50	10	0.91	1.25
24x7.7	12	TL	225	6800	110	10200	20400	Flight Leader	247F22-1	24.15	23.3	7.65	7.2	21.5	6.75	10	7.30	0.924	24x7.7	5.5	10	0.91	1.25
24x7.7	12	TL	225	6800	110	10200	20400	Flight Leader DT	247F22T1	24.15	23.3	7.65	7.2	21.5	6.75	10	7.30	0.924	24x7.7	5.50	10	0.91	1.25
24x7.7	14	TL	190	8200	135	12300	24600	Flight Leader	247F48-3	24.15	23.3	7.65	7.2	21.5	6.75	10	7.40	0.924	24x7.7	5.50	10	0.91	1.60
24x7.7	14	TL	217K	8200	135	12300	24600	Aircraft Rib	461B-2681-TL	24.15	23.3	7.65	7.2	21.5	6.75	10	7.40	0.924	24x7.7	5.50	10	0.91	1.60
24x7.7	16	TL	210	9725	165	14590	29200	Flight Leader	247F63-3 247F63T2	24.15	23.3	7.65	7.2	21.5	6.75	10	7.50	0.924	24x7.7	5.50	10	0.91	1.70
24x7.7	16	TL	225	9725	165	14590	29200	Flight Leader	247F62-1	24.15	23.3	7.65	7.2	21.5	6.75	10	7.50	0.924	24x7.7	5.50	10	0.91	1.70
28x7.7	14	TL	174K	11000	195	16500	33000	Aircraft Rib	461B-3356-TL	27.4	26.6	7.85	7.4	24.9	6.95	11.75	9.30	0.851	28x7.7	6.00	14	1.00	1.75
24.5x8.5	10	TL	210	5700	85	8550	17100	Flight Leader DT	248F03T1	24.5	23.75	8.5	8	21.89	7.5	10.05	7.20	0.856	8.50-10	6.25	10	0.81	1.35
24.5x8.5	12	TL	160	6900	90	10000	18600	Flight Leader	248P26G1	24.5	23.75	8.5	8	21.9	7.5	9.85	7.09	0.856	8.50-10	6.25	10	0.81	1.35
30x8.8	16	TL	225	14200	199	21300	42600	Flight Leader	309F62G1	30.3	29.5	8.9	8.3	27.35	7.85	12.94	10.10	0.865	30x8.8	7.00	15	1.13	2.25
32x8.8	14	TL	210	13000	170	19500	39000	Flight Leader	328F43G1	31	30.05	8.9	8.35	28.05	7.9	13.3	10.40	0.842	32x8.8	7.00	16	1.13	1.75
34x11	22	TL	225	20500	185	30750	61500	Flight Leader	341F22-2	33.4	32.6	11.3	10.6	29.9	9.94	13.94	10.10	0.867	34x11	9.00	14	1.50	2.70
36x11	22	TL	190	23300	200	34950	69900	Aircraft Rib	461B-3383-TL	35.1	34	11.5	10.8	31.65	10.1	14.75	11.19	0.832	36x11	9.00	16	1.38	2.90
36x11	24	TL	201	26500	235	39750	79500	Aircraft Rib	461B-3219-TL	35.1	34	11.5	10.8	31.65	10.1	14.75	11.00	0.832	36x11	9.00	16	1.38	2.80

Type VII

Size	CONSTRUCTION			SERVICE RATING				Tread Design / Trademark	Part Number	INFLATED DIMENSIONS						Static Loaded Radius (In)	Flat Tire Radius (In)	Aspect Ratio	WHEEL				
	Ply Rating	TT or TL	Rated Speed (MPH)	Rated Load (Lbs)	Rated Inflation (PSI)	Maximum Braking Load (Lbs)	Maximum Bottoming Load (Lbs)			Outside Diameter		Section Width		Shoulder					Wheel (Rim) Size	Width Between Flanges	Specified Rim Diameter	Flange Height	Min Ledge Width
										Max	Min	Max	Min	Diameter Max	Width Max								
39x13	14	TL	210	15000	100	22500	45000	Flight Leader	393F43-1	38.25	37.3	13	12.25	34.25	11.44	15.8	10.69	0.861	12.50-16	10.00	16	1.25	2.20
39x13	16	TL	195K	17200	115	25800	51600	Aircraft Rib	461B-2787-TL	38.25	37.3	13	12.25	34.25	11.44	15.8	11.00	0.861	12.50-16	10.00	16	1.25	2.30
39x13	16	TL	225	17200	115	25800	51600	Flight Leader	393F62G5 393F62T2	38.25	37.3	13	12.25	34.25	11.44	15.8	11.00	0.861	12.50-16	10.00	16	1.25	2.30
39x13	18	TL	210	19400	130	29100	58200	Flight Leader	393F83-1	38.25	37.3	13	12.25	34.25	11.45	15.8	11.00	0.861	12.50-16	10.00	16	1.38	2.30
39x13	24	TL	210	27400	188	41100	82200	Flight Leader	393F53-1	38.25	37.3	13	12.25	34.25	11.44	15.85	11.00	0.861	12.50-16	10.00	16	1.38	2.80
40x14	16	TL	210	17300	105	25950	51900	Flight Leader	404F63T2	39.8	38.85	14	13.25	35.09	12	16.45	10.30	0.856	40x14	11.00	16	1.63	2.40
40x14	24	TL	225	27700	170	41500	83100	Flight Leader	404F42T2	39.8	38.85	14	13.25	35.09	12	16.45	10.60	0.856	40x14	11.00	16	1.63	2.95
40x14	28	TL	174K	33500	200	50250	100500	Aircraft Rib	461B-3208-TL	39.8	38.85	14	13.25	35.09	12	16.45	10.80	0.856	40x14	11.00	16	1.63	3.10
44x16	30	TL	225	41700	210	62550	125100	Flight Leader	446F02-4	43.25	42.3	16	15.05	38.2	13.7	17.95	12.80	0.797	44x16	13.25	18	1.63	3.40
46x16	28	TL	195K	41800	210	62700	125400	Flight Leader ER	461B-3562-TL	45.25	44.3	16	15.05	40.7	14.1	19	13.70	0.797	46x16	13.25	20	1.75	3.25
46x16	28	TL	225	41800	210	62700	125400	Flight Leader	466F82T6 466F02-6	45.25	44.3	16	15.05	40.7	14.1	19	13.70	0.797	46x16	13.25	20	1.75	3.25
46x16	30	TL	225	44800	225	67200	134400	Flight Leader	461B-3393-TL 466F02T5	45.25	44.3	16	15.05	40.7	14.1	19	14.00	0.797	46x16	13.25	20	1.88	3.40
46x16	32	TL	225	48000	245	72000	144000	Flight Leader	466F22G1	45.25	44.3	16	15.05	40.7	14.1	19	14.00	0.797	46x16	13.25	20	1.88	3.40
49x17	26	TL	174K	39600	170	59400	118800	Aircraft Rib	461B-3505-TL	48.75	47.7	17.25	16.4	43	14.5	20.14	13.40	0.838	46x16	13.25	20	1.75	3.25
49x17	26	TL	195K	39600	170	59400	118800	Aircraft Rib	461B-2688-TL	48.75	47.7	17.25	16.4	43	14.5	20.14	13.40	0.838	46x16	13.25	20	1.75	3.25
49x17	30	TL	225	46700	195	70050	140100	Flight Leader	497F02-7 497F02T6	48.75	47.7	17.25	16.4	43	14.5	20.2	14.40	0.838	46x16	13.25	20	1.88	3.50
49x17	32	TL	235	50400	210	75600	151200	Flight Leader	497F29-3 497F29T1	48.75	47.7	17.25	16.4	43	14.5	20.2	14.00	0.838	46x16	13.25	20	1.88	3.65
56x16	38	TL	217K	76000	315	114000	228000	Aircraft Rib	461B-2403-TL	55.9	54.8	16.2	15.5	50.84	14.26	24	18.80	0.862	56x16	12.75	28	2.25	4.60

Metric

Size	CONSTRUCTION			SERVICE RATING				Tread Design / Trademark	Part Number	INFLATED DIMENSIONS						Static Loaded Radius (In)	Flat Tire Radius (In)	Aspect Ratio	WHEEL				
	Ply Rating	TT or TL	Rated Speed (MPH)	Rated Load (Lbs)	Rated Inflation (PSI)	Maximum Braking Load (Lbs)	Maximum Bottoming Load (Lbs)			Outside Diameter		Section Width		Shoulder					Wheel (Rim) Size	Width Between Flanges	Specified Rim Diameter	Flange Height	Min Ledge Width
										Max	Min	Max	Min	Diameter Max	Width Max								
380x150/15x6.0-6	6	TT	120	1600	45	2320	4300	Aircraft Rib	385M61-1	15.2	14.72	5.91	5.59	13.4	5.3	5.9	4.09	0.865	380x150	3.75	5	0.51	—
450x190-5	10	TL	190	3600	75	5400	10800	Flight Leader	459M08-2	18.31	17.52	7.68	7.28	15.94	6.88	7.09	4.30	0.850	450x190-5	6.30	5	0.71	1.38
450x190-5	10	TL	230	3822	90	5730	11500	Aircraft Rib	459M09B1 461B-2987-TL	18.11	17.32	7.72	7.24	15.87	6.81	7.05	4.50	0.850	450x190-5	6.30	5	0.71	1.38
450x190-5	22	TL	233	8880	225	13320	26640	Aircraft Rib	459M23B1 461B-3836-TL	18.11	17.32	7.72	7.24	15.87	6.81	7.15	5.09	0.850	450x190-5	6.30	5	0.95	2.60
605x155-13	10	TL	233	6610	164	9580	17800	Aircraft Rib	605M09G1	24.13	23.38	6.46	6.01	22.28	5.82	10.3	8.60	0.861	605x155-13	5.43	13	0.80	1.58
615x225-10	12	TL	244	8000	123	12000	24000	Aircraft Rib	612M2GG1	24.61	23.82	9.06	8.66	21.26	7.68	10.24	7.20	0.802	615x225-10	7.87	10	0.89	1.58
670x210-12	10	TL	160	6800	95	9860	18400	Aircraft Rib	670M06-2	26.77	25.79	8.46	7.86	24.09	7.44	10.89	7.90	0.874	670x210-12	6.93	12	0.79	2.05
670x210-12	18	TL	200K	13700	205	20550	41100	Aircraft Rib	670M8FB1	26.77	25.79	8.46	7.86	24.2	7.48	11.1	8.10	0.874	670x210-12	6.93	12	0.80	2.05
750x230-15	14	TL	262	13151	152	19730	39500	Aircraft Rib	753M47G2	29.96	29.09	9.33	8.77	27.2	8.14	12.75	10.10	0.801	750x230-15	7.00	15	0.95	2.16
750x230-15	22	TL	257	15620	232	23430	46900	Aircraft Rib	753M25G3	29.96	29.09	9.33	8.77	27.2	8.14	12.75	10.19	0.801	750x230-15	7.00	15	0.95	2.16

Radial

Size	CONSTRUCTION			SERVICE RATING				Tread Design / Trademark	Part Number	INFLATED DIMENSIONS (IN)				STATIC LOADED RADIUS (IN)		WHEEL (IN)				
	Ply Rating	TT or TL	Speed Rating (MPH)	Rated Load (Lbs)	Rated Inflation (PSI)	Maximum Braking Load (Lbs)	Maximum Bottoming Load (Lbs)			OUTSIDE DIAMETER	SECTION WIDTH	SHOULDER		Grown Min	Grown Max	Wheel (Rim) Size	Width Between Flanges	Specified Rim Diameter	Flange Height	Min Ledge Width
												Dia Max	Width Max							
20x4.4R12	14	TL	255	6,500	265	9,750	14,000	Flight Radial	461B-3946-TL	20.40	4.65	19.80	4.10	8.85	9.15	20x4.4	3.50	12.0	0.812	1.30
23.5x8.0R12	14	TL	190	9,475	212	14,150	28,275	Flight Radial	235Q48-2	24.25	8.35	23.00	7.50	10.10	10.55	23.5x8.0-12	6.25	12.0	1.00	1.00
25.5x8.0R14	20	TL	217K	16,200	310	23,500	36,500	Flight Radial	461B-3917-TL AP-92-053M1	26.20	8.32	23.70	7.11	10.94	11.35	25.5x8.0-14	5.75	14.0	1.00	2.10
25.5x8.0R14	20	TL	250	16,200	310	23,500	36,500	Flight Radial	461B-3833-TL	26.20	8.32	23.70	7.11	10.94	11.35	25.5x8.0-14	5.75	14.0	1.00	1.22
26x6.6R14	14	TL	210	10,000	210	15,000	30,000	Flight Radial	266Q43-3	26.32	6.92	24.02	6.08	11.15	11.60	26x6.6	5.00	14.0	1.00	1.70
26x6.6R14	14	TL	225	10,000	225	15,000	30,000	Flight Radial	266Q42-1	26.32	6.92	24.02	6.08	11.15	11.60	26x6.6	5.00	14.0	1.00	1.70
26x7.75R13	10	TL	230	8,100	125	12,150	21,200	Flight Radial	461B-3598-TL	27.36	8.32	24.47	7.54	10.60	11.39	26x7.75-13	6.50	13.0	0.70	1.60
27x7.75R15	12	TL	225	9,650	200	14,475	28,950	Flight Radial	275Q22-1	27.70	8.10	25.40	7.15	11.75	12.20	29x7.7	6.00	15.0	1.00	1.65
27x7.75R15	12	TL	235	9,650	200	14,475	28,950	Flight Radial	275Q29-1	27.70	8.10	25.40	7.15	11.75	12.20	29x7.7	6.00	15.0	1.00	1.65
27.75x8.75R14.5	24	TL	225	22,200	330	31,175	58,050	Flight Radial	461B-3790-TL 461B-3792-TL	28.68	9.19	25.31	7.85	11.85	12.30	H27.75x8.75-14.5	6.00	14.5	1.20	2.35
27.75x8.75R14.5	24	TL	225K	22,200	330	31,175	58,050	Flight Radial	461B-3568-TL	28.68	9.19	25.31	7.85	11.85	12.30	H27.75x8.75-14.5	6.00	14.5	1.20	2.35
27.75x8.75R14.5	24	TL	250K	22,200	330	31,175	58,050	Flight Radial	461B-3816-TL	28.68	9.19	25.31	7.85	11.85	12.30	H27.75x8.75-14.5	6.00	14.5	1.20	2.35
30x8.8R15	16	TL	225	14,200	199	21,300	42,680	Flight Radial	309Q62-1	31.10	9.30	29.50	8.30	12.90	13.50	30x8.8	7.00	15.0	1.13	2.10
30x11.50R14.5	24	TL	205K	27,600	335	41,400	74,525	Flight Radial HH	461B-3708-TL	30.75	11.96	27.82	10.50	12.00	12.65	30x11.5-14.5	9.75	14.5	1.25	1.25
30x11.50R14.5	24	TL	205K	25,000	243	36,250	67,500	Flight Radial	461B-3924-TL	30.75	11.96	27.82	10.50	12.00	12.65	30x11.5-14.5	9.75	14.5	1.25	2.75
32x8.8R16	12	TL	190	11,000	140	16,500	29,700	Flight Radial	328Q28-2 346Q48-1 346Q48-4	31.80	9.25	28.70	8.53	12.40	13.15	32x8.8	7.00	16.0	1.13	1.65
H34x10.0R16	14	TL	190	13,400	130	20,100	36,180	Flight Radial	461B-3607-TL	34.85	10.40	32.95	9.35	14.00	14.75	32x8.8	7.00	16.0	1.13	2.15
36x11.0R18	30	TL	227	35,800	305	53,700	96,660	Flight Radial	461B-3607-TL	36.75	10.92	35.25	8.08	15.25	15.90	36x11.0-18	8.50	18.0	1.75	3.20
H37.5x12.0R19	20	TL	225	25,600	212	38,400	69,120	Flight Radial	379Q02-1	39.10	12.50	37.05	11.25	15.80	16.50	H37.5x12.0R19	7.75	19.0	1.33	1.52
40x16.0R16	26	TL	235	31,475	180	47,225	94,400	Flight Radial	403Q69-1	41.45	16.65	38.90	15.00	16.50	17.40	40x16.0R16	12.50	16.0	1.75	1.95
42x17.0R18	26	TL	235	36,100	194	54,150	108,300	Flight Radial	427Q69-1	43.50	17.70	40.95	15.95	17.42	18.32	42x17.0-18	14.00	18.0	1.63	2.00
H44.5x16.5R21	30	TL	235	48,400	230	70,180	130,680	Flight Radial	441Q09-1	45.95	17.15	43.50	15.40	18.14	19.15	H44.5x16.5-21	10.50	21.0	1.60	3.30
46x17.0R20	30	TL	225	46,000	222	69,000	138,000	Flight Radial	467Q02-3	47.50	17.70	44.75	15.95	19.20	20.14	46x16	13.25	20.0	1.88	3.70
50x20.0R22	32	TL	235	57,100	220	85,650	171,300	Flight Radial	502Q29-1	51.75	20.80	48.80	18.75	20.83	21.90	50x20.0R22	15.00	22.0	1.88	2.35
50x20.0R22	34	TL	235	61,525	235	97,550	184,600	Flight Radial	502Q49-1	51.75	20.80	48.80	18.75	20.83	21.90	50x20.0R22	15.00	22.0	1.88	2.35
52x21.0R22	36	TL	235	66,500	227	99,750	199,500	Flight Radial	522Q69-1	53.85	21.85	50.70	19.70	21.60	22.75	52x21.0R22	16.00	22.0	2.13	3.75
52x21.0R22	36	TL	245	66,500	227	99,750	199,500	Flight Radial	522Q65-1	53.85	21.85	50.70	19.70	21.60	22.75	52x21.0R22	16.00	22.0	2.13	3.75



Section 4

DATA SECTION—TUBES AND VALVES

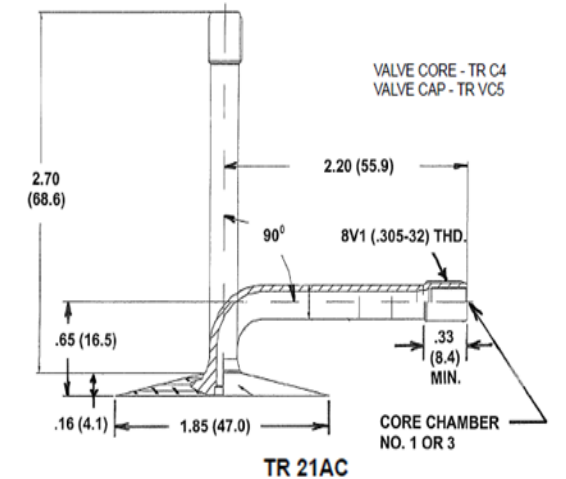
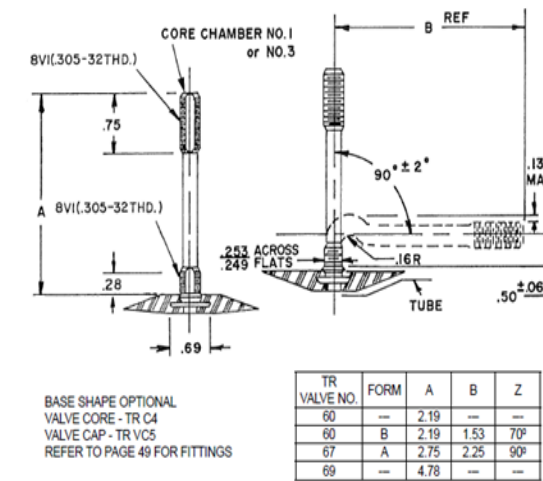
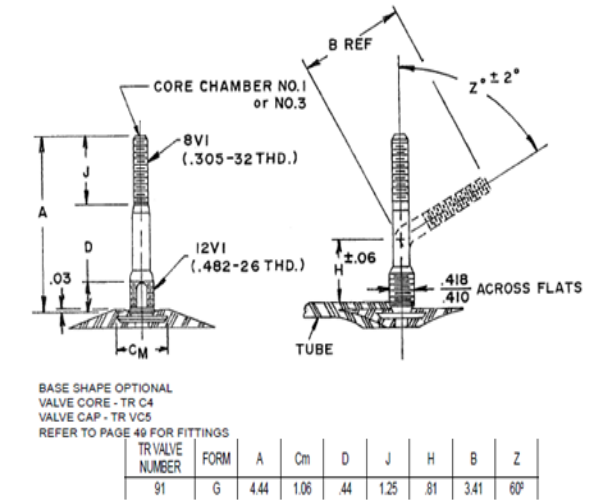
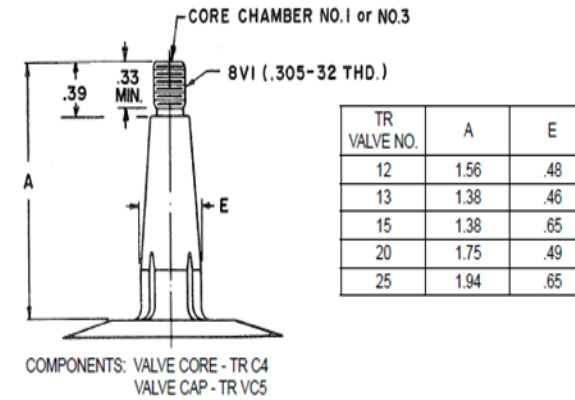
GOODYEAR AIRPLANE INNERTUBES ARE MANUFACTURED TO RIGID STANDARDS

- Meets or exceeds all commercial and military performance requirements.
 - Meets MIL-I-5014 military specification except for packaging.
All tubes are individually wrapped in .005mm gauge clear plastic and cardboard boxed in various quantities.
- Made from natural rubber which offers long life and meets cold temperature performance requirements.
- Factory balanced. The heavy spot is marked with a yellow stripe. If it does not have a stripe the valve is considered the heavy spot.
- The valve stem, core and cap are manufactured by Schrader International for aircraft use.
 - Designed for high and low pressure requirements
High Pressure Cap=Metal (MS20813-1)
Low Pressure Cap=Plastic

Tube Size	Corresponding Tire Size(s)	Valve Type(s)	NOMINAL TUBE SIZE			Gross Weight (Lbs)	VALVE	
			OD	Width	Wheel Dia		Shape	Location
5.00-4	5.00-4	TR 67, 21AC	13	5.00	4	1	B90°	0
5.00-5	5.00-5, G380x150-5, 15x6.00-5	TR 67, 21AC	13	5.00	5	1	B90°	0
6.50-10	6.50-10	TR 25	22	6.50	10	2	STR	.75"
7.00/8.00-6	7.00-6, 8.00-6	TR 20	18	7.00	6	2	STR	1.0"
8.50-6	8.50-6	TR 20	21.5	8.50	6	3	STR	1.12"
7.50/8.50-10	7.50-10, 8.50-10	TR 25	23	7.50	10	3	STR	.8"
8.90-12.50	7.50-10, 8.50-10, 29x11.0-10* (7.50-10 Wheel only)	TR 25	27.5	8.90	12.5	6	STR	1.7"
11.00-12	11.00-12	TR 13	31.5	11.00	12	7	STR	1.8"
G15/6.00-6	15x6.00-6	TR 67	15	6.00	6	1	B90°	1.0"
G15/6.00-6	6.00-6, 15x6.00-6	TR 20	15	6.00	6	1	STR	1.0"
17.00-16	17.00-16	TR 91	45	17.00	16	14	B90°	2.75"
G19.5x6.75-8	6.50-8, 19.5x6.75-8, 22x8.0-8	TR 15	19.5	6.50	8	2	STR	.6"

- Note:
1. For multiple tire sizes listed, the tube is designed to fit correctly in all identified sizes. Some tube stretch is required for maximum performance.
 2. The nominal tube size reflects the minimum inflated outside tire dimensions and wheel diameter in which the tube will properly operate. (O.D. =outside diameter at center line, width = overall tire width at the widest point, wheel dia = nominal diameter of wheel, tire bead, and tube opening).
 3. Valve Shape: B = Bent, STR = Straight.
 4. Valve location is the distance the centerline of the valve is located from the centerline of the tube.

Tube Valve Types and Technical Data



Section 5

APPLICATION CHARTS

The application information presented within this manual is based on the most current information available and is intended for use as a **GENERAL REFERENCE ONLY**. Any inquiries regarding specific model aircraft should be directed to the applicable airframe manufacturer. Your requirements may vary depending upon the actual configuration of your aircraft. All Goodyear tires are manufactured in accordance with TSO-C62, MIL-T-5041, AIR8505A and/or applicable airframe manufacturer specifications. Additionally, all tire sizes included in this manual may not necessarily be available from Goodyear. Contact your Goodyear Representative for specific tire information and availability.

FAILURE TO MAKE VERIFICATION WITH THE AIRCRAFT MANUFACTURER AND INSTALLING UNAPPROVED TIRES ON AN AIRCRAFT MAY RESULT IN TIRE FAILURE CAUSING PROPERTY DAMAGE, SERIOUS INJURY, OR LOSS OF LIFE.

GENERAL AVIATION/BUSINESS AIRCRAFT

LEGEND

- Tires are low speed unless designated.
- Tires are tube-type unless otherwise indicated.
- Consult aircraft manual for individual tire pressure.

CODE:

TL=Tubeless DT = Deflector Type
 SC=Smooth Contour DDT=Dual Deflector Type



MANUFACTURER	MODEL	NAME	MAIN TIRE		AUXILIARY TIRE	
			TIRE SIZE	PLY RATING	TIRE SIZE	PLY RATING
Aero Commander	500	Twin Commander	8.50-10	8 TL	6.00-6	6
	500S	Shrike Commander	8.50-10	8 TL	6.00-6	6
	520, 560	Twin Commander	8.50-10	6/8 TL	6.00-6	6
	680, 720	Twin Commander	8.50-10	8 TL	6.00-6	6
Aeronca	Model 7	Champ	6.00-6	4	6x2.00 2.80/2.50-4	—
	Model 11	Chief	6.00-6 7.00-6	4	6x2.00 2.80/2.50-4	—
Aerospatiale	SN 601	Corvette	26x6.6	10 TL	17.5x6.25-6DDT	8 TL
Air Tractor	AT-300 thru 401A		8.50-10	8	5.00-5	6
	AT-401B		8.50-10 29x11.0-10	8 10	5.00-5	6
	AT-402		29x11.0-10	10	5.00-5	6
	AT-502, 504		29x11.0-10	10	5.00-5	6
	AT-602		29x11.0-10	10	17.5x6.25-6	10 TL
	AT-802		11.00-12	10 TL	17.5x6.25-6	10 TL
Airbus	ACJ318/319/320		46x17.0R20	30 TL	30x8.8R15	16 TL
	ACJ321		49x18.0-22	30 TL	30x8.8R15	16 TL
American Champion Aircraft	8GCBC	Scout	8.50-6	4/6	2.80/2.50-4	4
	7ECA, 7GCAA, 7GCBC, 7KCAB	Citabria	6.00-6 7.00-6 8.00-6	4/6	2.80/2.50-4	4
	8KCAB	Decathlon Super Decathlon	6.00-6 7.00-6 8.00-6	4/6	2.80/2.50-4	4
			6.00-6 8.00-6 26x10.5-6	4/6 4/6 6	Solid	—
Aviat	A-1, 1A, 1B, 1C	Husky	6.00-6 8.00-6 8.50-6 26x10.5-6	4/6 4/6 4/6 6	Solid	—
	S-1, S-2	Pitts Special	5.00-5	6	Solid	—
Ayres (Snow, Rockwell)	S-2R	Thrush	8.50-10 29x11.0-10	10	12.5x4.5	10
	S-2R-T	Thrush	29x11.0-10	10	12.5x4.5	10
BAe	HS-125	—	23x7.0-12	12 TL	18x4.25-10 DT	6 TL



MANUFACTURER	MODEL	NAME	MAIN TIRE		AUXILIARY TIRE	
			TIRE SIZE	PLY RATING	TIRE SIZE	PLY RATING
Beechcraft	17	Staggerwing	7.50-10	6	10.00SC	—
	18	Twin Beech	11.00-12	8 TL	14.50SC	8 TL
	19	Musketeer Sport	6.00-6	4	6.00-6	4
	23	Musketeer	6.00-6	4	6.00-6	4
	C23	Sundowner	6.00-6	4	6.00-6	4
	24	Sierra	6.00-6	4	5.00-5	4
	33	Debonair	7.00-6	6	5.00-5	4
	35, 36	Bonanza	7.00-6	6	5.00-5	4
	50	Twin Bonanza	8.50-10	6	6.50-10	4
	55, 56, 58	Baron	6.50-8	6/8	5.00-5	6
	58P	Baron	19.5x6.75-8	8/10	5.00-5	6
	60	Duke	19.5x6.75-8	8/10	15x6.0-6	4
	65, 70, 80, 88	Queen Air	8.50x10	8 TL	6.50-10	6 TL
	76	Duchess	6.00-6	6	5.00-5	6
	77	Skipper	15x6.0-6	4	5.00-5	4
	90, 100	King Air	8.50-10	8/10 TL	6.50-10	6 TL
	95	Travel Air	6.50-8	6/8	5.00-5	6
	99	Airliner	18x5.5	8 TL	6.50-10	6 TL
	200	Super King Air	18x5.5	8/10 TL	6.50-10	6 TL
	300, 350	Super King Air	22x6.75-10	8/10 TL	22x6.75-10	8 TL
1900		19.5x6.75-8	8 TL	19.5x6.75-8	10 TL	
1900D		22x6.75-10	10 TL	19.5x6.75-8	10 TL	
2000	Starship 1	H19.5x6.75-10	8 TL	19.5x6.75-8	10 TL	
(Raytheon, Hawker Beechcraft)	390	Premier I	H22x8.25-10	12 TL	18x4.4	6 TL
(Raytheon, Hawker Beechcraft)	400, 400XP	Beechjet	24x7.7	16 TL	18x4.4 DDT	10 TL
(Raytheon, Hawker Beechcraft)	700, 750, 800, 850XP, 900XP, 1000	Hawker	23x7.0-12	12 TL	18x4.25-10 DT	6 TL
(Raytheon, Hawker Beechcraft)	4000	Horizon	26x6.6R14	14 TL	18x4.4 DT	12 TL
Bellanca	14-13	Cruisair	6.00-6	4	6x2.00	—
	17-30A	Viking	7.00-6	6	2.80/2.50-4	—
	17-31A	Super Viking	6.00-6	6	15x6.0-6	6/8
	17-31ATC	Turbo Viking	6.00-6	6	15x6.0-6	6/8
Boeing	BBJ, BBJ2, BBJ3		H44.5x16.5-21	28 TL	27x7.75-15	12 TL
					27x7.75R15	
Bombardier	BD-700	Global Express	H38x12.0-19	20 TL	21x7.25-10 DT	12 TL
	BD-700	Global 5000, 6000	H38x12.0-19	20 TL	21x7.25-10 DT	12 TL
	BD-100	Challenger 300/350	H26.5x8.0-14	14 TL	18x5.5 DT	10 TL
	CL-600/601	Challenger 600/601	25.75x6.75-14	14 TL	18x4.4 DT	12 TL
	CL-604/605/650	Challenger 604/605	H27x8.5-14	16 TL	18x4.4 DT	12 TL
	CRJ200	Challenger 800/850	H29x9.0-15	16 TL	18x4.4 DT	12 TL
Bombardier (Learjet)	LR-23/24/25	Learjet	18x5.5	10 TL	18x4.4 DDT	10 TL
	LR-31/35/35A/36/36A	Learjet	17.5x5.75-8	12 TL	18x4.4 DDT	10 TL
	LR-40/45	Learjet	22x5.75-12	10 TL	18x4.4 DDT	10 TL
	LR-55/60	Learjet	17.5x5.75-8	14 TL	18x4.4 DDT	10 TL
	LR-70/75	Learjet	22x5.75-12	10 TL	18x4.4 DDT	10 TL
Britten-Norman	BN-2	Islander	7.00-6	6	6.00-6	6
	BN-2A MKIII	Trislander	6.50-8	8	6.00-6	6
Cessna	120, 140	—	6.00-6	4	6x2.00	4
					2.80/2.50-4	
	150, 152	Commuter, Aerobat	6.00-6	4	5.00-5	4
	162	Skycatcher	5.00-5	4	11x4.00-5	8
	172	Skyhawk	6.00-6	4/6	5.00-5	4
	172RG	Cutlass RG	15x6.0-6	6	5.00-5	4
	175	Skylark	6.00-6	4	5.00-5	4
	177	Cardinal	6.00-6	6	5.00-5	4
	177RG	Cardinal RG	15x6.0-6	6	5.00-5	4
	180	Skywagon	6.00-6	6	8.00" SC	6
	182, T182	Skylane	6.00-6	6	5.00-5	6
	182RG, T182RG	Skylane	15x6.0-6	6	5.00-5	4
	185	Skywagon	6.00-6	6	2.80/2.50-4	8
	188	AG Wagon	22x8.0-8	6	10x3.50-4	6
	195	—	6.50-10	6	10.00 SC	—
	205	—	6.50-8	6	5.00-5	6
	206	Station Air	6.00-6	6	5.00-5	6
	207	Skywagon	8.00-6	8	6.00-6	8
	208	Caravan	6.00-6	8	6.00-6	8
			8.50-10	8	6.50-8	8
			29x11.0-10	8	22x8.0-8	6
	208B	Grand Caravan	8.50-10	8	22x8.0-8	6
			29x11.0-10	10		
	210	Centurion	6.00-6	8	5.00-5	6
	T210, P210	Turbo Centurion	6.00-6	8	5.00-5	10
	300, 350, 400, T240	Corvalis	15x6.0-6	6	5.00-5	6
	T303	Crusader	6.00-6	8	6.00-6	6
310, T310, 320	—	6.50-10	6	6.00-6	6	
335, 340	—	6.50-10	8	6.00-6	6	
336	—	6.00-6	6	15x6.0-6	6	
337	Super Skymaster	18x5.5	8	15x6.0-6	6	
401, 402	—	6.50-10	8	6.00-6	6	
404	Titan	22x7.75-10	10 TL	6.00-6	6	

MANUFACTURER	MODEL	NAME	MAIN TIRE		AUXILIARY TIRE		
			TIRE SIZE	PLY RATING	TIRE SIZE	PLY RATING	
Cessna	F406	Caravan II	22x7.75-10	10 TL	6.00-6	6	
	411	—	6.50-10	8	6.00-6	6	
	414	Chancellor	6.50-10	8	6.00-6	6	
	421	Golden Eagle	6.50-10	8	6.00-6	6	
	425	Conquest I	6.50-10	8	6.00-6	6	
	441	Conquest II	22x7.75-10	10 TL	6.00-6	6	
	500, 501	Citation I	22x8.00-10	10 TL	18x4.4 DDT	10 TL	
	510	Mustang	22x6.75-10	8 TL	16x4.4	8 TL	
	525	CJ, CJ1	22x7.75-10	10 TL	18x4.4 DDT	6 TL	
	525A	CJ2	22x7.75-10	12 TL	18x4.4 DDT	6 TL	
	525B	CJ3	H22x8.25-10	12 TL	18x4.4 DDT	10 TL	
	525C	CJ4	H22x8.25-10	14 TL	16x4.4 DT	10 TL	
					16x4.4R8 DT	10 TL	
	550, 551	Citation II, II/SP	22x8.0-10	10/12 TL	18x4.4 DDT	10 TL	
	5550	Citation S/II	22x8.0-10	12 TL	18x4.4 DDT	10 TL	
	550B	Bravo	H22x8.25-10	14 TL	18x4.4 DDT	10 TL	
	560	Citation V, Ultra	22x8.0-10	12 TL	18x4.4 DDT	10 TL	
	560	Encore	H22x8.25-10	14 TL	18x4.4 DDT	10 TL	
	560XL	Excel	23.5x8.0R12	12 TL	18x4.4 DDT	10 TL	
	650	Citation III, VI, VII	22x5.75-12	10 TL	18x4.4 DDT	10 TL	
680	Sovereign	26x6.6R14	12 TL	16x4.4R8 DT	10 TL		
680A	Latitude	26x6.6R14	14 TL	16x4.4R8 DT	10 TL		
750	Citation X	26x6.6R14	12 TL	16x4.4 DT	10 TL		
750	Citation X+	26x6.6R14	14 TL	16x4.4 DT	10 TL		
Cirrus Design	SR20	—	15x6.0-6	6 TT / 10 TL	5.00-5	6 TT / 10 TL	
	SR22	—	15x6.0-6	6 TT / 10 TL	5.00-5	6 TT / 10 TL	
Dassault	10, 100	Falcon	22x5.75-12	10 TL	18x5.75-8	8 TL	
	20, 50, 200	Falcon	26x6.6	14 TL	14.5x5.5-6 DT	14 TL	
			26x6.6R14				
	900	Falcon	29x7.7R15	TL	17.5x5.75R8 DT	TL	
	2000, 2000EX	Falcon	26x6.6R14	14 TL	14x5.5R6 DT	—	
7X	Falcon	H32x10.5R16.5	16 TL	16x6.0R6	12 TL		
de Havilland Canada	DHC-1	Chipmunk	6.00-6.5	—	3.00-3.5	—	
	(Viking)	DHC-2	Beaver	8.50-10	6	5.50-4	6
		DHC-3	Otter	11.00-12	6	6.00-6	6
Diamond	DA20	Katana	5.00-5	6	5.00-4	6	
			15x6.0-5				
	DA20-C1	Eclipse	5.00-5	6	5.00-4	6	
	DA40	Diamond Star	6.00-6	6	5.00-5	6	
	DA42	Twin Star	15x6.0-6	6	5.00-5	10	
Eclipse	500		18x5.5	8 TL	5.00-5	8 TL	
			18x5.5R8				
Embraer	EMB 201/202	Ipanema	8.50-10	8	10x3.50-4	4	
	EMB 202A	Ipanema	22x8.0-8	6	10x3.50-4	4	
	EMB 500	Phenom 100	21x6.5-10	12 TL	15x6.0-6	10 DDT	
	EMB 505	Phenom 300	H25x8.0-12	16 TL	15x6.0-6	12 DDT	
	EMB 540/550	Legacy 450/500	H26.5x8.0-14	14 TL	17.5x5.75-8	10 DT	
	EMB 135BJ	Legacy 600	30x9.5-14	16 TL	19.5x6.75-8 DT	10 TL	
	EMB 135BJ	Legacy 650	H30x9.5-16	16 TL	19.5x6.75-8 DT	10 TL	
ERJ 190	Lineage	H41x16.0R20	22 TL	24x7.7R10	16 TL		
Epic	LT		18x5.5	10 TL	15x6.0-6	10	
ERCO	415	Ercoupe	7.00-4	4	5.00-4	4	
			6.00-6		5.00-5		
Extra	EA-200	—	5.00-5	6	Solid	—	
	EA-300, EA-330	—	5.00-5	6	Solid	—	
	EA-400	—	15x6.0-6	6	5.00-5	6	
	EA-500	—	15x6.0-6	10	5.00-5	6	
Globe	GC-1A, GC-1B	Swift	6.00-6	6	6x2.00	—	
Goodyear	GZ-20	Blimp	26x10.5-6	6 TL	3.80/2.50-4	—	
Grob	G 115	—	—	—	—	—	
	G 120	—	15x6.0-6	6	5.00-5	6	
Grumman American	AA-1	Yankee Clipper, Trainer, Lynx	6.00-6	4	5.00-5	4	
	AA-5	Traveler	6.00-6	4	5.00-5	4	
	AA-5A	Cheetah	6.00-6	4	5.00-5	4	
	AG-5B	Tiger	6.00-6	6	5.00-5	4	
	GA-7	Cougar	6.00-6	6	15x6.0-6	6	
	G-164	Ag Cat	8.50-6	6	Solid	—	
			8.50-10				
	(Grumman)	G-164A/B/C	Super Ag Cat	8.50-10	6	10x3.50-4	6
				29x11.0-10	10		
	(Grumman)	G-164D	Turbo Ag Cat	8.50-10	6	10x3.50-4	6
			29x11.0-10	10			
(Grumman)	G-159	Gulfstream I	7.50-14	12 TL	6.50-8	6 TL	
(Grumman)	G-1159	Gulfstream II	34x9.25-16	18 TL	21x7.25-10 DT	12 TL	
Gulfstream	G100	—	23x7.00-12	12 TL	16x4.4 DT	6 TL	
	G150	—	23x7.00-12	12 TL	16x4.4R8 DT	10 TL	
	G200	—	26x6.6R14	14 TL	18x4.4 DT	10 TL	
	G280	—	26x6.6R14	14 TL	18x4.4 DT	12 TL	
	II, III, IV	—	34x9.25-16	18 TL	21x7.25-10 DT	12 TL	
	GIV-SP, G300, G350, G450	—	H34x9.25-18	18 TL	21x7.25-10 DT	12 TL	
	GV, G550	—	H35x11.0-18	20 TL	21x7.25-10 DT	12 TL	
	G650	—	H37.5x12.0R19	20 TL	21x7.25-10 DT	14 TL	

MANUFACTURER	MODEL	NAME	MAIN TIRE		AUXILIARY TIRE	
			TIRE SIZE	PLY RATING	TIRE SIZE	PLY RATING
Helo	H-250	Courier	8.00-6 6.50-8	4 6	10.00SC	8
	H-295	Super Courier	8.00-6 6.50-8	6	10.00SC	8
	H-395	Super Courier	8.00-6	6	10.00SC	8
Israel Aircraft Industries	1121	Jet Commander	24x7.7	16 TL	16x4.4	4 TL
	1123	Westwind	24x7.7	16 TL	16x4.4	4 TL
	1124	Westwind	B24x9.5-10.5	18 TL	16x4.4	4 TL
	1125	Astra	23x7.00-12	12 TL	16x4.4 DT	6
	1126	Galaxy	26x6.6R14	14 TL	18x4.4 DT	12 TL
Lake Aircraft	LA-250	Renegade/Seafury	6.00-6	6	5.00-5	4
	LA-4	Buccaneer	6.00-6	4	5.00-4	4
	LA4-200	Amphibian	6.00-6	6	5.00-4	4
Lancair		Legacy	5.00-5	6	5.00-5	4
		Evolution	18x4.4 18x6.5-8	6/10 TL 12 TL	5.00-5	6 TT/TL
Lockheed	—	Jet Star	26x6.6	14 TL	18x4.4 DT	10 TL
	—	Jet Star II	26x6.6	14 TL	18x4.4 DT	12 TL
	SA-60	Azacarte-60	6.50-8	4	6.00-6	4
Luscombe	Model 8	Luscombe 50	6.00-6	4	6x2.00 2.80/2.50-4	—
Mahindra (Gipps)	GAB	Airvan	8.50-6	6	6.00-6	6
Maule Air	M-4	—	7.00-6 8.50-6 7.00-6	4/6	2.80/2.50-4	—
	M-5	Lunar Rocket	8.50-6	4/6	2.80/2.50-4	—
	M-6	Super Rocket	7.00-6 8.50-6	4/6	2.80/2.50-4	—
	M-7	—	7.00-6 8.50-6	4/6	2.80/2.50-4	—
Mitsubishi	MU-2	—	8.50-10	10 TL	5.00-5	6
	MU-300	Diamond I	24x7.7	14 TL	18x4.4 DDT	10 TL
Mooney	M-18	Mite	5.00-5	4	5.00-5 5.00-4	4
	M-20	—	6.00-6	6	5.00-5	4/6
	M-22	Mustang	6.00-6	6	15x6.0-6	6
Navion (North American, Ryan)	A,B,D,E,F	Navion	7.00-8	4	6.00-6	4
	G,H	Rangemaster	6.50-8	6	6.00-6	4
Nextant	400XT	Beechjet	24x7.7	16 TL	18x4.25-10 DT	10 TL
Partenavia	P68C	—	6.00-6	6	5.00-5	6
Piaggio	P180	Avanti, Avanti II	6.50-10 24x7.7	12 TL 6 TL	5.00-5	8 TL
Pilatus	PC-6	Porter	11.00-12	8 TL	5.00-4	6 TT
	PC-12	—	8.50-10	10 TL	17.5x6.75-6	8 DT
Piper	J-2, J-3	Cub	8.00-4	4	6x2.00 2.80/2.50-4	—
	J-4	Cub Coupe	8.00-4	4	6x2.00 2.80/2.50-4	—
	J-5	Cub Cruiser	8.00-4	4	6x2.00 2.80/2.50-4	—
	PA-11	Cub Special	8.00-4	4	6x2.00 2.80/2.50-4	—
	PA-12	Super Cruiser	8.00-4	4	6x2.00 2.80/2.50-4	—
	PA-14	Family Cruiser	8.00-4	4	6x2.00 2.80/2.50-4	—
	PA-15, PA-17	Vagabond	8.00-4	4	6x2.00 2.80/2.50-4	—
	PA-16	Clipper	8.00-4	4	6x2.00 2.80/2.50-4	—
	PA-18	Super Cub	8.00-4 6.00-6	4	6x2.00 2.80/2.50-4	—
	PA-20	Pacer	8.00-4	4	6x2.00 2.80/2.50-4	—
	PA-22	Tri Pacer	6.00-6	6	6.00-6	6
	PA-23	Apache	7.00-6	6/8	6.00-6	4/6
	PA-23-250, PA-27	Aztec	7.00-6	8	6.00-6	4/6
	PA-24	Commanche	6.00-6	4/6	6.00-6	4/6
	PA-25-150	Pawnee	7.00-6	4	8x3.00-4	4
	PA-25-235/260	Pawnee	8.00-6	4	8x3.00-4	4
	PA-28-140	Cherokee Cruiser	6.00-6	4	6.00-6	4
	PA-28-150/160/180	Cherokee	6.00-6	4	6.00-6	4
	PA-28-151/161	Warrior	6.00-6	4	5.00-5	4
	PA-28-161	Cadet	6.00-6	4	6.00-6	4
	PA-28-180/181	Archer	6.00-6	4	6.00-6	4
	PA-28-201T	Turbo Dakota	6.00-6	4	5.00-5	6
	PA-28R-200/201	Arrow	6.00-6	4/6	5.00-5	4
	PA-28RT-201	Arrow IV	6.00-6	6	5.00-5	4
	PA-28R-201T	Turbo Arrow	6.00-6	6	5.00-5	4
	PA-28RT-201T	Turbo Arrow IV	6.00-6	6	5.00-5	4
	PA-28-235	Pathfinder	6.00-6	6	6.00-6	4
	PA-28-236	Dakota	6.00-6	6	6.00-6	4
	PA-30	Twin Commanche	6.00-6	6	6.00-6	6
	PA-31	Navajo	6.50-10	8	6.00-6	6
	PA-31-350	Chieftain	6.50-10	8	6.00-6	6
	PA-31P	Pressurized Navajo	6.50-10	8	6.00-6	8
	PA-31P-350	Mojave	6.50-10	8	17.5x6.25-6	10
	PA-31T	Cheyenne I/IA/II/IIXL	6.50-10	10	17.5x6.25-6	10 TT
	PA-32-260/300	Cherokee Six	6.00-6	6	6.00-6	4/6
	PA-32-301	Saratoga	6.00-6	8	5.00-5	6
	PA-32R	Lance/Saratoga	6.00-6	8	6.00-6	6
PA-34	Seneca	6.00-6	8	6.00-6	6	
PA-36	Brave	8.50-10	6	10x3.5-4	6	
PA-38	Tomahawk	5.00-5 6.00-6	4	5.00-5 6.00-6	4	
PA-42	Cheyenne III/IIIA/IV	6.50-10	12 TL	17.5x6.25-6	10	
PA-44	Seminole	6.00-6	8	5.00-5	6	
PA-46-310P	Malibu	6.00-6	8	5.00-5	6	
PA-46-350P	Mirage	6.00-6	8	5.00-5	6	
PA-46-500TP	Meridian	6.00-6	8	5.00-5	6/8	
PA-46R-350T	Matrix	6.00-6	8	5.00-5	6	
PA-60	Aerostar	6.50-8	8 TL	6.00-6	6	

MANUFACTURER	MODEL	NAME	MAIN TIRE		AUXILIARY TIRE	
			TIRE SIZE	PLY RATING	TIRE SIZE	PLY RATING
Quest	100	Kodiak	8.50-10	8	6.50-8	8
			29x11.0-10	10	22x8.0-8	6
Robin	DR.200		380x150-5	6	380x150-5	6
	DR.300		380x150-5	6	380x150-5	6
	DR.400		380x150-5	6	380x150-5	6
Rockwell	112	Commander	6.00-6	4/6	5.00-5	4/6
	114	Commander	7.00-6	6	5.00-5	6
(North American)	NA-265-40	Sabreliner 40/40A	26x6.75-14	14 TL	18x4.4 DT	10 TL
(North American)	NA-265-60	Sabreliner 60	26x6.75-14	14 TL	18x4.4 DT	10 TL
(North American)	NA-265-65	Sabreliner 65	26x6.75-14	16 TL	18x4.4 DT	10 TL
(North American)	NA-265-80	Sabreliner 75A/80	22x5.75-12	10 TL	18x4.4 DT	10 TL
(North American)	NA-265-80SC	Sabreliner 80A (80SC)	22x5.75-12	12 TL	18x4.4 DT	10 TL
Socata	TB 9, 20, 21		15x6.0-6	6	5.00-5	6
	TB 10, 200		6.00-6	6	5.00-5	6
	TB 30		15x6.0-6	6	5.00-4	6
Daher	TBM 700		18x5.5	8 TL	5.00-5	10 TL
	TBM 700C2/850/900		18x5.5	10 TL	5.00-5	10 TL
Syberjet	SJ30		16x4.4	12 TL	16x4.4	6 DT
Taylorcraft	A, B, D		6.00-6	4	6x2.00	—
	F19, F21, F22, F22B		6.00-6	4	6x2.00 8.00-3	—
	F22A, F22C		6.00-6	4	5.00-5	4
Tecnam	P92		5.00-5	6	5.00-5	6
	P2002		5.00-5	6	5.00-5	6
	P2006T		6.00-6	6	5.00-5	6
	P2008		5.00-5	6	5.00-5	6
Thrush Aircraft (Ayres)	S2R-H80	510G	29x11.0-10	10	12.5x4.5	10
	S2R-T34	510P	29x11.0-10	10	5.00-5	10
	S2R-T660	710P	29x11.0-10	10	6.00-6	8
Twin Commander (Rockwell, Gulfstream)	680FL, FLP	Grand Commander	8.50-10	8 TL	6.00-6	6
	680T, V, W	Turbo Commander	8.50-10	8 TL	16x4.4	4 TL
	681, 685, 690, 690A, 690B	Turbo Commander	8.50-10	10 TL	6.00-6	6
	690C	Jetprop 840	8.50-10	10 TL	6.00-6 15x6.0-6	6
	690D	Jetprop 900	24x7.7	16 TL	15x6.0-6	6
	695	Jetprop 980	8.50-10	10 TL	6.00-6 15x6.0-6	6
Vans	RV-3,4,6,7,8,9		5.00-5	4/6	11x4.00-5	6
	RV-10		15x6.0-6	4/6	5.00-5	4/6
	RV-12, 14		5.00-5	4/6	5.00-5	4/6



COMMERCIAL AIRCRAFT

LEGEND

- Tires are low speed unless designated.
- Tires are **tubeless** unless otherwise indicated.

CODE:

TT=Tube-type DT = Deflector Type

DDT=Dual Deflector Type

MANUFACTURER	MODEL	IDENTIFYING INFO	SPEED (MPH)	MAIN GEAR		NOSE GEAR	
				TIRE SIZE	PLY RATING	TIRE SIZE	PLY RATING
Aerospatiale	SE 210	Caravelle	190/210	35x9.00-17	14/16/18	26x7.75-13	10 DT
(Sud, Nord)	N 262	Nord 262		12.50-16	12	6.00-6	8
(BAC)	—	Concorde	279	47x15.75-22.1	32	31x10.75-14	20
ATR	ATR 42		190	32x8.8R16	12	450x190-5	10
(Airbus/Alenia)	ATR 72		190	H34x10.0R16	14	450x190-5	10
Airbus	A300 B2		225	46x16	28/30/32	40x14 40x14.0R16	24 22/24
	A300 B4		225/235	46x16 49x17	28/30 30/32	40x14 40x14.0R16	24 22/24
	A300-600		225/235	49x17 49x19.0-20	30/32/34	40x14 40x14.0R16	24 22/24
	A310		225/235	46x16 49x17	28/30/32 26/28/30/32	40x14 40x14.0R16	24 22/24
	A318		225	46x16 46x17.0R20	30	30x8.8 30x8.8R15	16
	A319		225	46x16 46x17.0R20	30/32 30	30x8.8 30x8.8R15	16
	A320		225/235	46x16 46x17.0R20	30/32 30	30x8.8 30x8.8R15	16
	A321		225	49x18.0-22 1270x455R22	30	30x8.8 30x8.8R15	16
	A330		235	54x21.0-23 1400x530R23	32/36	1050x395R16	28
	A340-200/300		235	54x21.0-23 1400x530R23	32/36	1050x395R16	28
	A340-500/600		235	1400x530R23	40	45x18.0R17	36
	A350		235	1400x530R23	42	1050x395R16	28
	A380		235	1400x530R23	40	1270x455R22 50x20.0R22	32/34
British Aerospace (BAe)	3100	Jetstream 31		28x9.00-12	12	6.00-6	6
	3200	Jetstream 32		28x9.00-12	12	6.00-6 17.5x6.25-6	8
	4100	Jetstream 41	190	22x6.75-10	10/12	17.5x6.25-6	8
	BAe 146 / Avro RJ			39x13 42x15	22/24 20/22	24x7.7 24.5x8.5	14 12
(Hawker Siddeley)	HS 748	Avro 748	160	32x10.75-14	12	8.50-10	10 TT
	ATP			34.5x12-14	14	22x6.75-10	8
(Vickers)	VC10		210/225	50x18	24/26	39x13	16
(BAC)	BAC-111	One-Eleven	210	40x12	16/18/20	24x7.25-12	10/12 DT
(Hawker Siddeley)	HS 121	Trident	210	34x9.50-18 36x10.00-18	14 16	29x8.00-15	12



MANUFACTURER	MODEL	IDENTIFYING INFO	SPEED (MPH)	MAIN GEAR		NOSE GEAR	
				TIRE SIZE	PLY RATING	TIRE SIZE	PLY RATING
Boeing	720		210	46x16	24	39x13	14
	707-120		210	46x16	24	39x13	14
	707-320		210/225	46x16	26/28/30	39x13	16
	717		225	H41x15.0-19	24	26x6.6	12
	727		225	49x17 50x21.0-20	30	32x11.50-15	12 DT
	737-100		210/225	40x14	24	24x7.7	16
	737-200		210/225	40x14 H40x14.5-19	24 24/26	24x7.7	16
	737-300/400/500		225	H40x14.5-19 H42x16.0-19	24/26	27x7.75-15 27x7.75R15	12 DT
	737-600/700		225/235	H43.5x16.0-21 H44.5x16.5-21	26 28/30	27x7.75-15 27x7.75R15	12 DT
	737-700ER/800/900		225/235	H44.5x16.5-21	28/30	27x7.75-15 27x7.75R15	12 DT
	737-900ER		235	H44.5x16.5-21	30	27x7.75-15 27x7.75R15	12 DT
	747-100		225	46x16	28/30/32	46x16	28/30/32
	747SP		225	46x16 49x17	28/30/32 30/32	49x17	30/32
	747SR, 747SF		225/235	49x17	30/32	49x17	30/32
	747-200/300		225/235/245	49x17 49x19.0-20	30/32 32/34	49x17 49x19.0-20	30/32 32/34
	747-400		225/235/245	H49x19.0-22	24/32	49x17 49x19.0-20	32 32/34
	747-400ER		235	50x20.0R22	34	50x20.0R22	34
	747-8		235	52x21.0R22	36	50x20.0R22	26/32/34
	757-200		210/225/235	H40x14.5-19	22/24/26	H31x13.0-12	20
	757-300		225/235	H40x14.5-19	24/26	H31x13.0-12	20
	767-200		225/235	H45x17.0-20 H46x18.0-20	26 26/28/32	H37x14.0-15	22/24
	767-300		225/235	H46x18.0-20	26/28/32	H37x14.0-15	22/24
	767-400ER		235	50x20.0R22	32	H37x14.0-15	22/24
	777-200/300		235	50x20.0R22	32	42x17.0R18	26
	777-200LR/300ER, 777F		235	52x21.0R22	36	43x17.5R17	32
	787-8	Dreamliner	235	50x20.0R22	34	40x16.0R16	26
	787-9	Dreamliner	235	54x21.0R23	38	40x16.0R16	26
Bombardier	CL-215	Scooper	160	15.00-16	16	6.50-10	10
(Canadair)	CL-415	Superscooper	160	15.00-16	16	6.50-10	10
	CRJ100/200	Regional Jet	210	H29x9.0-15	16	18x4.4 DT	12
	CRJ700/900		225	H36x12.0-18	18	20.5x6.75-10 DT	12
	CRJ1000		225	H36x11.5-19	20	20.5x6.75-10 DT	12
	Q400		190	34x10.75-16	16	22x6.50-10	8
CASA	C212	Aviocar	160	11.00-12	10	24x7.7	8
	CN235		160	28x9.0-12 11.00-12	12 TL 10 TL	24x7.7 8.50-10	14 TL 12 TL
Convair	CV-240			34x9.9	12 TT	26x6	10 TT
	CV-340/440/640			12.50-16	12 TT/TL	7.50x14	8 TT/TL
	CV-580			12.50-16 39x13	14 TT/TL 14	7.50x14	8 TT/TL
	CV-880		210	39x13	20	29x7.7	12
	CV-990	Coronado	210/225	41x15.0-18	22/24	29x7.7	16
Curtiss	C-46	Commando	160	19.00-23	16	10.00-7	12 Smooth
de Havilland Canada	DHC-4	Caribou		11.00-12	8	7.50-10	6
(Viking)	DHC-5	Buffalo		15.00-12	10	8.90-12.50	6
	DHC-6	Twin Otter		11.00-12 15.00-12	8 TT 10 TT	8.90-12.50	6 TT
	DHC-7	Dash 7		30x9.00-15 33.5x10.75-15	10 12	6.50-10 24x7.7	10 8
de Havilland Canada	DHC-8-100	Dash 8 Series 100	160/190	26.5x8.0-13 H31x9.75-13	12	18x5.5 22x6.50-10	8 6
(Bombardier)	DHC-8-200	Dash 8 Series 200	190	H31x9.75-13	12	18x5.5	8
	DHC-8-300	Dash 8 Series 300	190	31x9.75-14	12	22x6.50-10	6
	DHC-8-400	Dash 8 Series 400	190	34x10.75-16	16	22x6.50-10	8

MANUFACTURER	MODEL	IDENTIFYING INFO	SPEED (MPH)	MAIN GEAR		NOSE GEAR	
				TIRE SIZE	PLY RATING	TIRE SIZE	PLY RATING
Dornier	Do 228			25.5x8.75-10	10/12	6.00-6	8 TT
	Do 328		190	24x7.7 25.5x8.75-10	14	19.5x6.75-8	10
	(Fairchild-Dornier) 328JET		210	25.75x6.75-14	14	19.5x6.75-8	10
Douglas	DC-3		LS	17.00-16	10 TT/TL	9.00-6	10 TT
	DC-4		LS	15.50-20	14/16 TT	15.50-20	12 TT
	DC-6		LS	15.50-20	20 TT	15.50-20	14 TT
	DC-7		LS	17.00-20	20/22/24	17.00-20	14
	DC-8		225	44x16 44.5x16.5-18	30	34x11	22
	DC-9-10/30		210/225	40x14	22/24	26x6.6	10 DT
	DC-9-30/40/50		225	41x15.0-18	22/24	26x6.6	12 DT
	DC-10-10		225	50x20.00-20	32/34	37x14.0-14	24
	DC-10-30/40		235	52x20.5-23	28/30	40x15.5-16	26/28
Embraer	EMB 110	Bandeirante	160	670x210-12	10	6.50-8	8 TT
	EMB 120	Brasilia	190/210	24x7.25-12	12	18x5.5	10
	EMB 121	Xingu	160/210	670x210-12	10	16x4.4	6 TT
	ERJ 135/140/145ER	Regional Jet	210	30x9.5-14	16	19.5x6.75-8	8 DT
	ERJ 145LR	Regional Jet	225	H30x9.5-16	16	19.5x6.75-8	8 DT
	ERJ 145XR	Regional Jet	225	H30x9.5-16	16	19.5x6.75-8	10 DT
	ERJ 170/175	E170/E175	225	H38x13.0-18	20	24x7.7	12
	ERJ 190/195	E190/E195	225	H41x16.0-20 H41x16.0R20	22	24x7.7 24x7.7R10	16
Fairchild	SA26/SA226	Merlin	160	18x5.5 19.5x6.75-8	8/10 10	16x4.4 18x4.4	6 6/10 DT
	(Swearingen) SA226/SA227	Metro	190	19.5x6.75-8	10	18x4.4	10 DT
	(Fairchild-Dornier) 328JET		210	25.75x6.75-14	14	19.5x6.75-8	10
Fokker	F27	Friendship	190	34x10.75-16 37x11.75-16	10/12 10/14	9.25-12	8
	F28	Fellowship	210/225	39x13 40x14	16	24.5x8.5	10 DT
	50		190	34x10.75-16	12	24x7.7	6
	70		225	H40x14.0-19	20	24x7.7	10 DT
	100		225	H40x14.0-19	20	24x7.7	10 DT
Let	L-410	Turbolet		12.50-10 29x11.00-10	10	9.00-6	10
Lockheed	Model 18	Lodestar		13.50-16	24	7.50-14	10
	L-188	Electra	210	40x14	24/28	28x7.7	10/14
	L-100 (L382)	Hercules	210	56x20.0-20	24	39x13	14
	L-049/L-649/L-749	Constellation	160	17.00-20	24 TT/TL	34x9.9	10
	L-1049	Super Constellation	160	17.00-20	24 TT/TL	34x9.9	10
	L-1011	TriStar	225	50x20.0-20	32/34	36x11	20/22
McDonnell Douglas	L-1011-500	TriStar	225	52x20.5-20	34/36	37x13.0-16	26
	MD-11		235	H54x21.0-24	36	40x15.5-16	28
	MD-80		225	H44.5x16.5-20	24/26/28	26x6.6	12
NAMC	MD-90		225	H44.5x16.5-21	26/28	26x6.6	12
	YS-11			12.50-16 39x13	12 14	24x7.7	10
Saab	340		190	24x7.7	14	17.5x6.25-6	8
	2000		210	32x8.8	14	18x5.5	8
Short	330	SD3-30	190	34x10.75-16	10	9.00-6	10
	360	SD3-60	190	34x10.75-16 37x11.75-16	12	9.00-6	10



MILITARY AIRCRAFT

CODE: TT=Tube-type TL=Tubeless SC=Smooth Contour

MANUFACTURER	MODEL	NAME	MAIN TIRE		AUXILIARY TIRE	
			TIRE SIZE	PLY RATING	TIRE SIZE	PLY RATING
AIDC	F-CK-1	Ching-Kuo	24x8.0-13	18 TL	18x5.7-8	18 TL
Alenia	C-27J	Spartan	39x13	18 TL	29x11.0-10	10 TL
	G222/C-27A	Spartan	39x13	14/16 TL	27.5x10.5-12	10 TL
Aermacchi	AMX		670x210-12	18 TL	18x5.5	10 TL
	MB-326		21.5x7.0-10	12 TL	380x150-4	6 TL
	MB-339		21.5x7.0-10	12 TL	380x150-4	6 TL
	M-346		24x8.0-13	16 TL	18x5.5	14 TL
Beech (Raytheon)	T-1A	Jayhawk	24x7.7	14 TL	18x4.4 DDT	10 TL
	T-6A	Texan II	20x4.4	14 TL	16x4.4	8 TL
	T-34B	Mentor	6.50-8	6 TT	5.00-5	6 TT
	T-42A	Cochise	6.50-8	6 TL	5.00-5	6 TL
	U-87	Seminole	8.50-10	8 TT	6.50-10	6 TT
	VC-6A/C-12	King Air	8.50-10	8 TL	6.50-10	6 TL TT
Boeing	E-3A	AWACS	46x16	28 TL	39x13	16 TL
	E-4A	AACP	49x17	30 TL	49x17	30 TL
	E-6	Mercury	46x16	28 TL	39x13	16 TL
	B-52 G, H	Buff	56x16	38 TL	32x8.8	12 TT
	KC-135	Stratotanker	49x17	26 TL	38x11	14 TL
	VC-137C		46x16	28 TL	39x13	16 TL
	KC-767		H46x18.0-20	28 TL	H37x14.0-15	22/24 TL
British Aerospace	GR-5	Harrier	26x7.75-13	12 TL	26x8.75-11	16 TL
	—	Harrier Outrigger	—	—	13.5x6.00-4	14 TL
	—	Hawk	6.50-10	14 TL	—	—
	—	Jaguar	615x225-10	12 TL	550x250-6	12 TL
	—	Strikemaster	21x6.75-9	10 TL	6.00-4	12 TT
CASA	C-101	Aviojet	24.5x8.5	12 TL	18x5.75-8	8 TL
	CN235		28x9.0-12	12 TL	24x7.7	14 TL
	HC-144	Ocean Sentry	11.00-12	10 TL	8.50-10	12 TL
	C295		34x14.0-14	14 TL	8.50-10	12 TL
Cessna	O-1E	Bird Dog	8.00-6/7.00-6	6 TL	3x3.0-4	4 TT
	O-2A, B	Skymaster	6.00-6	8 TL	15x6.00-6	4 TT
	U-3B	Blue Canoe	6.50-10	6 TT	6.00-6	6 TT
	U-17A	Skywagon	6.00-6	6 TT	10" SC	8 TT
	A-37	Dragon Fly	7.00-8	16 TL	6.00-6	6 TT
	T-41A	Strike Mescalero	6.00-6	4 TL	5.00-5	4 TL
	—	—	—	—	—	—
Dassault	—	Alpha Jet	615x225-10	12 TL	380-150-4	8 TL
	—	Mirage F1	605x155-13	10 TL	360-135-6	12 TL
	—	Mirage III	750x230-15	14 TL	450x190-5	10 TL
	—	Mirage V	750x230-15	14 TL	450x190-5	10 TL
De Havilland (Bombardier)	U-1A	Otter	11.00-12	6 TT	6.00-6	6 TT
	CV-2B	Caribou	11.00-12	8 TL	7.50-10	6 TL
	U-6A	Beaver	8.50-10	6 TT	5.50-4	6 TT
	CV-7A	Buffalo	15.00-12	10 TL	8.90-12.50	6 TL
Douglas	A-4	Skyhawk	24x5.5	16 TT	18x5.5	12 TT
	C-9A	Nightingale	40x14	24 TL	18x5.7-8	14 TL
	C-47	Skytrain	17.00-16	10 TT/TL	26x6.6	10 DT
	C-124	Globemaster II	25.00-28	30	9.00-6	10 TT
Embraer	AM-X	—	670x210-12	18 TL	18x5.5	10 TL
	EMB-110	Bandeirante	670x210-12	10 TL	6.50-8	8 TT
	EMB-111	Patrulha	670x210-12	10 TL	6.50-8	8 TT
	EMB-121	Xingu	670x210-12	10 TL	16x4.4	6 TT
	EMB-312	Tucano	6.50-10	8 TT	5.00-5	8/10 TT
	EMB-314	Super Tucano	6.50-10	14 TL	17.5-5.75-8	12 TL
	EMB-326	Xavante	21.5x7.00-10	12 TL	5.00-4.5	6 TL
Fairchild	KC-390		H43x16.5-18	20 TL	31x16.5-10	18 TL
	24	—	6.50-10	6 TT	8.00SC	6
	PT-19	—	7.50-10	6 TT	10.00SC	6
	C-26	Metroliner	19.5x6.75-8	10 TL	8.00SC	10 TL
(Fairchild Republic)	A-10	Thunderbolt II	36x11	22 TL	18x4.4 DT	14 TL
GAF	—	Nomad	8.00-6	8 TT	8.00-6	8 TT
	—	—	—	—	—	—
Grumman	C-1A	Trader	34x9.9	14 TT	18x5.5	12 TT
	E-1B	Tracer	34x9.9	14 TT	18x5.5	12 TT
	OV-1C	Mohawk	8.50-10	12 TL	6.50-8	8 TL
	C-2A	Greyhound	36x11	24 TL	20x5.5	12 TL
	E-2A	Hawkeye	36x11	24 TL	20x5.5	12 TL
	S-2D	Tracker	34x9.9	14 TT	18x5.5	12 TL
	EA-6B	Prowler	36x11	24 TL	20x5.5	16 TL
	HU-16E	Albatross	40x12	14 TT	26x6	10 TT
Helio	U-10A	Courier	6.50-8	6 TT	10" SC	8 TT
	—	—	—	—	—	—
IAI	—	Arava	11.00-12	10 TL	9.00-6	10 TL
	—	Kfir	750-230-15	22 TL	450x190-5	22 TL
Lockheed	P-2H	Neptune	56" SC	20 TL	34x9.9	14 TL
	P-3	Orion	40x14	26/28 TL	28x7.7	14 TL
	C-5A, B	Galaxy "FRED"	49x17	26 TL	49x17	26 TL
	F-16A/B	Viper	25.5x8.0-14	18/20 TL	18x5.5	14 TL
			25.5x8.0R14		18x5.7-8	18 TL
	F-16C/D Block 30	Viper	25.5x8.0-14	20 TL	18x5.7-8	18/20 TL
			25.5x8.0R14		18x5.7-8	18 TL
	F-16C/D Block 40/50	Viper	27.75x8.75-14.5	24 TL	18x5.7-8	18/20 TL
			27.75x8.75R14.5		18x5.7-8	18/20 TL
	F-16E/F Block 60	Viper	27.75x8.75-14.5	24 TL	18x5.7-8	18/20 TL
			27.75x8.75R14.5		18x5.7-8	18/20 TL
	C-130E	Hercules	20.00-20	26 TT	12.50-16	12 TT
C-130H	Hercules	20.00-20	26 TL	12.50-16	12 TT/TL	
C-130J	Super Hercules	20.00-20	26 TL	12.50-16	12 TL	
C-140A	Jetstar	26x6.6	14 TL	18x4.4 DT	10 TL	

MANUFACTURER	MODEL	NAME	MAIN TIRE		AUXILIARY TIRE	
			TIRE SIZE	PLY RATING	TIRE SIZE	PLY RATING
McDonnell Douglas	A-4	Skyhawk	24x5.5	16 TT	18x5.7-8	14 TL
	AV-8B	Harrier II	26x7.75-13 26x7.75R13	10 TL	26x8.75-11 13.5x6.0-4	16 TL 14 TL
	C-17	Globemaster III	50x21.0-20	30 TL	40x16	26 TL
	F-4	Phantom II	30x11.5-14.5	24/26 TL	18x5.5	14 TL
	F-15	Eagle	34.5x9.75-18	26 TL	22x6.6-10	18 TL
	F-15E	Strike Eagle	36x11.0-18 36x11.0R18	30 TL	22x7.75-9	26 TL
North American	KC-10	Extender	52x20.5-23	30 TL	40x15.5-16	28 TL
	F-86	Sabre	26x6.6	—	22x7.25-11.50	—
	P-51	Mustang	27"	8	12.5x4.5	—
	T-2	Buckeye	24x5.5	12 TL	20x4.4	10 TL
	T-6	Texan	27"	8	10.00SC	—
Northrop	T-28	Trojan	24x7.7	—	20x4.4	—
	F-5A, B	Freedom Fighter	22x8.5-11	16 TL 1	18x6.5-8	12 TL
	F-5E	Tiger II	24x8.0-13	18 TL	18x6.5-8	12 TL
Northrop/Grumman	T-38A	Talon	20x4.4 20x4.4R14	14 TL	18x4.4	6 TL
	E-8C	JSTARS	46x16	28 TL	39x13	16 TL
Panavia	—	Tornado	30x11.5-14.5 or R14.5	24 TL	18x5.5	12 TL
Pilatus	PC-7	—	6.50-8	8 TL	6.00-6	8 TT
	PC-7 MkII	—	20x4.4 6.50-8	8 TL	16x4.4 6.00-6	8 TL
	PC-9	—	20x4.4 6.50-8	8 TL	16x4.4 6.00-6	8 TL
	PC-21	—	20x4.4R12	14 TL	16x4.4R8	12 TL
	U-28A	—	8.50-10	10 TL	17.5x6.25-6	8 TL
Piper	U-7A	—	8.00-4	4 TT	TAILSKID	—
	U-11A	Aztec	7.00-6	8 TT	6.00-6	4 TT
Piaggio	P188	—	8.50-8	8 TL	6.00-6	8 TL
Rockwell	OV-10A	Bronco	29x11.00-10	10 TL	7.50-10 CT	12 TL
	T-39	Sabreliner	26x6.6	14 TL	18x4.4	6 TL
Saab	JAS 39	Gripen	25.5x8.0-14	16 TL	14.5x5.5-6	8 TL
Short	C-23	Sherpa	34x10.75-16 37x11.75-16	10/12 12	9.00-6	10
	C-160	—	15.00-16	10 TL	12.50-16	10 TL
SIAl Marchetti	S211	—	6.50-8	8 TL	5.00-5 DDT	10 TL
Vought	A-7A, B, E	Corsair II	28x9.0-12	22 TL	22x5.5	12 TL
	A-7D	Corsair II	28x9.0-14	22 TL	22x5.5	10 TL



ROTARY WING AIRCRAFT

CODE:

TT=Tube-type TL=Tubeless

SC=Smooth Contour

MANUFACTURER	MODEL	NAME	MAIN TIRE		AUXILIARY TIRE	
			TIRE SIZE	PLY RATING	TIRE SIZE	PLY RATING
AgustaWestland	AW101, EH101		8.50-10	10 TL	7.00-8	10 TL
	AW109	Power, GrandNew	14.5x5.5-6	14 TL	SOLID	
	AW139		18x5.5	10 TL	5.00-5	10 TL
	AW149		24x7.7	14 TL	14.5x5.5-6	14 TL
	AW609		17.5x5.75-8	12 TL	5.00-4	14 TL
Airbus Helicopters (Eurocopter) (Aerospatiale)	H175/EC175		615x275-10	12 TL	15x6.0-6	10 TL
	H225/EC225	Super Puma?	615x275-10	12 TL	7.00-6	10 TL
	AS332/AS532	Super Puma/ Cougar	615x275-10	12 TL	7.00-6	10 TL
	EC725	Super Cougar	615x275-10	12 TL	7.00-6	10 TL
	SA321	Super Frelon	7.00-6	10	7.00-6	10
	SA330	Puma	7.00-6	10 TL	7.00-6	10 TL
	SA360/SA365	Dolphin	15x6.0-6	10	5.00-4	6 TT
	AS365/565/366	Dolphin	15x6.0-6	10	5.00-4	6 TT
H155/EC155	Dolphin	15x6.0-6	10	5.00-4	6 TT	
	665	Tiger	23x9.0-8	10 TL	5.00-5	8 TL
Bell	214		19.5x6.75-8	10 TT	5.00-5	10 TT
	222		6.00-6	8 TT	5.00-5	10 TT
	429	GlobalRanger	14.5x5.5-6	14 TL	5.00-4	14 TL
	XVI 5		6.50-8	8 TL	5.00-4	6 TT
Boeing	V-22	Osprey	8.50-10	12 TL	18x5.7-8	14 TL
	CH-46F	Sea Knight	18x5.5	8 TL	18x5.5	8 TL
	CH-47A	Chinook	22x5.5	12 TL	16x4.4	8 TT
	CH-47B	Chinook	8.50-10	8 TT	8.50-10	8 TT
	CH-47C	Chinook	8.50-10	12 TT	8.50-10	12 TT
	234	Chinook	8.50-10	10/12 RTL	8.50-10	10/12 TL
Kaman	AH-64A	Apache	8.50-10	10 TL	5.00-4	14 TL
	HH-2D, SF-2D SH-2F, UH-2C	SeaSprite	17.5x6.25-11	8 TL	5.00-5	6 TT
	HH-43B, 43F	Huskie	5.00-5	10 TT	5.00-5	10 TT
Sikorsky	H-33D, E	SeaKing	6.50-10	6 TL	6.00-6	8 TT
	H34	Choctaw	11.00-12	12 TL	6.00-6	6 TT
	HH-52A	—	6.50-10	6 TL	5.00-5	6 TT
	CH/HH-53	Sea Stallion	8.50-10	10 TL	8.50-10	10 TL
	CH-53E	Super Stallion	8.50-10	16 TL	8.50-10	16 TL
	H-54A	Skycrane	12.50-16	12 TL	8.50-10	10 TL
	H-54B	Skycrane	8.50-10	12 TL	8.50-10	12 TL
	S58		11.00-12	8 TT	6.00-6	6 TT
	SH60B	Seahawk	26x10.0-11	10 TL	6.00-6	8 TT
	UH-60A	Blackhawk	26x10.0-11	12 TL	15x6.00-6	6 TT
	S61		6.50-10	6 TL	6.00-6	8 TT
	S70		26x10.0-11	12 TL	15x6.00-6	6 TT
S76A		14.5x5.5-8	12 TL	5.00-4	12 TL	
S76B		14.5x5.5-6	14 TL	5.00-4	14 TL	
Westland	W30		8.50-10	6 TL	5.00-5	4 TT

Section 6

ENGINEERING AND TECHNICAL INFORMATION

Whether designing aircraft tires or simply talking about them, standardization of terms is important to ensure a common understanding between user, supplier, and manufacturer.

Tire Size Selection

MAIN WHEEL TIRES In the selecting tires for a newly designed aircraft, allowances should be made for increases in load bearing capability. Aircraft size generally grows during the life cycle of the airframe from prototype to first production units and eventually to heavier weight versions to meet operator requirements. Selecting a tire that permits an increased load capability will help avoid the costly necessity of changing tire size or wheel details required to support heavier aircraft versions.

The main wheel tire requirements should be based upon the most aft center of gravity location and the ground operational load-speed-time history considered to be the most severe during normal service operations. Consideration should be given to operations at high density altitudes.

NOSE WHEEL TIRES It is important that selection of a nose wheel tire be reviewed from both a static load requirement and a dynamic braking condition. Care should be taken during initial selection to allow for loading growth to avoid possible future retrofitting.

Nose wheel tire selection should be based on the most forward center of gravity load.

To enable tire manufacturers to offer technical assistance in the selection of main/nose gear tires, the forms on following pages are provided listing essential requirements for an engineering review to be conducted.

Tubeless Tires in Place of Tube Type Tires

A Goodyear tubeless tire (with a tube) of the same size can be used in place of a tube type tire if the tubeless tire has an equal or higher speed and ply rating than the tube type tire it is being used to replace. **IMPORTANT—Ensure any manufacturing stickers on the innerliner of a tubeless tire are removed prior to mounting to prevent damage to the tube.**

Tire Measurement Procedure

Before a tire can be measured, it must be mounted on its proper rim, inflated to the pressure given in the applicable table of the Tire Data section, allowed to stand at least 12 hours at ambient room temperature, and the pressure checked. The outside diameter of the tire should be determined by measuring circumferentially and calculating:

$$OD = \frac{\text{Circumference}}{\pi}$$

Operating Tire Temperatures

Aircraft tires shown in this handbook are not recommended for use where surface temperatures exceed 225°F (107°C), or where brake heat results in temperatures that exceed 300°F (149°C) at wheel surfaces adjacent to the tire and tube. Consult Goodyear for operation outside these limits.



Load Ratings Used for Helicopters

Helicopter tires have special load ratings. When used on helicopters, standard aircraft tires may be rated up to a factor of 1.50 for both load and inflation. In limited cases, maximum inflation of 1.8 times normal inflation may be permissible. These factors are to be applied to ratings shown in the tables for standard aircraft tires.

Maximum allowable dimensions for new tires used on helicopters are 4 percent larger than maximum aircraft tire dimensions. (In calculating maximum outside and shoulder diameters, rim diameters are deducted before applying the 4 %)

Radius of Gyration

TIRE ASSEMBLIES The approximate value for the radius of gyration for tire assemblies is calculated by the formula:

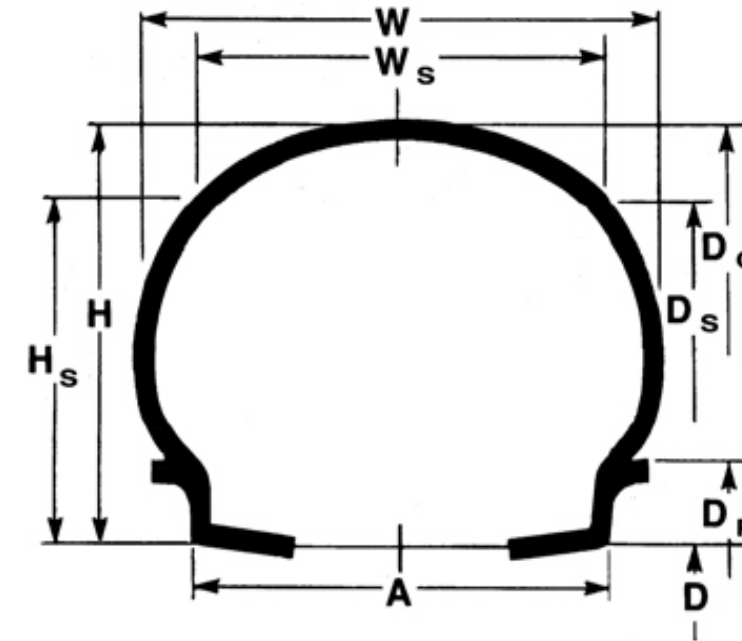
$$\text{Radius of gyration} = \frac{\text{Max O.D.} + \text{Min O.D.}}{5.12}$$

WHEEL ASSEMBLIES The approximate (+/- 20 %) value for the radius of gyration for wheel assemblies is calculated by the formula:

$$\text{Radius of gyration (Incl. rotating brake parts)} = 0.40 \times "D" \text{ ("D" = rim ledge diameter)}$$



Aircraft Tire Dimensions and Deflection



- D = Rim Ledge Diameter
 - D_F = Rim Flange Outer Diameter
 - D_o = Outside Diameter
 - D_s = Shoulder Diameter
 - W = Cross Section Width
 - W_s = Shoulder Width
 - H = Section Height
 - H_s = Shoulder Section Width
 - Maximum dimensions of new, unused inflated tires (after 12 hours stretch minimum).
- $$W_s(\text{max}) = .90 W(\text{max})$$
- $$D_s(\text{max}) = 2 (.90 H(\text{max})) + D$$
- $$H = \frac{D_o - D}{2}$$
- $$H_s = \frac{D_s - D}{2}$$

METHOD OF CALCULATION

$$SLR = \frac{D_M}{2} - d \left[\frac{D_M - D_F}{2} \right]$$

SLR = Static Load Radius

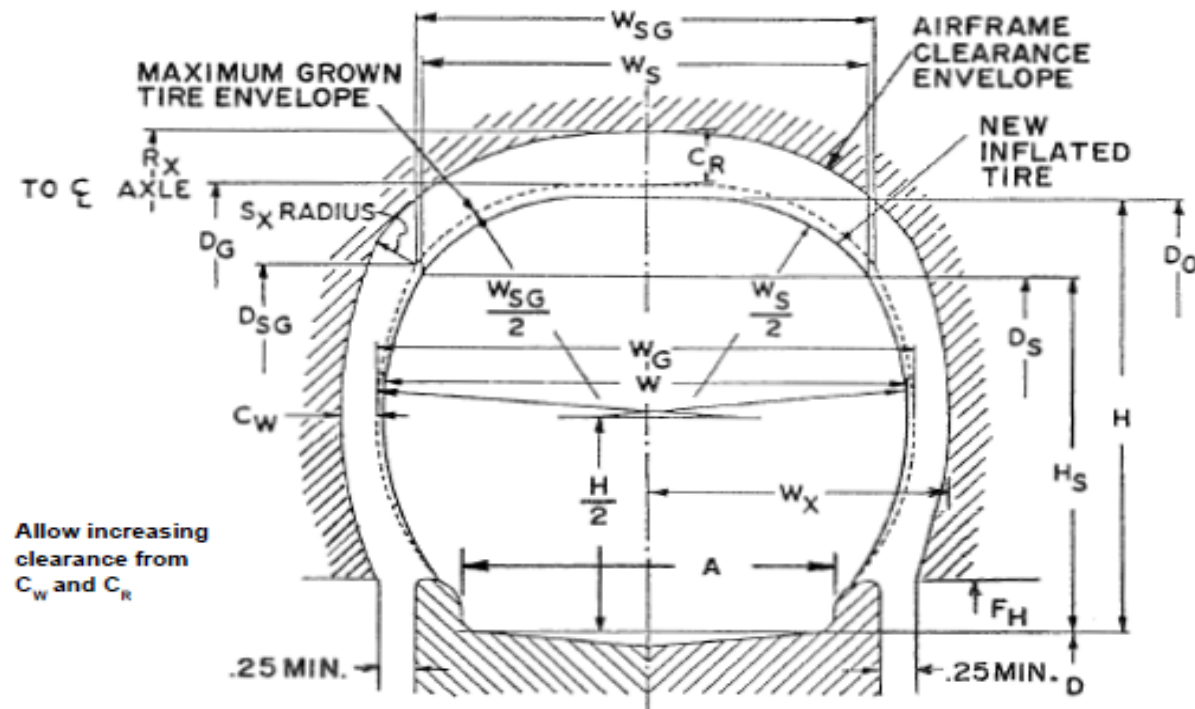
D_M = Mean Overall Tire Diameter @ C/L

D_F = Rim Flange Outer Diameter

d = Percent Tire Deflection (in Decimal Form)

Growth and Minimum Clearance Allowance—Bias

- A. An allowance on the maximum tire dimensions shown in tables must be made to compensate for the growth, stretch or deformation of the tire above the horizontal centerline during service. It is important that the following rules be observed by anyone using aircraft tire dimensions:



The above drawing represents clearances required for an unloaded free-spinning grown tire or a loaded grown tire above the axle centerline.

Note: Radii $W_S/2$ and $W_{SG}/2$ are drawn through their respective shoulder points tangent to D_O and D_G respectively. Radii below the shoulder points pass through the shoulder points and are tangent to W and W_G respectively.

D = Specified Rim Diameter
 * D_O = Maximum Outside Diameter
 *H = Maximum Section Height
 *W = Maximum Cross Section Width
 * D_S = Maximum Shoulder Diameter
 * H_S = Maximum Shoulder Height
 A = Width Between Flanges

* W_S = Maximum Shoulder Width
 W_G = Maximum Grown Section Width
 D_G = Maximum Grown Outside Diameter
 W_{SG} = Maximum Grown Shoulder Width
 D_{SG} = Maximum Grown Shoulder Diameter

*Dimensions of new, unused inflated tire.
 Obtain new tire dimensions D_O , D_S , W, and W_S shown in tire tables.

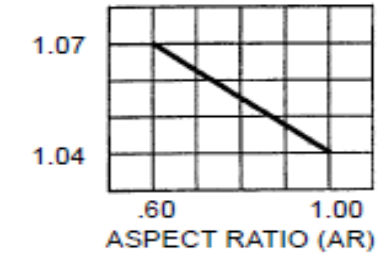
Growth and Minimum Clearance Allowance—Bias

A. (continued)

Note: Dimensions "W" and " W_G " include all protective side ribs, lettering, bars and decorations, excluding chines. Determine "grown" dimensions as follows: (use appropriate growth factor)

$$\begin{aligned} W_G &= G_W(W) \\ D_O &= D + 2(G_H)(H) \\ W_{SG} &= G_W(W_S) \\ D_{SG} &= D + 2(G_H)(H_S) \\ H &= (D_O - D)/2 \\ H_S &= (D_S - D)/2 \end{aligned}$$

SECTION HEIGHT GROWTH FACTOR (G_H)



Section Height Growth Factor $G_H = 1.115 - (.075 \times AR)$
 Section Width Growth Factor $G_W = 1.04$

- B. Clearance allowances between the tire and the adjacent parts of the aircraft must be made by the aircraft manufacturer. These allowances are to be based on the maximum overall tire dimensions shown in the tables, plus growth allowances due to service, plus the increase in diameter due to centrifugal force, and tire deformation above the horizontal centerline due to load. Minimum distances to adjacent parts of the aircraft are determined as follows:

1. Determine maximum grown tire envelope as instructed in note 12.A on page 8.
2. Obtain radial clearance C_R and lateral clearance C_W from the following formulae:

$$C_R = \left[\frac{17.02 + 2.61 (\text{SPEED}/100)^{3.348}}{1000} \right] \times W_G + 0.4$$

SPEED = MPH

$$C_W = .019 \times W_G + .23$$

3. Determine distance to adjacent parts as follows:

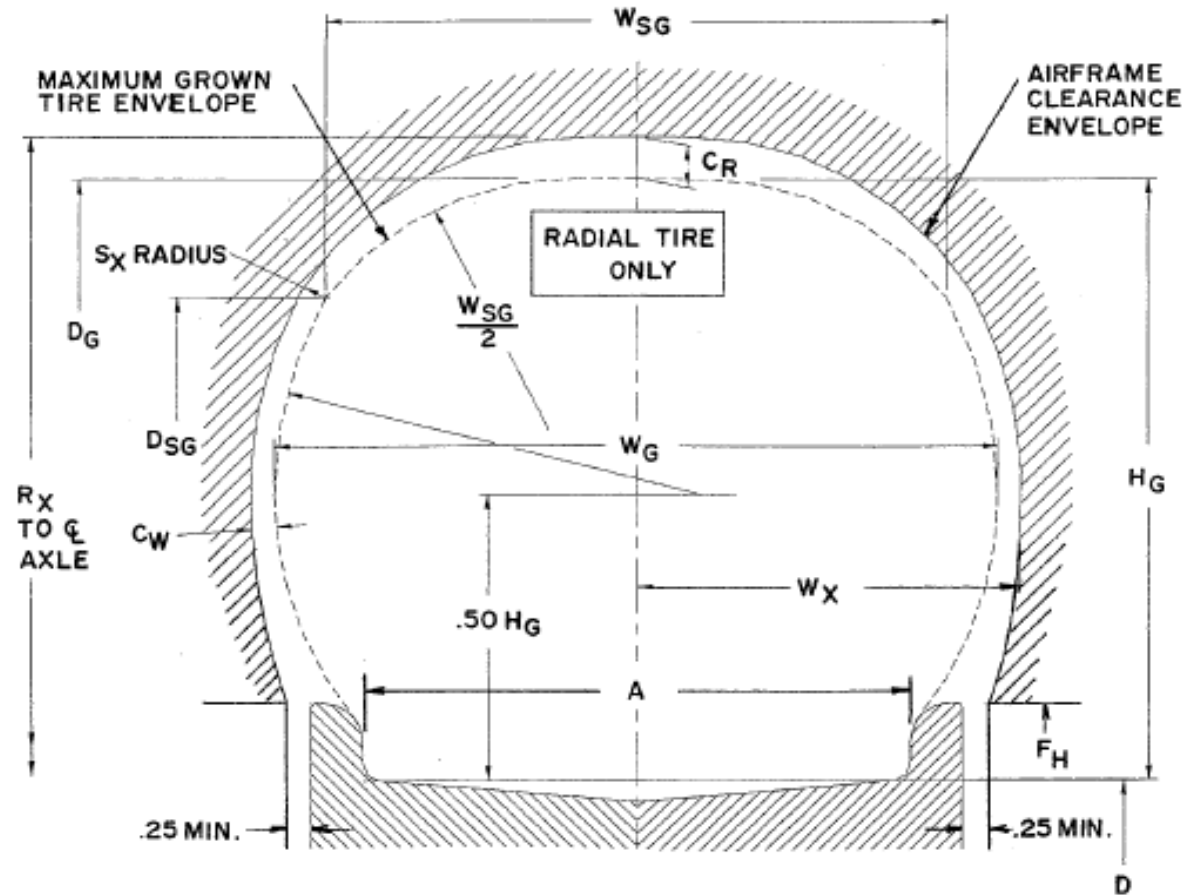
$$R_x (\text{min.}) = \text{Radial distance from axle centerline to adjacent part} = (D_G/2) + C_R$$

$$W_x (\text{min.}) = \text{Lateral distance from the centerline to adjacent part} = (W_G/2) + C_W$$

$$S_x (\text{min.}) = \text{Clearance allowed between tire shoulder area and adjacent part} = (C_W + C_R) / 2$$

Growth and Minimum Clearance Allowance—Radial

- A. An allowance on the maximum tire dimensions shown in tables must be made to compensate for the growth, stretch or deformation of the tire above the horizontal centerline during service. It is important that the following rules be observed by anyone using aircraft tire dimensions:



The above drawing represents clearances required for an unloaded free-spinning grown tire or a loaded grown tire above the axle centerline.

Note: Radii $W_{SG}/2$ is drawn through its respective shoulder point tangent to D_G . Radii below the shoulder points pass through the shoulder points and are tangent to W_G .

- W_G = Maximum Grown Section Width
- D_G = Maximum Grown Outside Diameter
- W_{SG} = Maximum Grown Shoulder Width
- D_{SG} = Maximum Grown Shoulder Diameter
- H_G = Maximum Grown Section Height
- A = Rim Width Between Flanges

Growth and Minimum Clearance Allowance—Radial

- A. (continued)

Note: Dimension " W_G " includes all protective side ribs, lettering, bars and decorations, excluding chins. Determine radial tire "maximum grown tire envelope" dimensions as follows based on Inch Code or Metric designation:

DIMENSION		FORMULA	
Inch Code	Metric	INCH CODE TIRES	METRIC TIRES
W_G	W'_G	$W_T \times 1.04$	$W_T \times 1.04$
W_{SG}	W'_{SG}	$W_G \times 0.90$	$W_G \times 0.88$
D_G	D'_G	$(D_T - D) \times G_H + D$	$(D'_T - D) \times G'_H + D$
D_{SG}	D'_{SG}	$(D_G - D) \times 0.90 + D$	$(D'_G - D) \times 0.90 + D$
G_H	G'_H	$1.115 - (0.075 \times AR)$	$1.115 - (0.075 \times AR')$
AR	AR'	$(D_T - D) / (2 \times W_T)$	$[D'_T - (D \times 25.4)] / (2 \times W'_T)$

D_T = Theoretical maximum new tire outside diameter of Inch Code radial ply tire (Maximum new tire diameter of bias equivalent)

D'_T = Theoretical maximum new tire outside diameter of metric tire used in calculation of maximum grown overall diameter

W_T = Theoretical maximum new tire width (Maximum new tire width of bias equivalent)

W'_T = Theoretical maximum new tire width (Metric Tire) (Maximum new tire width of bias equivalent)

- B. Clearance allowances between the tire and the adjacent parts of the aircraft must be made by the aircraft manufacturer. These allowances are to be based on the maximum overall tire dimensions shown in the tables, plus growth allowances due to service, plus the increase in diameter due to centrifugal force, and tire deformation above the horizontal centerline due to load. Minimum distances to adjacent parts of the aircraft are determined as follows:

1. Determine maximum grown tire envelope as instructed in note 13.A on page 10.

2. Obtain radial clearance C_R and lateral clearance C_W from the following formulae:
NOTE: Radial tires require less clearance between the maximum grown tire envelope and the surrounding aircraft structure than bias tires. Aircraft designed for RADIAL TIRE USE ONLY can apply the clearance values below:

Radial Tire Only Envelope

$$C_R = [0.029 \times (D_G - D)^2 \times (W_G - A)^2 \times (\text{SPEED}/D_G)^2] + 0.15$$

SPEED = MPH

$$C_W = 0.01 \times W_G, (0.10 \text{ MIN.})$$

3. Determine distance to adjacent parts as follows:

$$R_x (\text{min.}) = \text{Radial distance from axle centerline to adjacent part} = (D_G/2) + C_R$$

$$W_x (\text{min.}) = \text{Lateral distance from the centerline to adjacent part} = (W_G/2) + C_W$$

$$S_x (\text{min.}) = \text{Clearance allowed between tire shoulder area and adjacent part} = (C_W + C_R) / 2$$

