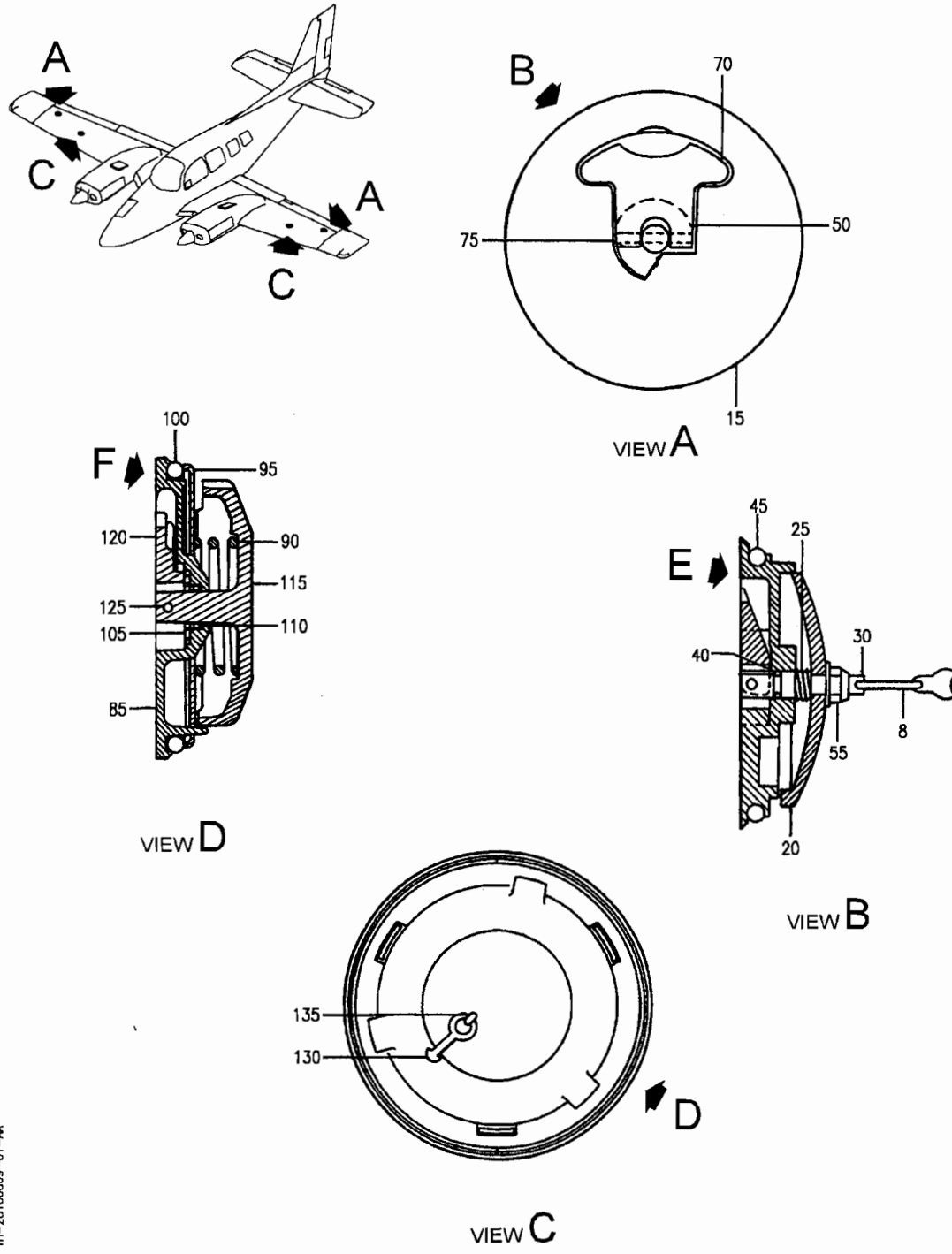


Hawker Beechcraft Corporation
BARON B55, E55, 58 & G58 ILLUSTRATED PARTS CATALOG

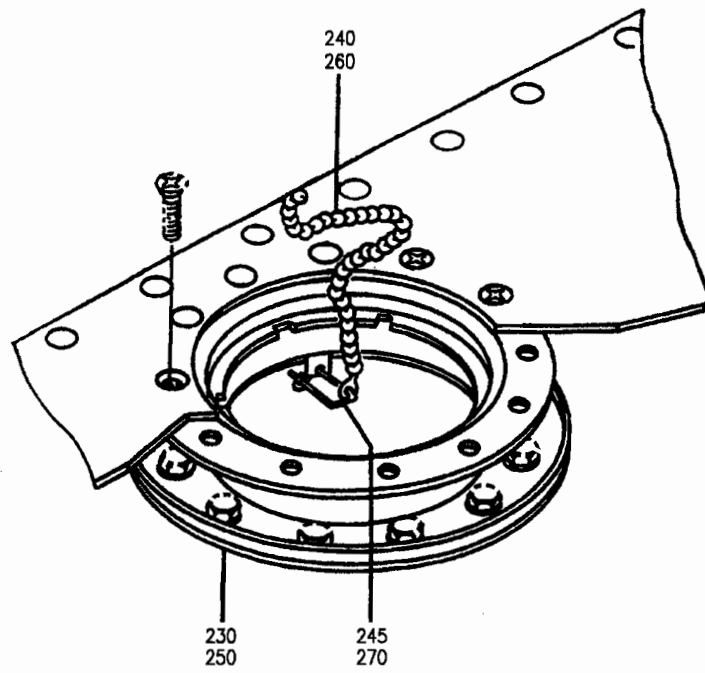


TH-2810009-01-AA

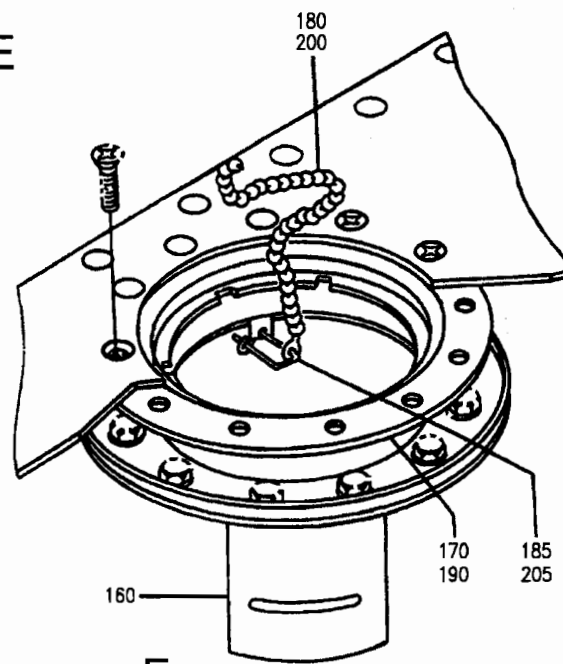
FUEL CAP AND ADAPTER
SHEET 1 OF 2

28-10-00-09
PAGE 0
JAN 01/11

Hawker Beechcraft Corporation
BARON B55, E55, 58 & G58 ILLUSTRATED PARTS CATALOG



VIEW E



VIEW F

FUEL CAP AND ADAPTER
SHEET 2 OF 2

28-10-00-09
PAGE 0A
JAN 01/11

R 28100009 SHT 2 REV 014

PAGE INTENTIONALLY LEFT BLANK

Hawker Beechcraft Corporation
 BARON B55, E55, 58 & G58 ILLUSTRATED PARTS CATALOG

FIG ITEM	PART NUMBER	NOMENCLATURE 1 2 3 4 5 6 7	USABLE ON CODE	UNITS PER ASSY
09		FUEL CAP AND ADAPTER	FE	
-5	96-380035	CAP ASSY-FUEL TANK FILLER FOR SPARES ORDER: 96-380035-1 FOR NHA SEE: 28-10-00-01 28-10-00-02 28-10-00-03 28-10-00-05	FE	RF
-5	96-380035-1	CAP ASSY-FUEL TANK FILLER ALTERNATE SPARE 96-380035-3 SPARES REPLACEMENT FOR: 96-380035	FE	RF
-7	431-40	.CAP ASSY	FE	1
8	416-13	..HOOK	FE	1
-10	431-9	..BODY ASSY	FE	1
15	431-14	...BASE	FE	1
20	431-11	...PAWL	FE	1
25	431-13	...SPRING	FE	1
30	416-16	...AXLE	FE	1
40	MS29513-10	...PACKING- FOR SPARES ORDER: MS29513-010	FE	1
40	MS29513-010	...PACKING- SPARES REPLACEMENT FOR: MS29513-10	FE	1
45	MS29513-338	...PACKING	FE	1
50	431-18	...PLATE-BEARING	FE	1
55	130909N7	...NUT	FE	1
-60	431-140	...WASHER	FE	1
-65	MS24665-151	...PIN	FE	1
70	431-15	...HANDLE	FE	1
75	416-9-1	ATTACHING PARTS ...PIN	FE	1
-80	96-380035-3	-----*----- CAP ASSY-FUEL TANK FILLER ALTERNATE SPARE: 96-380035-1	FE	RF
-82	37810-1	.CAP ASSY	FE	1
85	37685-2	..BASE	FE	1
90	37693	..SPRING	FE	1
95	37691	..RETAINER	FE	1
100	37617-339	..RING	FE	1
105	37117	..PLATE-BEARING	FE	1
110	MS9021-110	..RING- FOR SPARES ORDER: AS3578-110	FE	1
110	AS3578-110	..PACKING- SPARES REPLACEMENT FOR: MS9021-110	FE	1

MISSING ITEM NO. NOT APPLICABLE

- ITEM NOT ILLUSTRATED

28-10-00-09

PAGE 1
JAN 01/11

BARON

Hawker Beechcraft Corporation
 BARON B55, E55, 58 & G58 ILLUSTRATED PARTS CATALOG

FIG ITEM	PART NUMBER	NOMENCLATURE 1 2 3 4 5 6 7	USABLE ON CODE	UNITS PER ASSY
09				
115	38038	..LOCK	FE	1
120	C37656-41	..HANDLE ATTACHING PARTS	FE	1
125	38061	..PIN-HANDLE -----*-----	FE	1
130	38104	..COUPLING	FE	1
135	AN381-3-8	..PIN-COTTER	FE	1
-140	58-920029-1	ADAPTER ASSY-FILLER CAP,OUTBD LEADING EDGE FOR NHA SEE: 28-10-00-01 28-10-00-02 28-10-00-03 28-10-00-04	FE	RF
160	58-920029-7	.PLATE	FE	1
170	96-380036-11	.ADAPTER ASSY	FE	1
170	HE651-11	..ADAPTER ASSY- ALTERNATE SPARE: 38478	FE	1
-175	K1000-3	...NUTPLATE- FOR SPARES ORDER: MS21047L3 130909N33	FE	1
-175	MS21047L3	...NUTPLATE- SPARES REPLACEMENT FOR: K1000-3	FE	1
-175	130909N33	...NUTPLATE- SPARES REPLACEMENT FOR: K1000-3	FE	1
180	NAS1201B1C	...CHAIN	FE	1
185	HE1414	...PIN-SAFETY	FE	1
190	38478	..ADAPTER ASSY- ALTERNATE SPARE: HE651-11	FE	1
-195	37827	...NUT-ANCHOR	FE	1
200	38105-5	...CHAIN	FE	1
205	39A4240	...HOOK- FOR SPARES ORDER: MS29523-1	FE	1
205	MS29523-1	...HOOK- SPARES REPLACEMENT FOR: 39A4240	FE	1
-210	36-5013-1S	ADAPTER ASSY-FUEL FILLER CAP-BOX SECTION SPARES REPLACEMENT FOR: 96-380036-1 37-825 HE651-1	FE	RF

MISSING ITEM NO. NOT APPLICABLE

- ITEM NOT ILLUSTRATED

28-10-00-09
 PAGE 2
 JAN 01/11

BARON

Hawker Beechcraft Corporation
BARON B55, E55, 58 & G58 ILLUSTRATED PARTS CATALOG

FIG ITEM	PART NUMBER	NOMENCLATURE 1 2 3 4 5 6 7	USABLE ON CODE	UNITS PER ASSY
09 -210	96-380036-1	ADAPTER ASSY-FUEL FILLER CAP-BOX SECTION FOR SPARES ORDER: 36-5013-1S FOR NHA SEE: 28-10-00-01 28-10-00-02 28-10-00-03	FE	RF
230	37825	.ADAPTER ASSY- ALTERNATE SPARE: HE651-1 FOR SPARES ORDER: 36-5013-1S	FE	RF
-235	AN366-F1032	..NUTPLATE- FOR SPARES ORDER: MS21078-3	FE	12
-235	MS21078-3	..NUTPLATE- SPARES REPLACEMENT FOR: AN366-F1032	FE	12
240	38105-5	..CHAIN-BEAD	FE	1
245	39A4240	..HOOK- FOR SPARES ORDER: MS29523-1	FE	1
245	MS29523-1	..HOOK- SPARES REPLACEMENT FOR: 39A4240	FE	1
250	HE651-1	.ADAPTER ASSY- ALTERNATE SPARE: 37825 FOR SPARES ORDER: 36-5013-1S	FE	RF
-255	K1000-3	..NUTPLATE- FOR SPARES ORDER: MS21047L3 130909N33	FE	12
-255	MS21047L3	..NUTPLATE- SPARES REPLACEMENT FOR: K1000-3	FE	12
-255	130909N33	..NUTPLATE- SPARES REPLACEMENT FOR: K1000-3	FE	12
260	NAS1201B1C	..CHAIN	FE	RF
-265	10A167	..COUPLING	FE	1
270	HE1414	..PIN-SAFETY	FE	RF
FE		C1608-C9999,E0938-E0938, E0943-E1201,H0001-H1450		
MISSING ITEM NO. NOT APPLICABLE				

- ITEM NOT ILLUSTRATED

28-10-00-09

PAGE 3
JAN 01/11

BARON