

MOONEY AIRPLANE COMPANY, INC.
M20J - ILLUSTRATED PARTS CATALOG

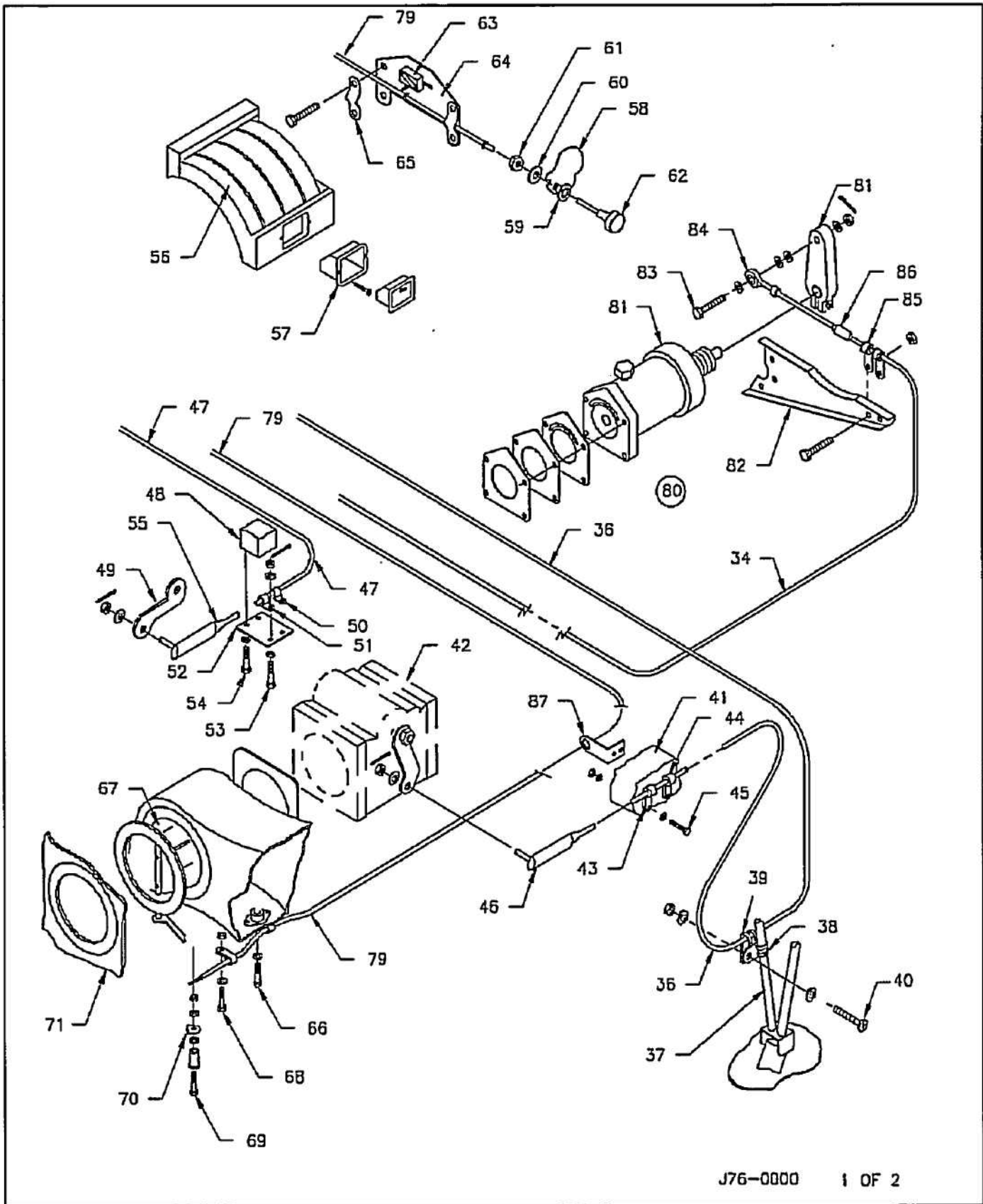
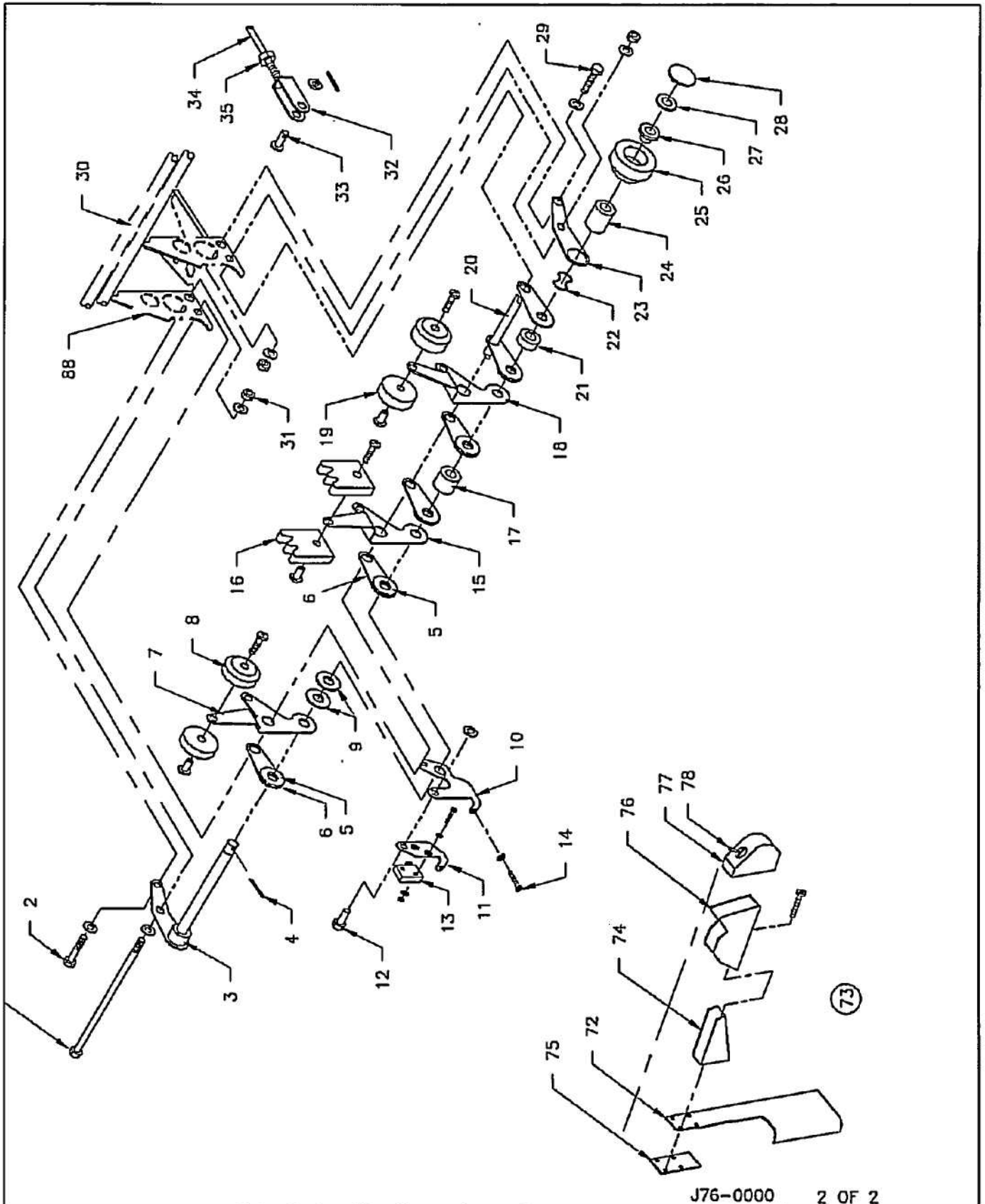


FIGURE 4—POWER PLANT CONTROL INST., QUADRANT (SHEET 1 OF 2)

MOONEY AIRPLANE COMPANY, INC.
M20J - ILLUSTRATED PARTS CATALOG



J76-0000 2 OF 2

FIGURE 4—POWER PLANT CONTROL INST., QUADRANT (SHEET 2 OF 2)

MOONEY AIRPLANE COMPANY, INC.
M20J - ILLUSTRATED PARTS CATALOG

SECTION FIG-ITEM	PART NUMBER	12345 NOMENCLATURE	EFFECT/ NOTES	UNITS/ ASSY
76-00-00				REF
4 -	600363	POWER PLANT INSTL (SEE 71-00-00)		
4 -	660149-503	POWER PLANT CONTROL INSTL	//	1
4 -	660192-503	.QUADRANT-ENGINE CONTROLS	//	1
4 -1	AN3-36A	.@BOLT, QUADRANT		1
4 -1	AN960-10L	.@WASHER		2
4 -1	AN365-1032	.@NUT		1
4 -2	AN4-5A	.@BOLT		1
4 -2	AN960-416	.@WASHER		1
4 -3	660192-005	.SHAFT ASSY		1
4 -3	660192-015	..SPACER		1
4 -3	660192-021	..SHAFT		1
4 -3	660192-025	..PLATE		1
4 -3	MS9048-104	..ROLL PIN		1
4 -4	AN380-2-2	.PIN, COTTER		1
4 -5	660192-023	.DISC		5
4 -6	660192-031	.PLATE		6
4 -7	660192-069	.LEVER, THROTTLE		1
4 -8	660140-000	.KNOB HALF		2
4 -8	R3/4	.@SCREW (NI)		2
4 -8	914071-003	.@NUT (NI)		1
4 -9	660192-035	.DISC		2
4 -10	660192-071	.PLATE		1
4 -11	660192-073	.ARM		1
4 -12	AN363-7	.@PIN		1
4 -12	3502-10-17	.@WASHER		1
4 -12	AN960-10	.@WASHER		1
4 -12	AN380-2-2	.@PIN, COTTER		1
4 -13	1SM1-T	.GEAR WARNING SWITCH		1
4 -14	AN515-8R10	.@SCREW		1
4 -14	AN936-A8	.@WASHER		1
4 -14	LC-022C-4	.SPRING		1
4 -15	660192-065	.LEVER, PROPELLER GOVERNOR CONTROL		1
4 -16	660139-000	.KNOB HALF		2
4 -16	R5/8	.@SCREW		1
4 -16	914071-003	.@NUT		1
4 -17	660192-019	.SPACER		1
4 -18	660192-067	.LEVER, MIXTURE CONTROL		1
4 -19	660138-000	.KNOB HALF		2
4 -19	R5/8	.@SCREW		1
4 -19	914071-003	.@NUT		1
4 -20	660192-037	.BUSHING		1
4 -21	660192-039	.SPACER		1
4 -22	3515-32-02	.WASHER, SPRING		1
4 -23	660192-025	.PLATE		1
4 -24	660192-017	.SPACER		1
4 -25	660144-000	.KNOB		1
4 -26	660192-033	.WASHER		1
4 -27	AN960-516L	.WASHER		1
4 -28	SS48174	.PLUG		1

MOONEY AIRPLANE COMPANY, INC.
M20J - ILLUSTRATED PARTS CATALOG

SECTION FIG-ITEM	PART NUMBER	12345 NOMENCLATURE	EFFECT/ NOTES	UNITS/ ASSY
4 -29	AN4-5A	.@BOLT		1
4 -29	AN960-416	.@WASHER		1
4 -30	340155	TUBULAR STRUCTURE (SEE 53-10-01)		REF
4 -31	AN365-428	.@NUT		1
4 -31	AN960-416	.@WASHER		1
4 -32	MS35812-1	.CLEVIS ASSY (FOR THROTTLE & MIXTURE CONTROLS)		2
4 -32	RA-13-187-1	.YOKE (FOR PROPELLER GOVERNOR CONTROL)		1
4 -33	MS20392-2C15	.@PIN (FOR THROTTLE & MIXTURE CONTROLS)		2
4 -33	MS20392-2C17	.@PIN (FOR PROPELLER GOVERNOR CONTROL)		1
4 -33	AN960-8	.@WASHER (FOR THROTTLE & MIXTURE CONTROLS)		2
4 -33	AN960-10	.@WASHER (FOR PROPELLER GOVERNOR CONTROL)		2
4 -33	AN960-10L	.@WASHER (FOR PROPELLER GOVERNOR CONTROL)		1
4 -33	AN380-2-1	.@PIN, COTTER		1
4 -34	660166-003	.CONTROL, PROPELLER GOVERNOR		1
4 -35	AN315-3R	.NUT, CABLE		1
4 -36	660166-005	.CONTROL, MIXTURE		1
4 -37	590000	ENGINE MOUNT (SEE 71-00-00)		REF
4 -38	MS21919DG8	.@CLAMP (R/B MS21919WCJ8)		1
4 -38	MS21919WCJ8	.@CLAMP (SPARES)		1
4 -39	MS21919DG4	.@CLAMP		1
4 -40	AN3-4A	.@BOLT		1
4 -40	AN960-10	.@WASHER		2
4 -40	AN365-1032	.@NUT		1
4 -41	IO-360	ENGINE SUMP (SEE 71-00-00)		REF
4 -42	IO-360	FUEL INJECTOR (SEE 71-00-00)		REF
4 -43	AN742-5	.@CLAMP		1
4 -44	AN742-3	.@CLAMP		1
4 -45	AN3-10A	.@BOLT		2
4 -45	AN960-10	.@WASHER		2
4 -45	AN960-10L	.@WASHER		2
4 -45	MS21045-L3	.@NUT		2
4 -46	660051-003	.SWIVEL JOINT, MIXTURE		1
4 -46	550017-005	.@SPACER		2
4 -46	AN960-10	.@WASHER		2
4 -46	AN310-3	.@NUT		1
4 -46	AN380-2-2	.@PIN, COTTER		1
4 -47	660166-007	.CONTROL, THROTTLE		1
4 -48	IO-360	ENGINE SUMP (SEE 71-00-00)		REF
4 -49	IO-360	THROTTLE ARM (SEE 71-00-00)		REF
4 -50	AN742-3	.@CLAMP		1
4 -51	AN742-5	.@CLAMP		1
4 -52	660123-000	.PLATE		1
4 -53	AN3-3	.@BOLT		2
4 -53	AN960-10	.@WASHER		4

MOONEY AIRPLANE COMPANY, INC.
M20J - ILLUSTRATED PARTS CATALOG

SECTION FIG-ITEM	PART NUMBER	12345 NOMENCLATURE	EFFECT/ NOTES	UNITS/ ASSY
4 -53	AN310-3	..@NUT		2
4 -53	AN380-2-3	..@PIN, COTTER		2
4 -54	AN74-4	..@BOLT		2
4 -54	AN960-416L	..@WASHER		2
4 -55	660051-003	..SWIVEL JOINT, THROTTLE		1
4 -55	AN315-3R	..@NUT, CABLE		1
4 -55	AN960-10	..@WASHER		AR
4 -55	AN310-3	..@NUT		1
4 -56	340275-503	CONSOLE ASSY & INSTL (SEE 53-20-03)		REF
4 -56	340275-043	..COVER, QUADRANT		1
4 -57	2A20580	..ASHTRAY		1
4 -57	AN507-632R6	..@SCREW		2
4 -57	RM52LHTA51-62	..@NUT PLATE		2

NOTE: FOR REMAINDER OF CONSOLE PARTS, SEE 53-20-03 OR SERVICE & MAINTENANCE MANUAL (SECTION 91) ELECTRICAL SCHEMATICS FOR ELECTRICAL PARTS.

4 -58	820301	INSTRUMENT PANEL (SEE 39-10-01)		REF
4 -59	640280-003	..@BUSHING		1
4 -60	AN936-A1016	..@WASHER		1
4 -61	AN316-10R	..@NUT		1
4 -62	#278	..KNOB		1
4 -63	V3-1	..WARNING SWITCH (KAM AIR)		1
4 -64	660052-503	..BRACKET		1
4 -64	660052-005	..INSULATOR		1
4 -65	AN750-F6	..@CLAMP		2
4 -65	MS21315-009	..STRAP (ALT)		2
4 -65	AN526-832R8	..@SCREW		4
4 -65	AN960-8	..@WASHER		4
4 -65	AN365-832	..@NUT		4
4 -66	AN742-4	..@CLAMP		1
4 -66	AN3-3A	..@BOLT		1
4 -66	AN960-10	..@WASHER		1
4 -67	600355	RAM AIR DUCT (SEE 71-60-00)		REF
4 -68	AN742-4	..@CLAMP		1
4 -68	AN3-3A	..@BOLT		1
4 -68	AN960-10	..@WASHER		1
4 -68	MS21044N3	..@NUT		1
4 -69	AN515-8R7	..@SCREW		1
4 -69	13-0403-01	..@CABLE STOP		1
4 -69	AN960-416L	..@WASHER		1
4 -69	AN960-416	..@WASHER		1
4 -69	AN340-8	..@CHECK NUT		1
4 -70	600356	ARM, DOOR ASSY, RAM AIR (SEE 71-60-00)		REF
4 -71	650180	COWLING, LOWER (SEE 71-10-00)		REF
4 -72	340275	AFT CONSOLE SUPPORT		REF
4 -73	750107-501	..SUB QUADRANT ASSY & INSTL		1
4 -74	750107-001	..BRACKET ASSY		1
4 -74	750107-003	...BRACKET		1
4 -74	RM52LHTA55-02	...NUT PLATE (NI)		2

MOONEY AIRPLANE COMPANY, INC.
M20J - ILLUSTRATED PARTS CATALOG

SECTION FIG-ITEM	PART NUMBER	12345 NOMENCLATURE	EFFECT/ NOTES	UNITS/ ASSY
4 -75	750107-005	..STIFFENER		1
4 -76	750107-007	..HOUSING		1
4 -76	MS35207-261	..@SCREW		2
4 -77	750107-009	..COVER		1
4 -78	V3L-3	FLAP SWITCH (SEE 27-50-00)		REF
4 -79	640257-017	.CONTROL, RAM AIR PUSH-PULL		1
4 -80	680025-501	PROP GOVERNOR & CONTROL INST		1
4 -81	660115-503	.GOVERNOR, PROPELLER		1
4 -81	660115-501	.GOVERNOR, PROPELLER (ALT)		1
4 -81	MS100009	.GASKET (SUPPLIED W/ GOVERNOR)		1
4 -81	B20024	.GASKET (ALT) (McCAULEY)		1
4 -81	LW12347	.PLATE (LYC)		1
4 -81	72053	.GASKET (LYCOMING)		1
4 -82	660199-001	.BRACKET, SUPPORT		1
4 -83	HF-3	.JOINT, SWIVEL BEARING		1
4 -83	AN315-3R	.NUT, ADJUSTING, CABLE		1
4 -84	AN3-10	..@BOLT		1
4 -84	AN960-10	..@WASHER		2
4 -84	AN960-10L	..@WASHER		2
4 -84	AN320-3	..@NUT (R/B MS14144L3)		1
4 -84	MS14144L3	..@NUT (SPARES)		1
4 -84	AN380-2-2	..@PIN, COTTER		1
4 -85	MS21919DG5	..@CLAMP		2
4 -85	AN3-5A	..@BOLT		2
4 -85	AN960-10	..@WASHER		4
4 -85	AN960-10L	..@WASHER		2
4 -85	AN363-1032	..@NUT		2
4 -85	MS21045-L3	..@NUT (ALT)		2
4 -86	914022-019	.BUSHING		1
4 -87	660062-003	.CLIP		1
4 -87	NAS1368-6A	.GROMMET		1
4 -88	660137-501	SUPPORT ASSY, QUADRANT (SEE 53-10-02)		REF

EFFECTIVITIES:

I

24-0001 THRU 24-0083, 24-0085 THRU 24-0377

MOONEY AIRPLANE COMPANY, INC.
M20J - ILLUSTRATED PARTS CATALOG

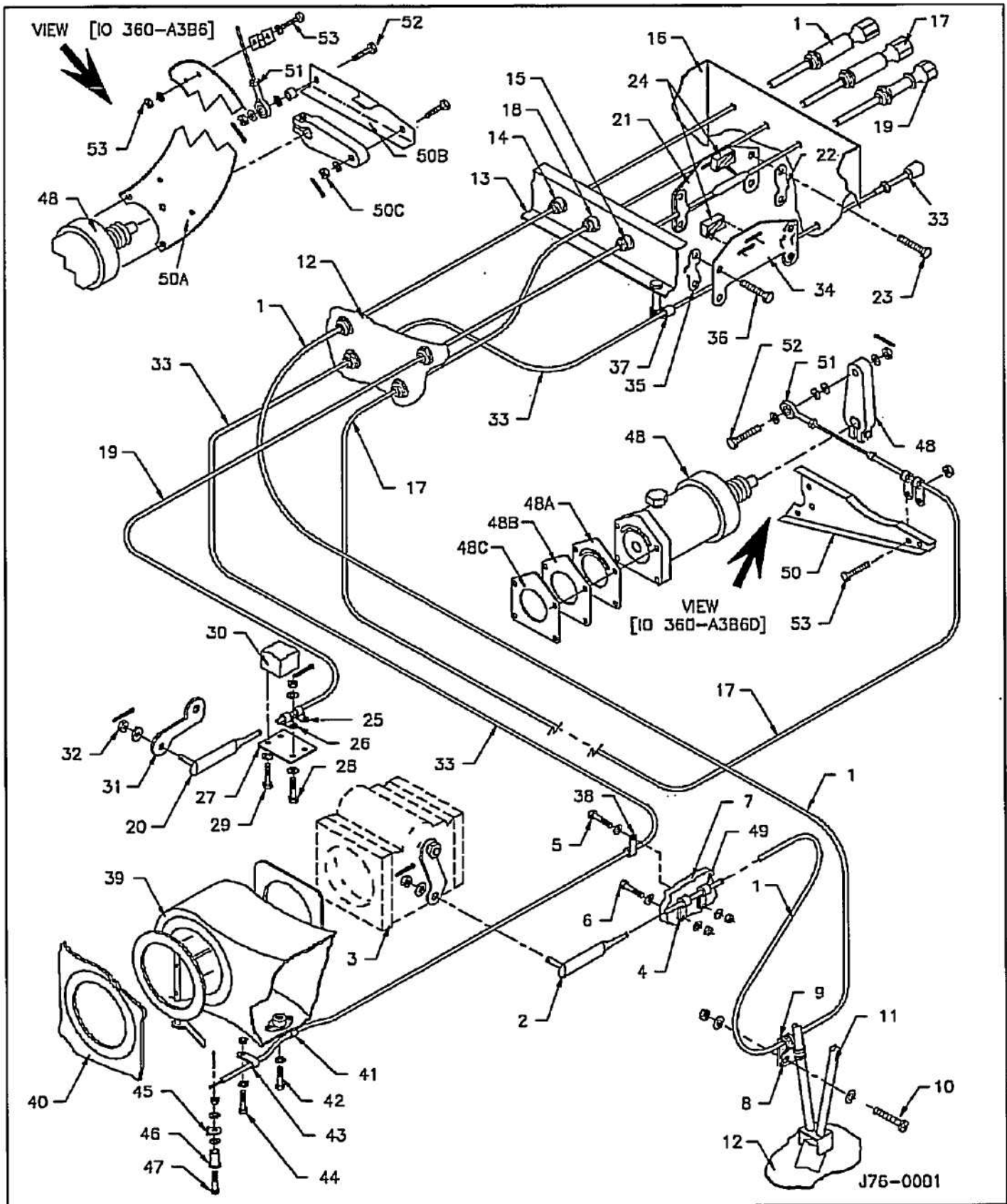


FIGURE 2—POWER PLANT CONTROLS INSTALLATION

MOONEY AIRPLANE COMPANY, INC.
M20J - ILLUSTRATED PARTS CATALOG

SECTION FIG-ITEM	PART NUMBER	12345 NOMENCLATURE	EFFECT/ NOTES	UNITS/ ASSY
76-00-01				
2 -	600363	POWER PLANT INSTL (SEE 71-00-00)		REF
2 -	660149-505	CONTROLS INSTL, POWER PLANT	I/	1
2 -	660149-507	CONTROLS INSTL, POWER PLANT	V/	1
2 -1	660226-005	.CONTROL, MIXTURE (HARDWARE FURNISHED WITH CONTROL CABLE) (NI)	/2	1
2 -1	660225-003	.CONTROL (ALT)		1
2 -1	660231-1	.STANDOFF (USED W/660225-003)		1
2 -2	660051-005	.JOINT, SWIVEL ASSY	/1	1
2 -2	AN960-10L	..@WASHER		2
2 -2	AN310-3	..@NUT		1
2 -2	AN380-2-2	..@PIN, COTTER		1
2 -3	IO-360	INJECTOR, FUEL (LYCOMING)		REF
2 -4	AN742-5	..@CLAMP		1
2 -5	AN3-11A	..@BOLT	III/	1
2 -5	AN3-12A	..@BOLT	II/	1
2 -5	AN960-10	..@WASHER		2
2 -5	AN960-10L	..@WASHER		2
2 -5	MS21045L3	..@NUT		1
2 -6	AN3-10A	..@BOLT	III/	1
2 -6	AN3-12A	..@BOLT	II/	1
2 -6	AN960-10	..@WASHER		1
2 -6	AN960-10L	..@WASHER		1
2 -6	MS21045L3	..@NUT		1
2 -7	IO-360	SUMP, ENGINE (LYCOMING)		REF
2 -8	MS21919DG8	..@CLAMP (R/B MS21919WCJ8)	IV/	1
2 -8	MS21919WCJ8	..@CLAMP (SPARES)	IV/	1
2 -9	MS21919DG4	..@CLAMP	IV/	1
2 -10	AN3-4A	..@BOLT	IV/	1
2 -10	AN960-10	..@WASHER	IV/	2
2 -10	AN365-1032	..@NUT	IV/	1
2 -11	590000	MOUNT, ENGINE (SEE 71-00-00)		REF
2 -12	600354	FIREWALL (SEE 53-20-00)		REF
2 -13	660136	BRACKET, TUBULAR STRUCTURE (SEE 53-10-02)		REF
2 -14	MS35489-13	.GROMMET		1
2 -15	MS35489-134	.GROMMET		1
2 -16	340288	CONSOLE (SEE 53-20-03)		REF
2 -17	680025-501	PROP GOVERNOR & CONTROL INSTL (SEE 76-00-00)		REF
2 -17	660226-003	.CONTROL, PROP GOVERNOR (HARDWARE FURNISHED WITH CONTROL) (NI)		1
2 -17	565-127-001	..@WASHER, SPLIT, FRICTION		1
2 -18	MS35489-13	.GROMMET		1
2 -19	660226-001	.CONTROL, THROTTLE (HARDWARE FURNISHED WITH CONTROL) (NI)		1
2 -20	660051-005	.JOINT, SWIVEL ASSY	/1	1
2 -21	660052-001	.BRACKET, LG WARNING SW		1
2 -21	660052-005	.INSULATOR		1
2 -22	AN750-F6	..@CLAMP		2
2 -22	MS21315-9	.STRAP (ALT)		2
2 -23	AN526-832R8	..@SCREW		4

MOONEY AIRPLANE COMPANY, INC.
M20J - ILLUSTRATED PARTS CATALOG

SECTION FIG-ITEM	PART NUMBER	12345 NOMENCLATURE	EFFECT/ NOTES	UNITS/ ASSY
2 -23	AN960-8	.@WASHER		4
2 -23	AN365-832	.@NUT		4
2 -24	V3-1	.MICROSWITCH		2
2 -24	JV-5	.ACTUATOR		2
2 -25	AN742-3	.@CLAMP		1
2 -26	AN742-5	.@CLAMP		1
2 -27	660223-000	.PLATE, THROTTLE CABLE MOUNT		1
2 -28	AN3-3	.@BOLT		2
2 -28	AN960-10	.@WASHER		4
2 -28	AN310-3	.@NUT		2
2 -28	AN380-2-3	.@PIN, COTTER		2
2 -29	AN74-4	.@BOLT		2
2 -29	AN960-416L	.@WASHER		2
2 -29	AN995-F32	.@LOCKWIRE		AR
2 -30	IO-360	SUMP, ENGINE (LYCOMING)		REF
2 -31	IO-360	ARM, THROTTLE (LYCOMING)		REF
2 -32	AN315-3R	.@NUT		1
2 -32	AN960-10	.@WASHER		AR
2 -32	AN310-3	.@NUT		1
2 -33	640257-023	.CONTROL, RAM AIR (HARDWARE FURNISHED WITH CONTROL) (NI)	//	1
2 -33	NO. 278	.KNOB	//	1
2 -33	AN315-3R	.@LOCKNUT	//	1
2 -34	660052-503	.BRACKET, SW, RAM AIR WARN	//	1
2 -34	660052-005	.INSULATOR	//	1
2 -35	AN750-F4	.@CLAMP	//	2
2 -35	MS21315-5	.STRAP (ALT)		2
2 -36	AN526-832R8	.@SCREW	//	4
2 -36	AN960-8	.@WASHER	//	4
2 -36	AN365-832	.@NUT	//	4
2 -37	AN742-4	.@CLAMP	//	1
2 -37	AN3-3A	.@BOLT	//	1
2 -37	AN960-10	.@WASHER	//	1
2 -37	MS21044N3	.@NUT	//	1
2 -38	MS21919DG6	.@CLAMP, THROTTLE CABLE	III//	1
2 -38	660062-003	.CLIP	II//	1
2 -38	NAS1368-6-A	.GROMMET(NI)	II//	1
2 -39	600355	AIRBOX, INDUCTION (SEE 71-60-00)		REF
2 -40	650120	COWLING, LOWER (SEE 71-10-00)		REF
2 -41	AN742-4	.@CLAMP	//	1
2 -42	AN3-3A	.@BOLT	//	1
2 -42	AN960-10	.@WASHER	//	1
2 -43	AN742-4	.@CLAMP	//	1
2 -44	3-3A	.@BOLT	//	1
2 -44	AN960-10	.@WASHER	//	1
2 -44	MS21044N3	.@NUT	//	1
2 -45	600356	ARM, RAM AIR DOOR (SEE 71-60-00)		REF
2 -46	13-0403-01	.STOP, CABLE W/WASHER		1
2 -47	AN515-8R7	.@SCREW	//	1
2 -47	AN340-8	.@NUT, CHECK	//	1

MOONEY AIRPLANE COMPANY, INC.
M20J - ILLUSTRATED PARTS CATALOG

SECTION FIG-ITEM	PART NUMBER	12345 NOMENCLATURE	EFFECT/ NOTES	UNITS/ ASSY
2 -47	AN960-416L	.@WASHER	I/	1
2 -47	AN960-416	.@WASHER	I/	1
2 -48	660115-503	.GOVERNOR, PROPELLER (McCAULEY P/N, C290D5/T17)		1
2 -48	660115-501	.GOVERNOR, PROPELLER (EDO-AIRE) (ALT)		1
2 -48	660115-515	.GOVERNOR, PROPELLER	VII/	1
2 -48	660115-519	.GOVERNOR, PROPELLER (P/N DC290D1/T22)	VII/	1
2 -48A	MS100009	.GASKET (GARWIN) (SUPPLIED W/ GOVERNOR)		1
2 -48A	B20024	.GASKET (ALT) (McCAULEY)		1
2 -48B	LW12347	.PLATE (LYC)		1
2 -48C	72053	.GASKET (LYC)		1
2 -49	AN742-3	.@CLAMP, MIXTURE CABLE		1
2 -50	660199-001	.BRACKET, SUPPORT (IO 360-A3B6D)	VII/	1
2 -50A	660235-001	.BRACKET, SUPPORT (IO 360-A3B6)	VII/	1
2 -50B	660235-003	.BELLCRANK, GOV. ARM (IO 360-A3B6)	VII/	1
2 -50C	AN3-10	.@BOLT (IO 360-A3B6)	VII/	1
2 -50C	AN3-6	.@BOLT (IO 360-A3B6)	VII/	1
2 -50C	AN960-10	.@WASHER (IO 360-A3B6)	VII/	2
2 -50C	MS14144L3	.@NUT (IO 360-A3B6)	VII/	1
2 -50C	AN380-2-2	.@PIN, COTTER (IO 360-A3B6)	VII/	2
2 -51	HF-3	.BEARING, ROD END, SWIVEL		1
2 -51	AN315-3R	.NUT, ADJUSTMENT		1
2 -52	AN3-10	.@BOLT (IO 360-A3B6D)	VII/	1
2 -52	AN3-12	.@BOLT (IO 360-A3B6)	VII/	1
2 -52	914019-006	.@SPACER (IO 360-A3B6)	VII/	1
2 -52	AN960-10	.@WASHER (IO 360-A3B6D)	VII/	2
2 -52	AN960-10	.@WASHER (IO 360-A3B6)	VII/	1
2 -52	AN960-10L	.@WASHER (IO 360-A3B6D)	VII/	2
2 -52	913025-000	.@WASHER (IO 360-A3B6)	VII/	1
2 -52	AN320-3	.@NUT (SS/B MS14144L3)		1
2 -52	MS14144L3	.@NUT (SPARES)	VII/	1
2 -52	AN380-2-2	.@PIN, COTTER		1
2 -53	AN3-5A	.@BOLT		2
2 -53	MS21919DG5	.@CLAMP, CONTROL/BRKT (IO 360-A3B6D)	VII/	2
2 -53	660017-003	.@CLAMP, CONTROL/BRKT (IO 360-A3B6)	VII/	1
2 -53	660017-005	.@CLAMP, CONTROL/BRKT (IO 360-A3B6)	VII/	1
2 -53	AN960-10	.@WASHER		4
2 -53	AN960-10L	.@WASHER		2
2 -53	AN363-1032	.@NUT		2
2 -53	MS21045-L3	.@NUT (ALT)		2
2 -	660198	CABLE, COWL FLAP CONTROL (SEE 71-10-02) (NI)		REF
2 -	940088	CONTROL, PUSH-BUTTON, RETROFIT (NI)		REF

MOONEY AIRPLANE COMPANY, INC.
M20J - ILLUSTRATED PARTS CATALOG

EFFECTIVITIES:

I	24-0084, 24-0378 THRU 24-1685, 24-3000 THRU 24-3153
II	24-0378 THRU 24-0979
III	24-0980 THRU 24-TBA
IV	24-0378 THRU 24-2999
V	24-1686 THRU 24-2999, 24-3154 THRU 24-TBA
VI	24-0378 THRU 24-3373
VII	24-3374 THRU 24-TBA (IO 360-A3B6 ENGINES)

NOTES:

1. 660051-003 SWIVEL JOINT OR -005 SWIVEL ASSY MAY BE USED. -005 ASSY CONSISTS OF AN3-11 BOLT, 913022-009 WASHER, 2 EA. 550017-005 SPACERS, AN960-10L WASHER, AN310-3 NUT, AN380-2-2 COTTER PIN AND HF-3-M HEIM BEARING.

2. ZINC PLATE PER ASTM B6 TYPE III CLASS FE/ZN13 AND ZINC COBALT W/CLEAR CHROMATE PER FORD SPEC WSH.MIP86.A.

INTENTIONALLY LEFT BLANK