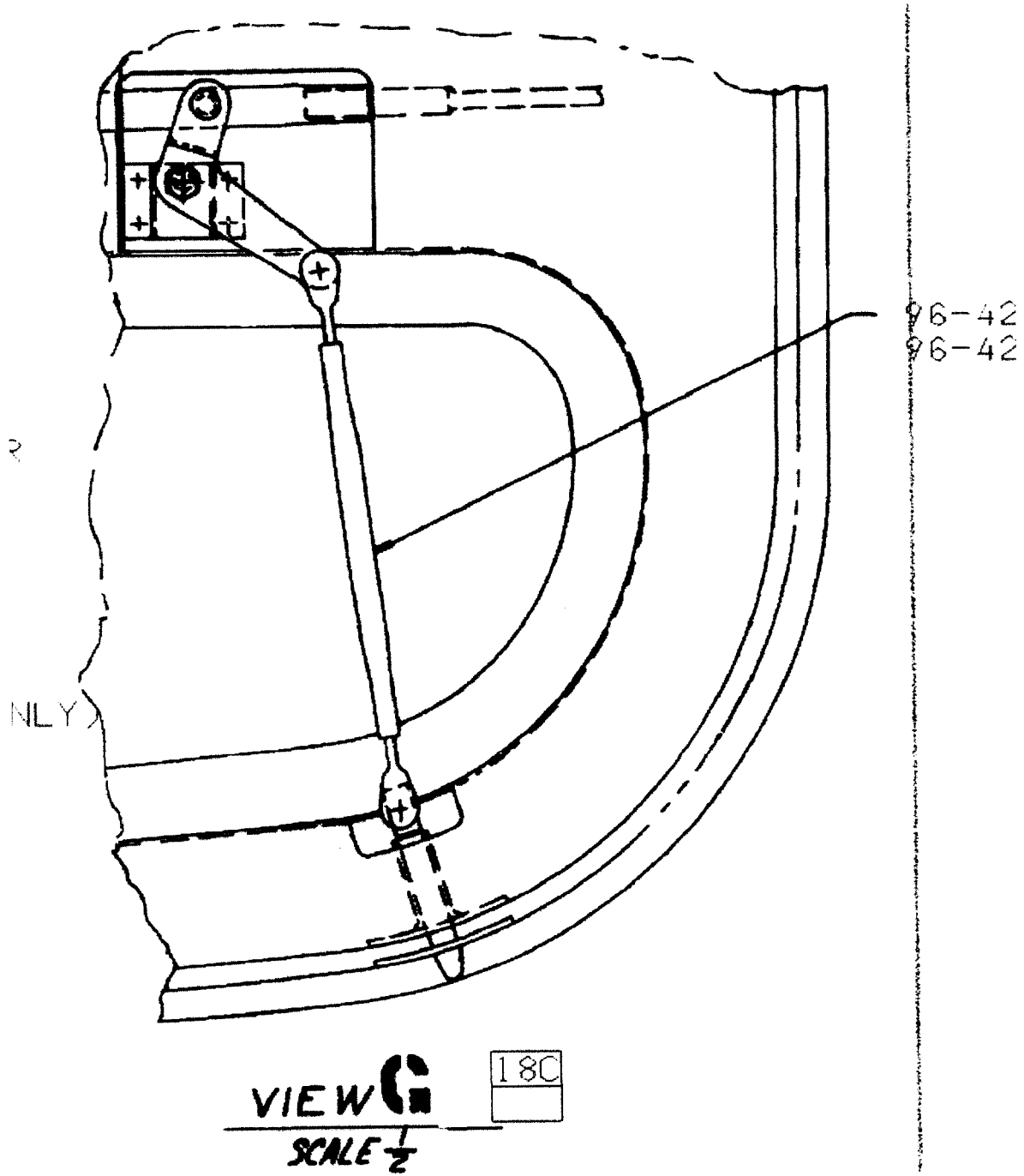


Original Design (Accident Condition)



Design as modified by Kit 36-4007 (Required by Mandatory Service Bulletin No. 2457)

