

LEFT SIDE

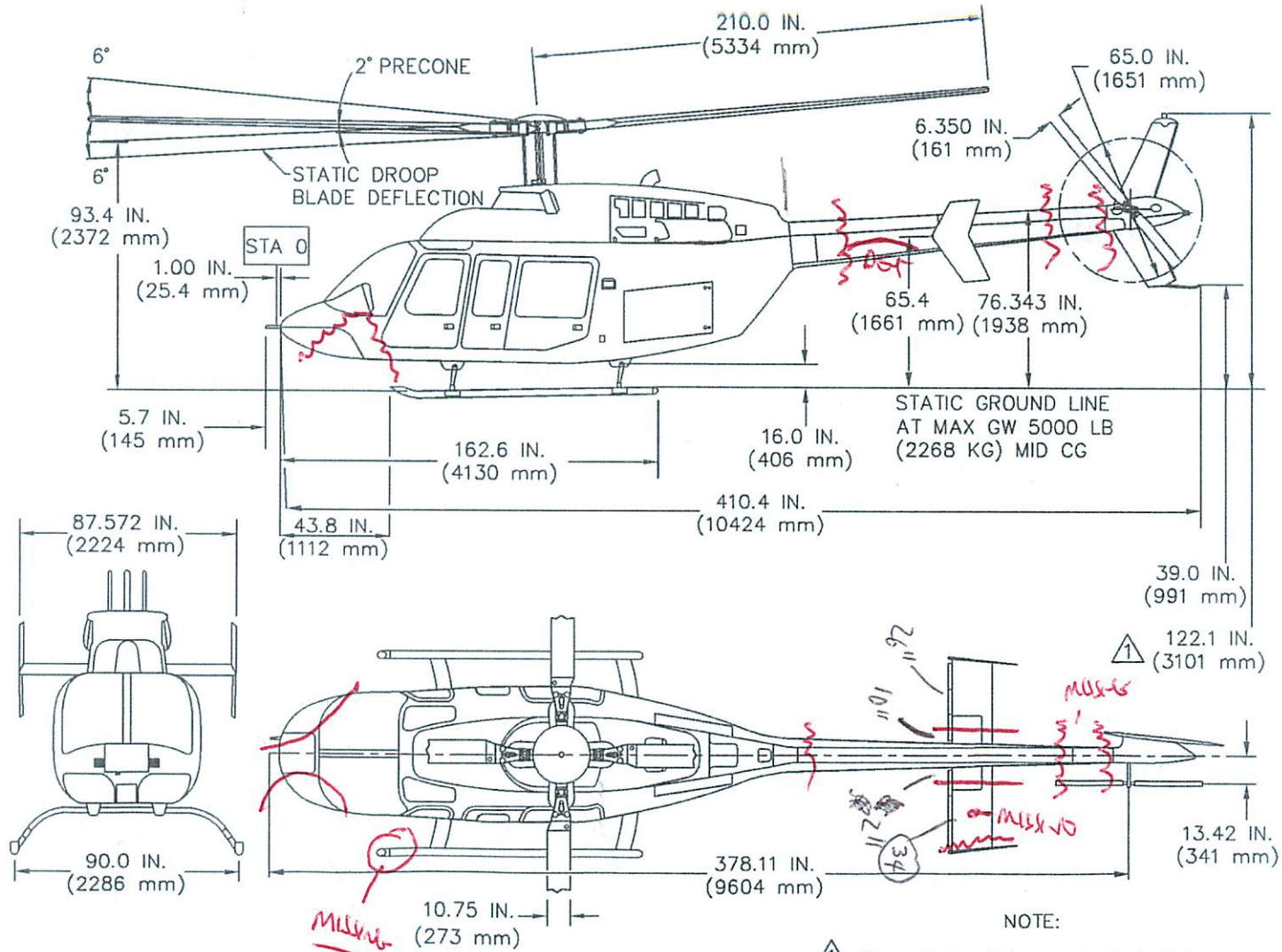
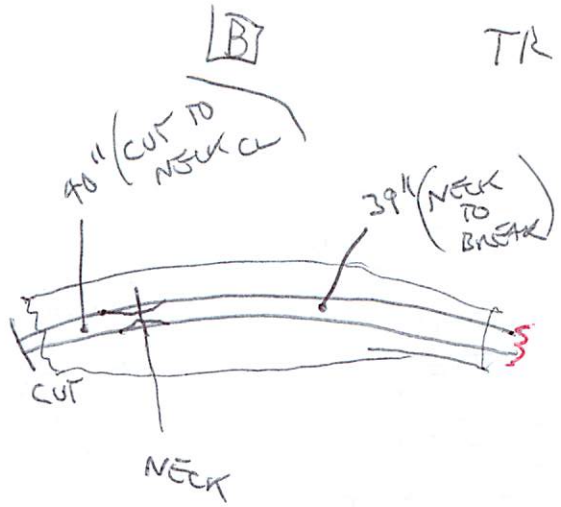
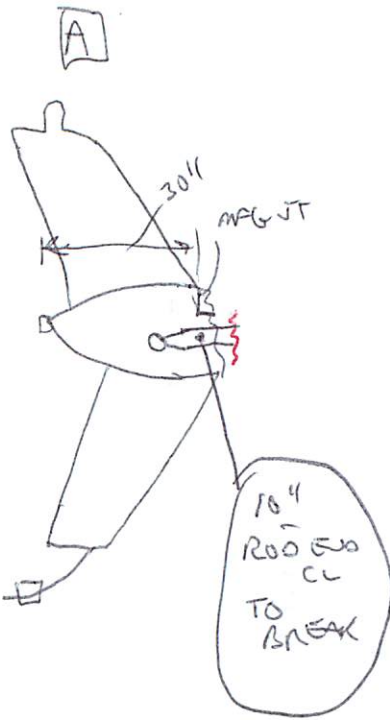


Figure 6-1. Primary Dimensions

Bell Helicopter
A Textron Company

BHT-407-MM-2

TR DR CR PUSH/PULL



LKG LEFT

TR P/PROG	
59	DWG ACQUA 175.6"
39	
40	
10	
<u>149"</u>	
FOUND	

PER DWG
~~142.33"~~ FWD MFG JT TO TR CABIN

TR BOOM (AFT TO FWD)

- A LIGHT TO MFG MFG JOINT 30"

- B 89"
- C BREAK (LWR SIDE) TO MFG JOINT (PUSH/DOWN) 22"

111.1 VS 142

RIGHT SIDE

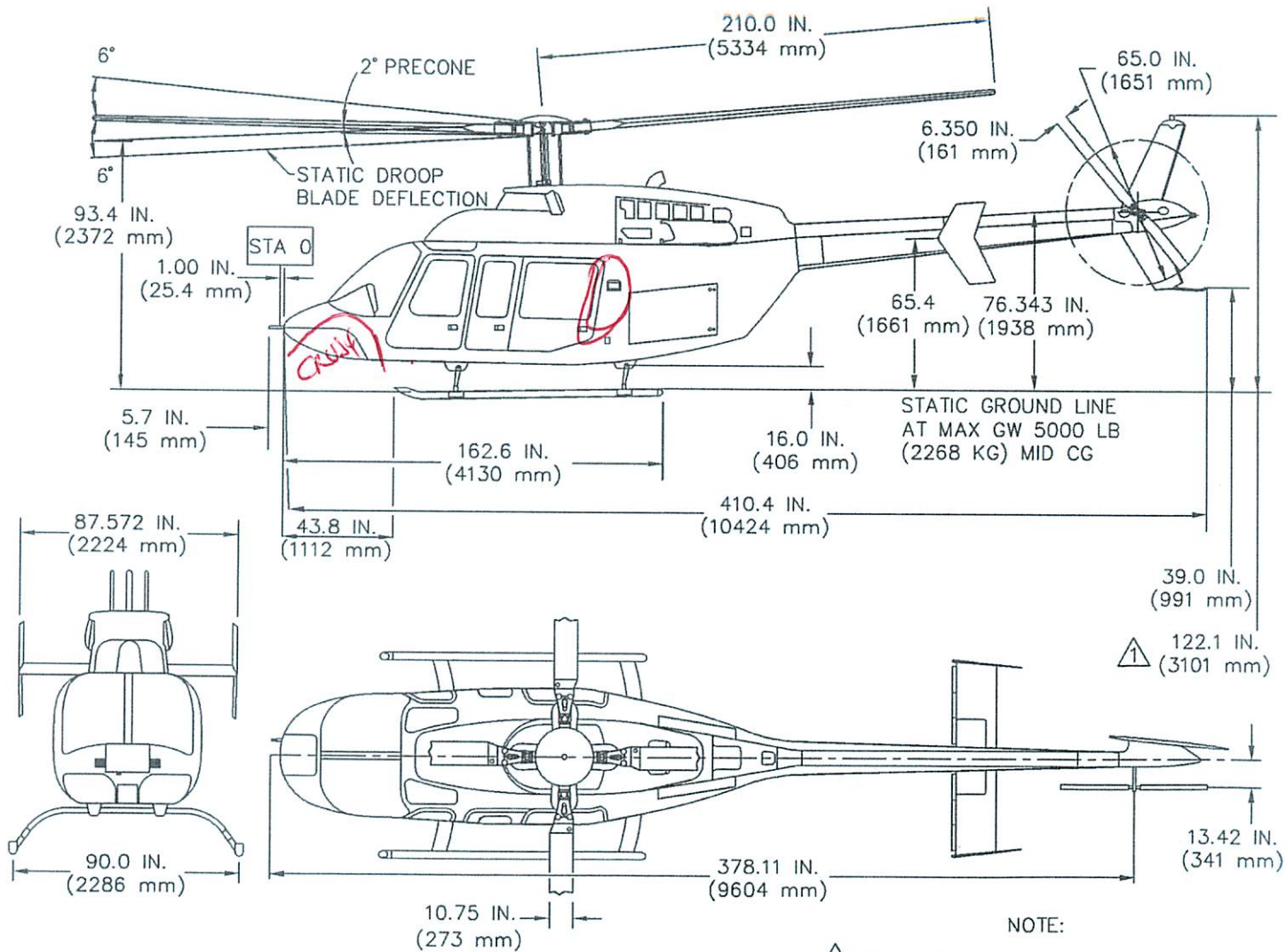


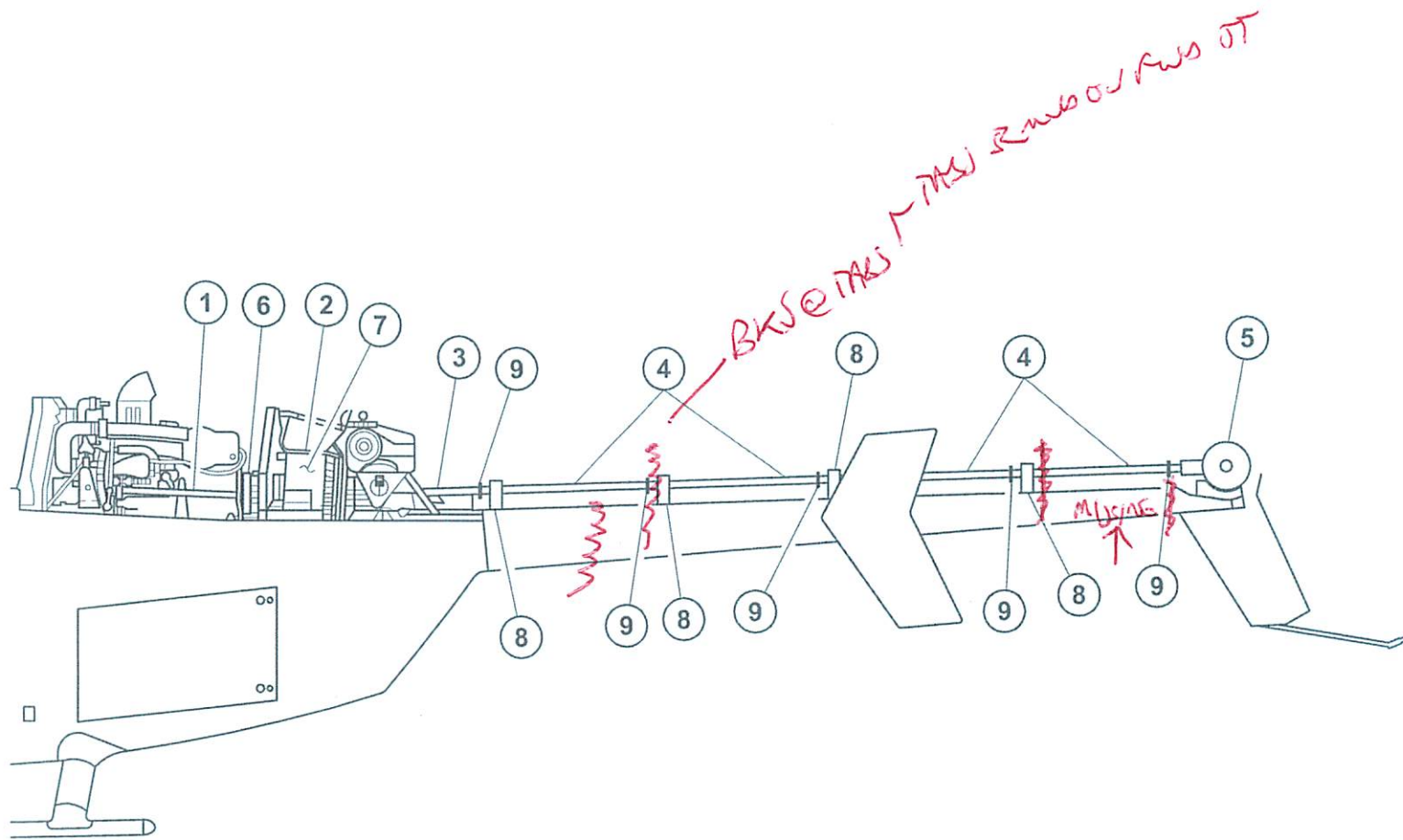
Figure 6-1. Primary Dimensions

Bell Helicopter
A Textron Company

BHT-407-MM-2

NOTE:

⚠ When high skid gear is installed, the height of the helicopter is approximately 131 inches (3327 mm).



1. Forward short shaft
2. Oil cooler blower assembly