



# Fleet Campaign Form A-4001

**Date of Issuance:** August 7, 2012

**Fleet Campaign Number:** FCD 18, Rev:02

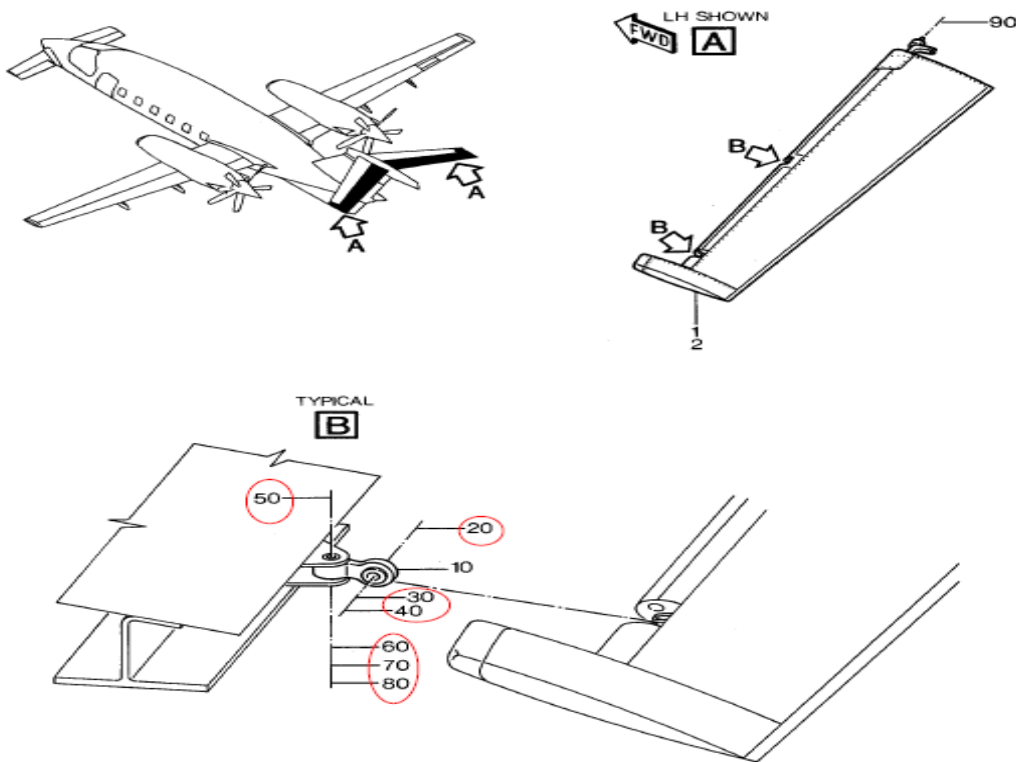
**Description:** Elevator Attachment Bolts Verification.

**Effectivity:** ALL AIRCRAFT

**Purpose:** This Fleet Campaign is to Verify & Catalog the Elevator Attachment Bolts installed on fleet aircraft.

**Completion:** At the next Maintenance Event / RON at an Avantair Maintenance Base or "D" check.

## P-180 IPC Reference:



IP\_52000-1

Fig. 1 - INSTL ELEVATOR,(LH-RH)

FIG ITEM	PART NUMBER	NOMENCLATURE 1 2 3 4 5 6 7 8 9	USE CN CODE	UNITS
				PER ASSY
1	-1 80-403003-803	INSTL ELEVATOR, LH . . . . .		1
	2 80-403003-804	INSTL ELEVATOR, RH . . . . .		1
	10 80-403107-041	. FITTING ASSY-HINGE (AS SPARE USE ITEM 15) . . .	1004-1033	2
	-15 80-403107-401	. FITTING ASSY-HINGE . . . . .	1034-1104	2
	ATTACHING PARTS			
	20 NAS6404A9	. BOLT . . . . .		1
	30 NAS1149D0463K	. WASHER . . . . .		1
	-35 NF320006-2C-4.5	. BUSH . . . . .		1
	40 MS21043-4	. NUT . . . . .		1
	* * *			
	50 NAS6404A20	. . BOLT (FOR INDEX 10) . . . . .		1
	-55 NAS6304U21	. . BOLT (FOR INDEX 15) . . . . .		1
	60 NAS1149C0432B	. . WASHER (FOR INDEX 10) . . . . .		1
	-65 NAS1149E0432F	. . WASHER (FOR INDEX 15) . . . . .		1
	70 80-403107-003	. . BUSH (FOR INDEX 10) . . . . .		1
-75 80-403107-005	. . BUSH (FOR INDEX 15) . . . . .		1	
80 MS20002C4	. . WASHER (FOR INDEX 10) . . . . .		1	
90 MS16625-1143	. CLIP-SPRING . . . . .		1	

**Instructions:**

Inspect installed Hardware for correct part number. Replace as necessary.  
 If access is not available remove elevator (s) Ref: P-180 AMM CH: 27-30-00.

Record Mounting Bolt Part Numbers below:

**Elevator Mounting Hardware:**

- Item 20 PN: NAS6404A9 = Bolt 2ea:  
 L/H side: Found O/B: \_\_\_\_\_ // Found Middle: \_\_\_\_\_  
 R/H side: Found O/B: \_\_\_\_\_ // Found Middle: \_\_\_\_\_  
 (If Hardware is replaced enter below. If Hardware is not Replaced enter N/A)  
 Installed L/H O/B: \_\_\_\_\_ // Installed Middle: \_\_\_\_\_  
 Installed R/H O/B: \_\_\_\_\_ // Installed Middle: \_\_\_\_\_

**Elevator Hinge Mounting Hardware:**

- Item 50 PN: NAS6404A20 = Bolt 2ea:  
 L/H side Found O/B: \_\_\_\_\_ // Found Middle: \_\_\_\_\_  
 R/H side: Outboard: \_\_\_\_\_ // Found Middle: \_\_\_\_\_  
 (If Hardware is replaced enter below. If Hardware is not Replaced enter N/A)  
 Installed L/H O/B: \_\_\_\_\_ // Installed Middle: \_\_\_\_\_  
 Installed R/H O/B: \_\_\_\_\_ // Installed Middle: \_\_\_\_\_

If applicable reinstall Elevators I/A/W P-180 AMM CH: 27-30-00.

**Note:** If the Self Locking Function of Nut 40 and the nut on bolt 50 are insufficient replace them as necessary. Reference Piaggio P-180 AMM Chapt: 20-10-01.

\* Record Maintenance on Company Flight Log or AML \*