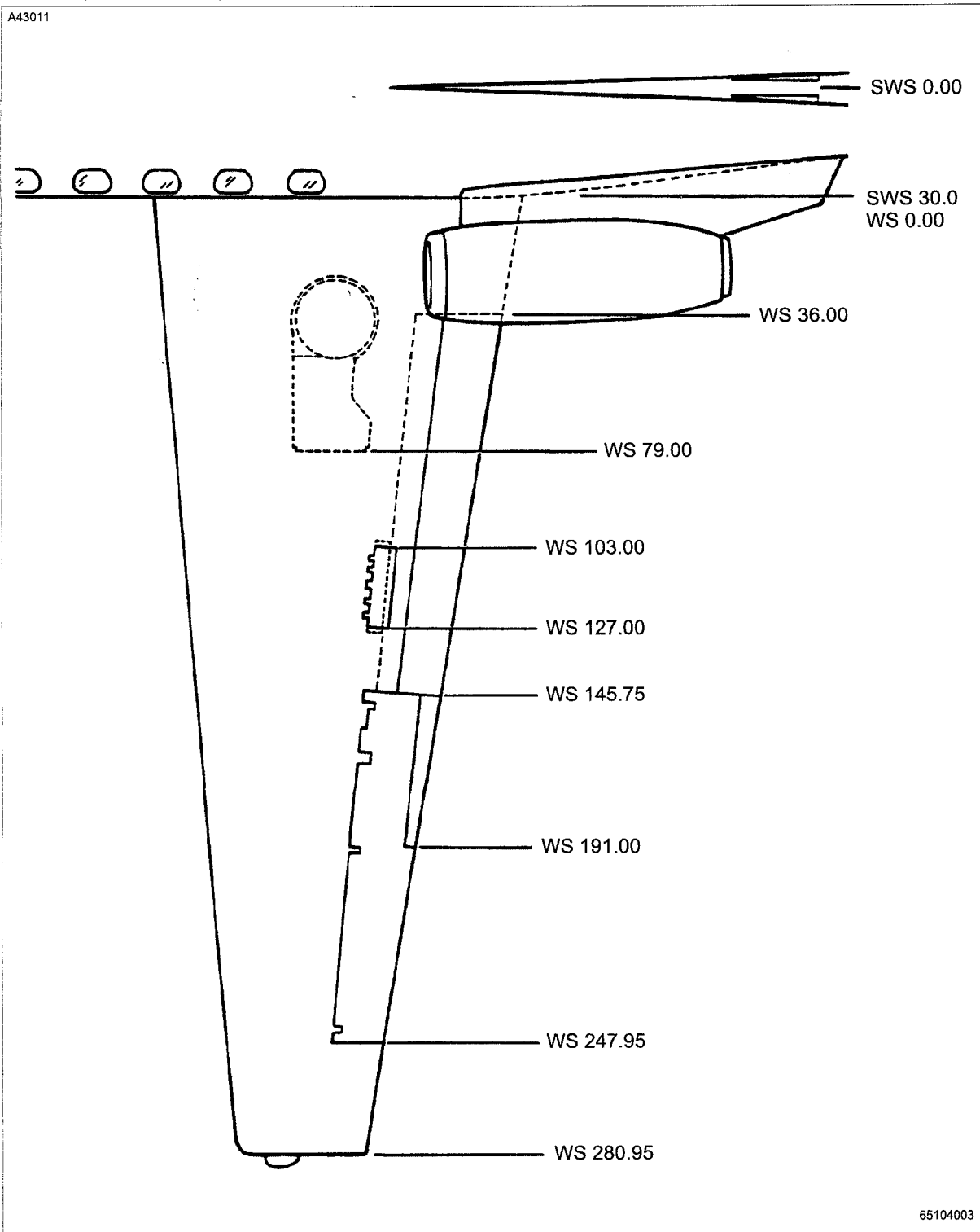


Figure 3. Wing Station Diagram



Sheet 1