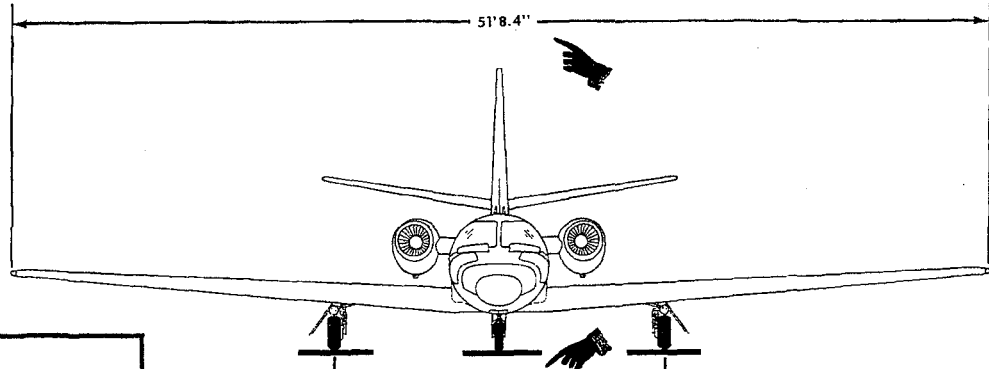


SPECIFICATIONS



AIRFOILS

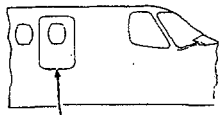
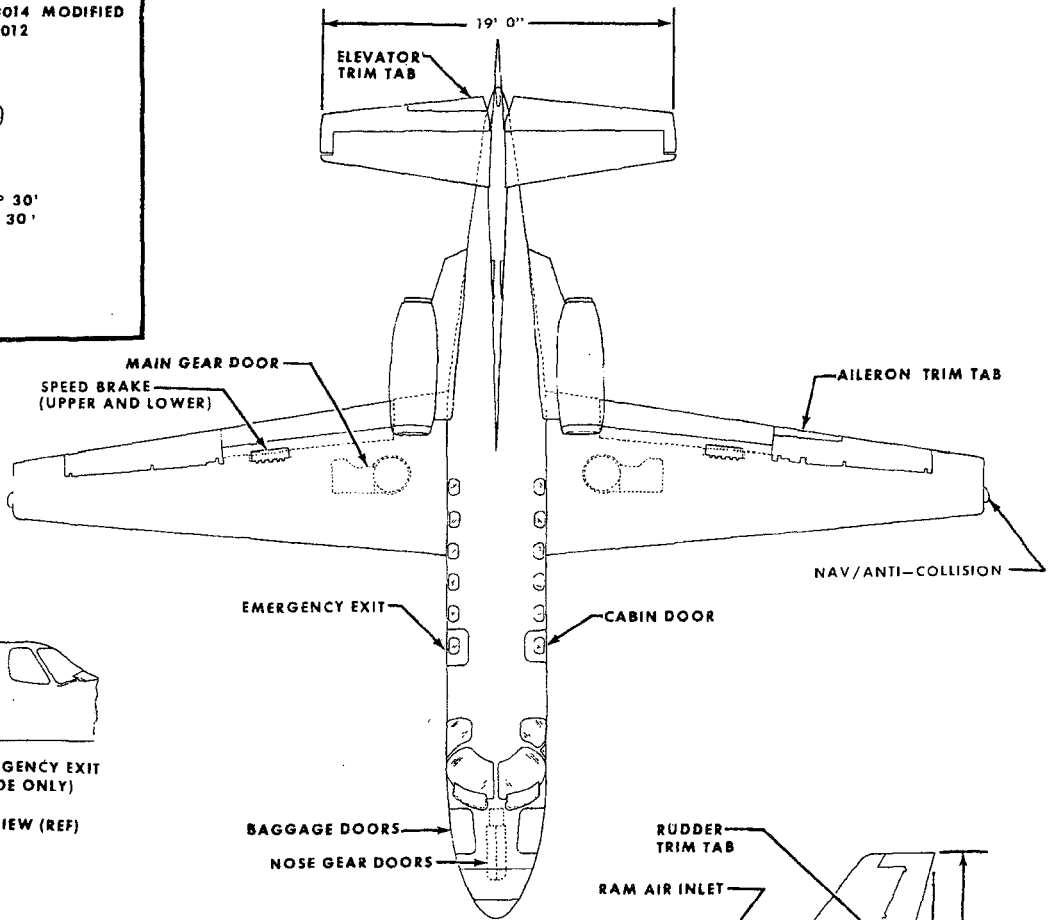
WING
 Q AIRPLANE - NACA 23014 MODIFIED
 W.S. 247.95 - NACA 23012

TAIL (VERTICAL)
 ROOT - NACA 0012
 TIP - NACA 0008

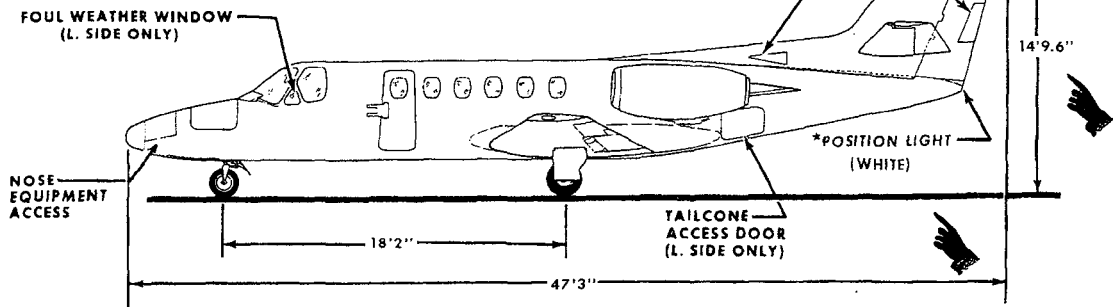
TAIL (HORIZONTAL)
 ROOT - NACA 0010
 TIP - NACA 0008

INCIDENCE
 WING Q AIRPLANE +2° 30'
 WING W.S. 247.95 -0° 30'
 HORIZONTAL TAIL 0°

DIHEDRAL
 WING 4°
 HORIZONTAL TAIL 9°
 ENGINE PYLONS 2°



EMERGENCY EXIT (R. SIDE ONLY)
 R. SIDE VIEW (REF)



* 550/551-0128 AND ON