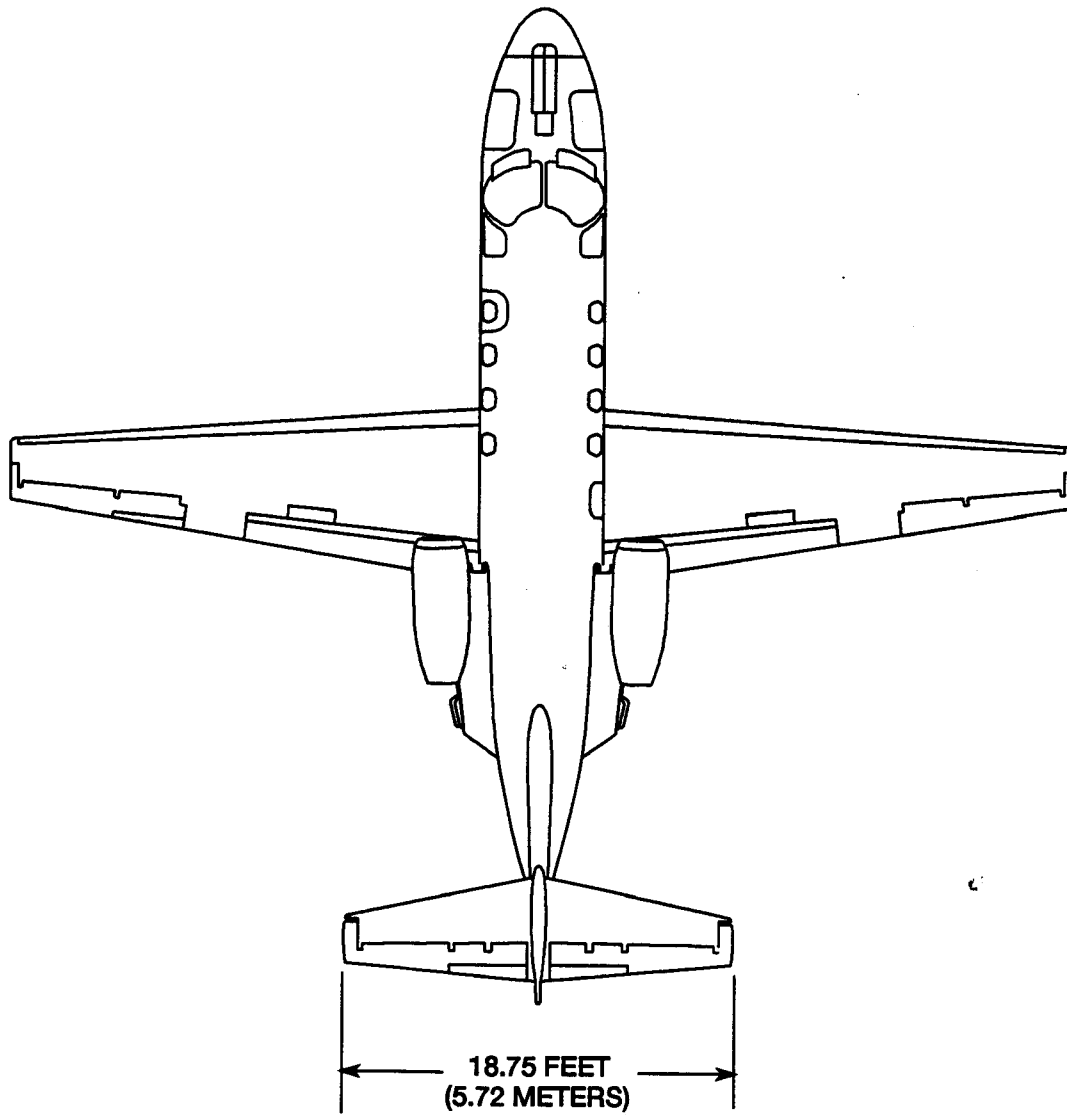


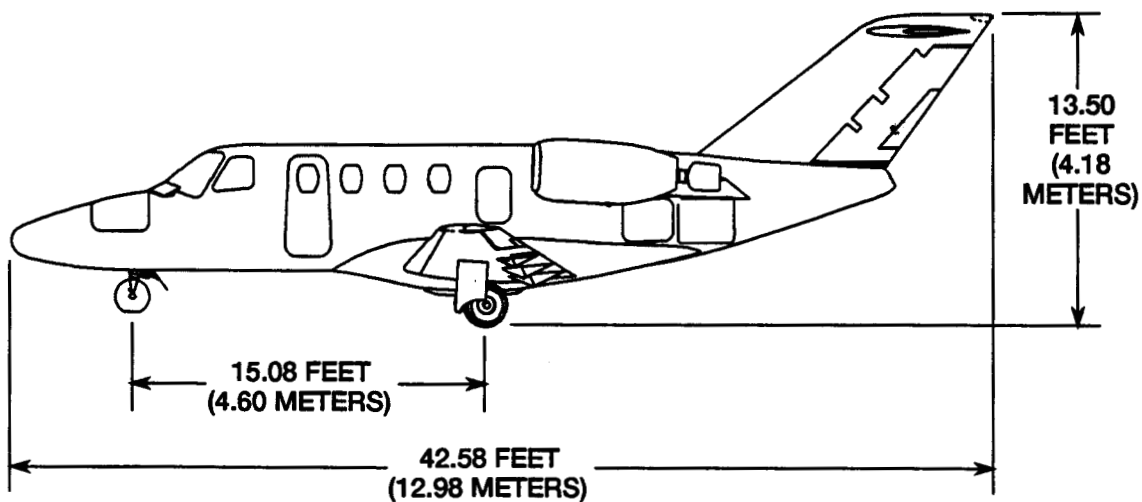
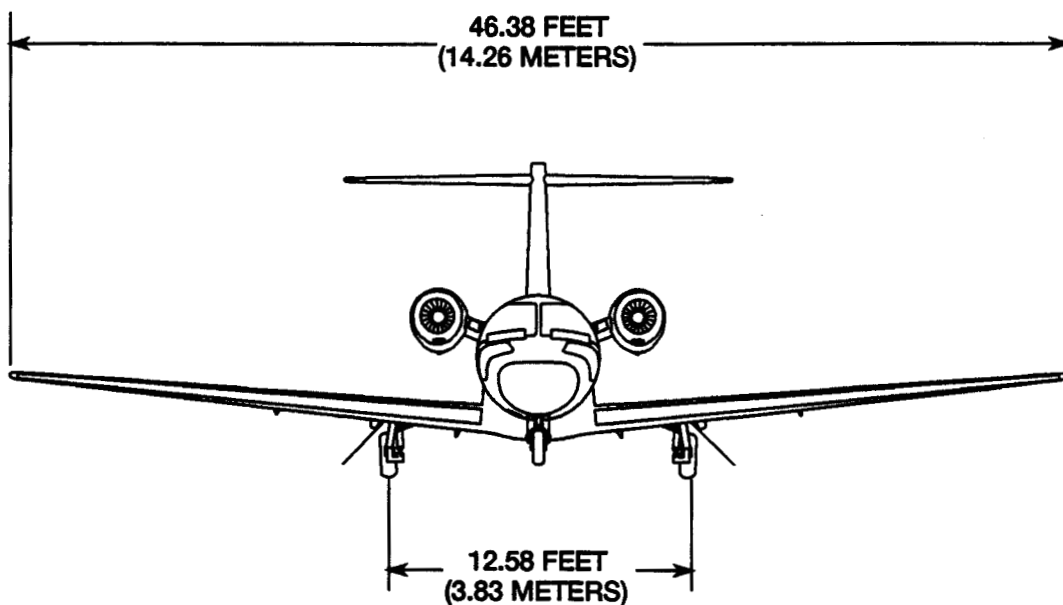
CESSNA AIRCRAFT COMPANY
MODEL 525
MAINTENANCE MANUAL



Airplane Three View
Figure 1 (Sheet 1)

6310C1004

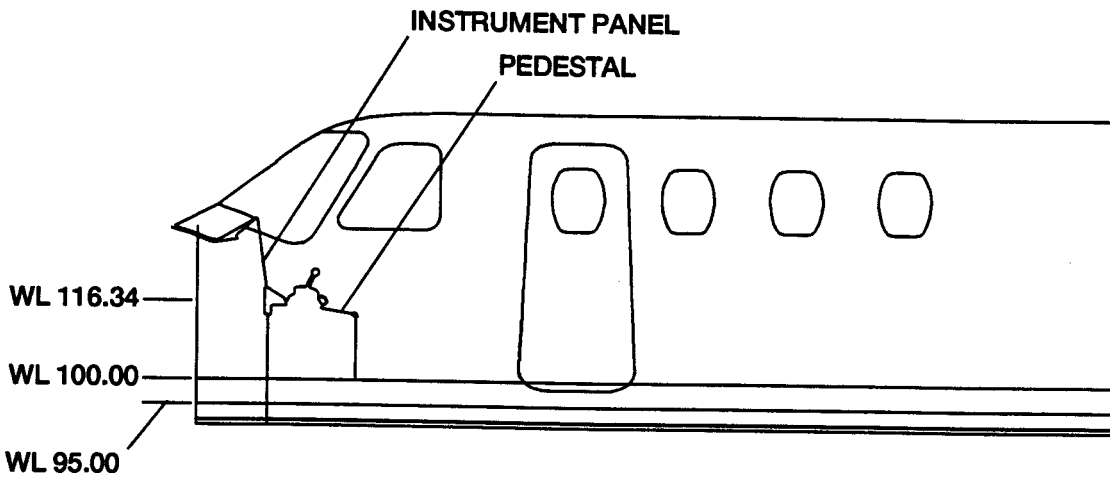
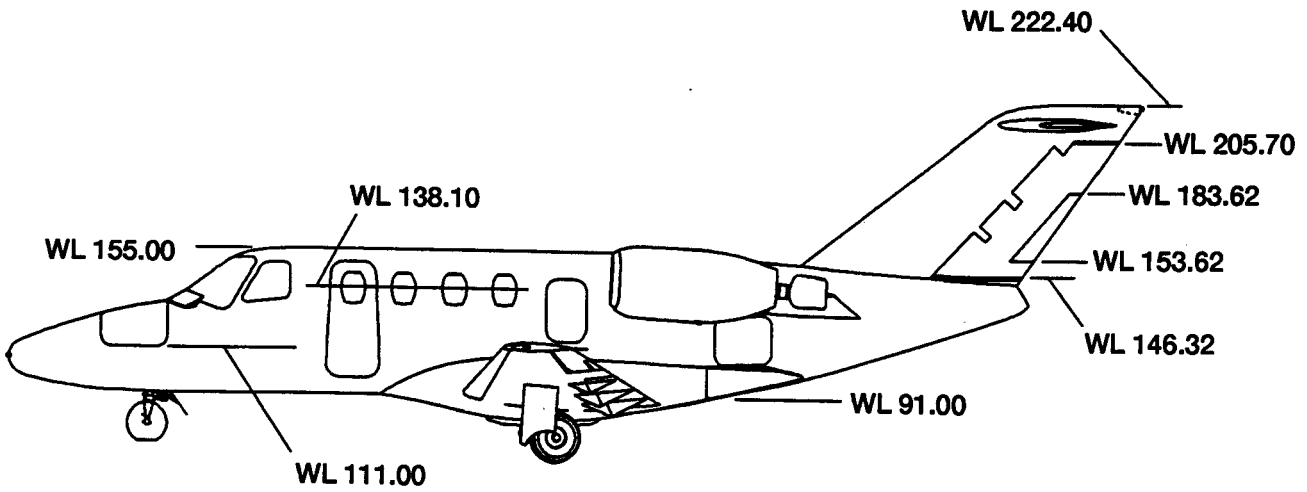
CESSNA AIRCRAFT COMPANY
MODEL 525
MAINTENANCE MANUAL



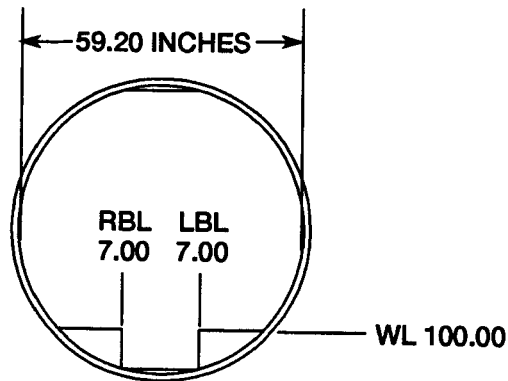
Airplane Three View
Figure 1 (Sheet 2)

8310C1004

CESSNA AIRCRAFT COMPANY
MODEL 525
 MAINTENANCE MANUAL



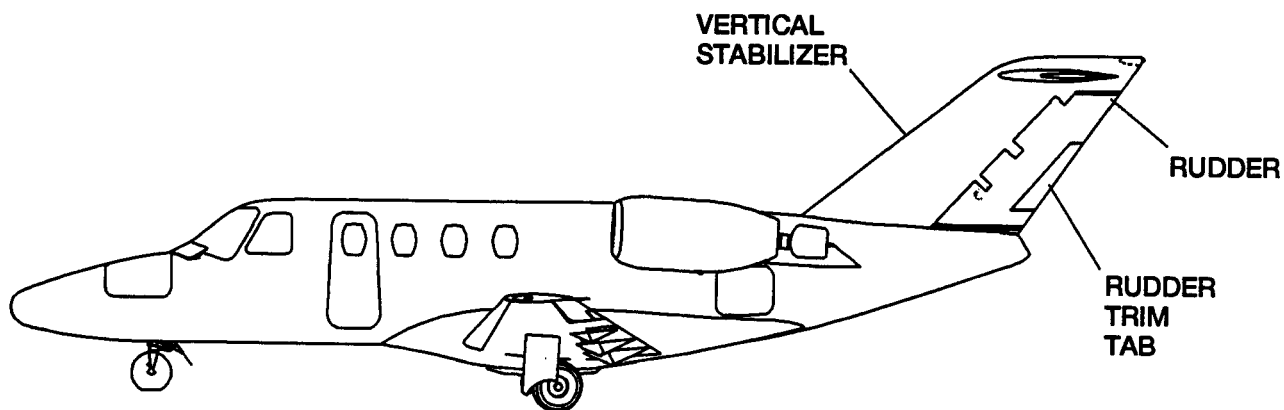
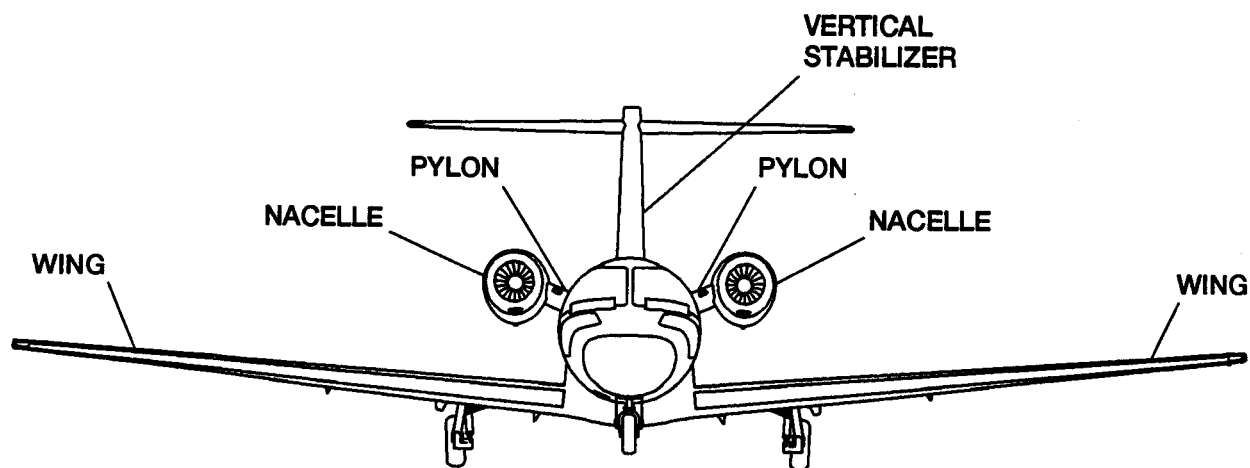
FUSELAGE WATER LINES



8310C1007
 8310C1007
 8310C1008

Fuselage Location Diagram
 Figure 1 (Sheet 1)

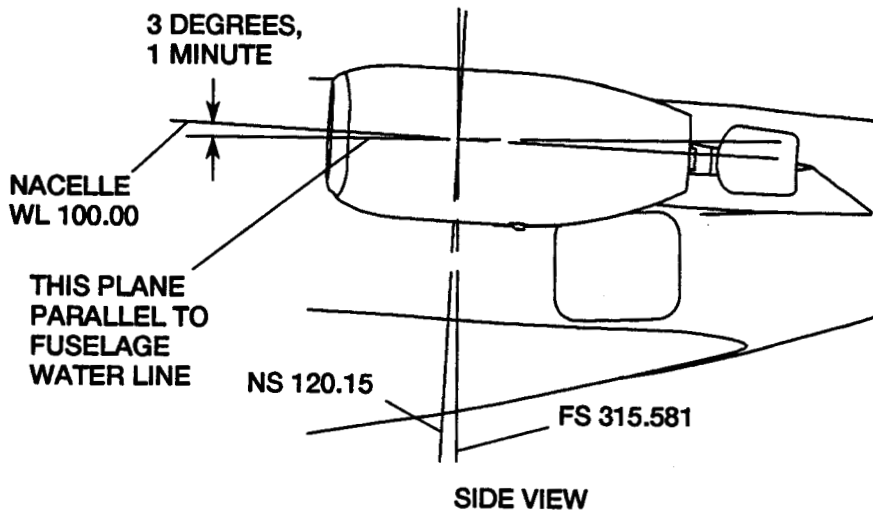
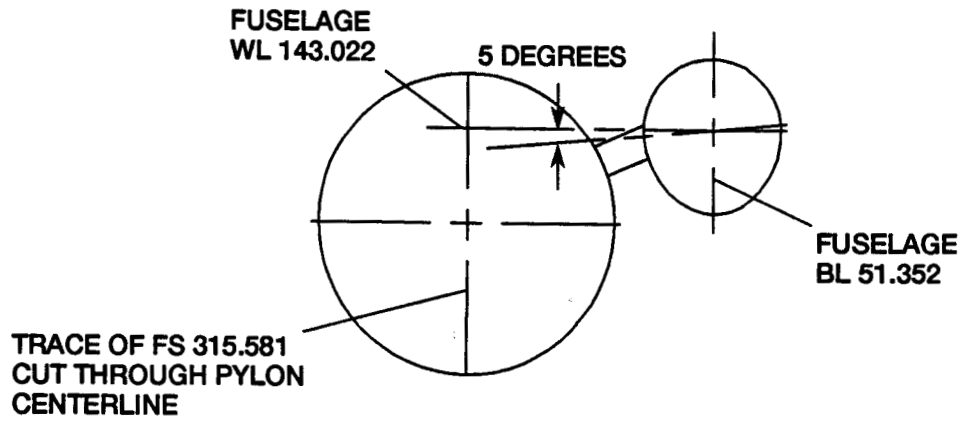
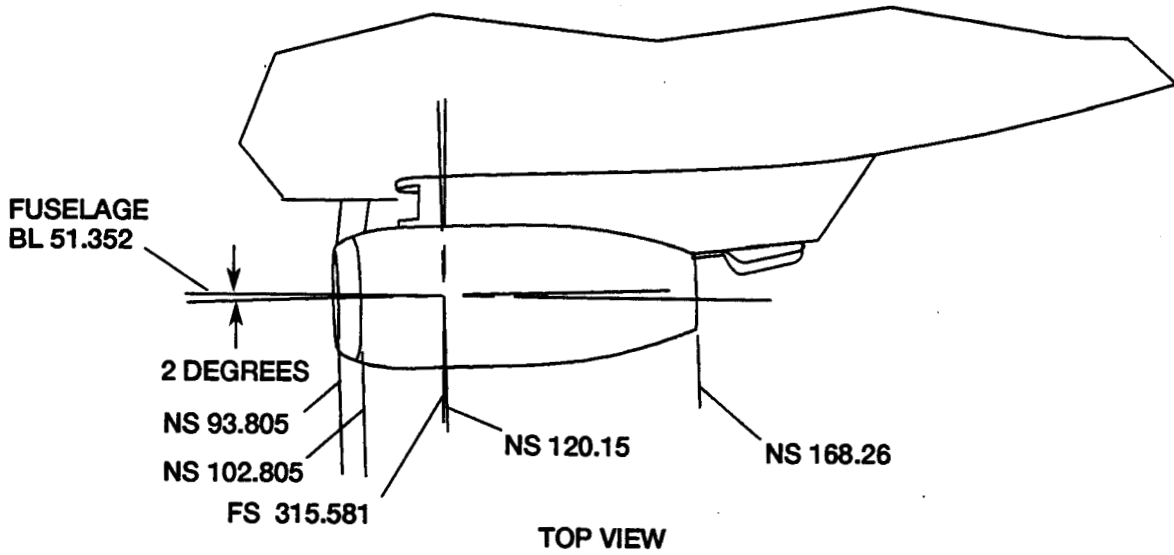
CESSNA AIRCRAFT COMPANY
MODEL 525
MAINTENANCE MANUAL



Airplane Areas
Figure 1 (Sheet 2)

6310C1006

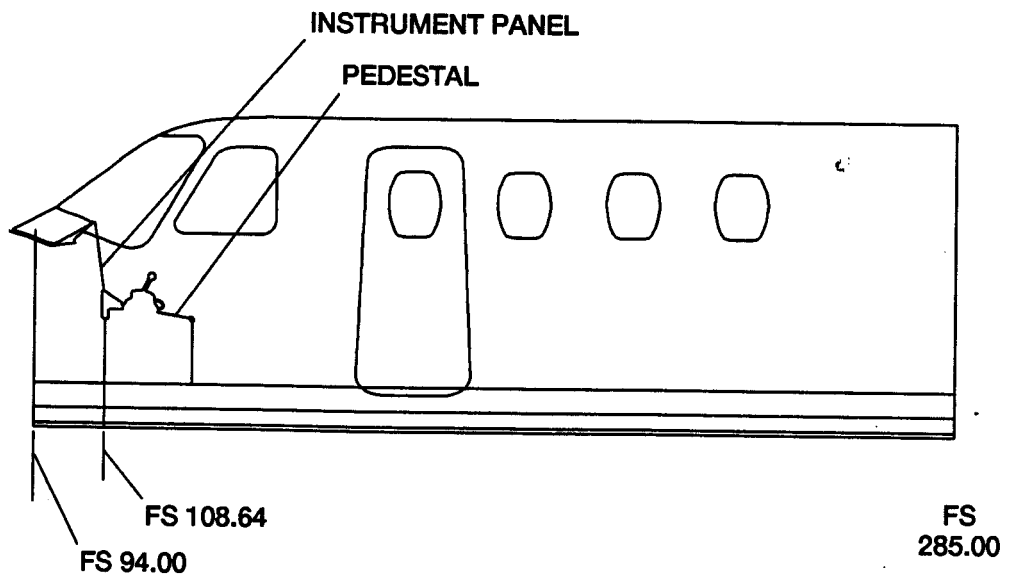
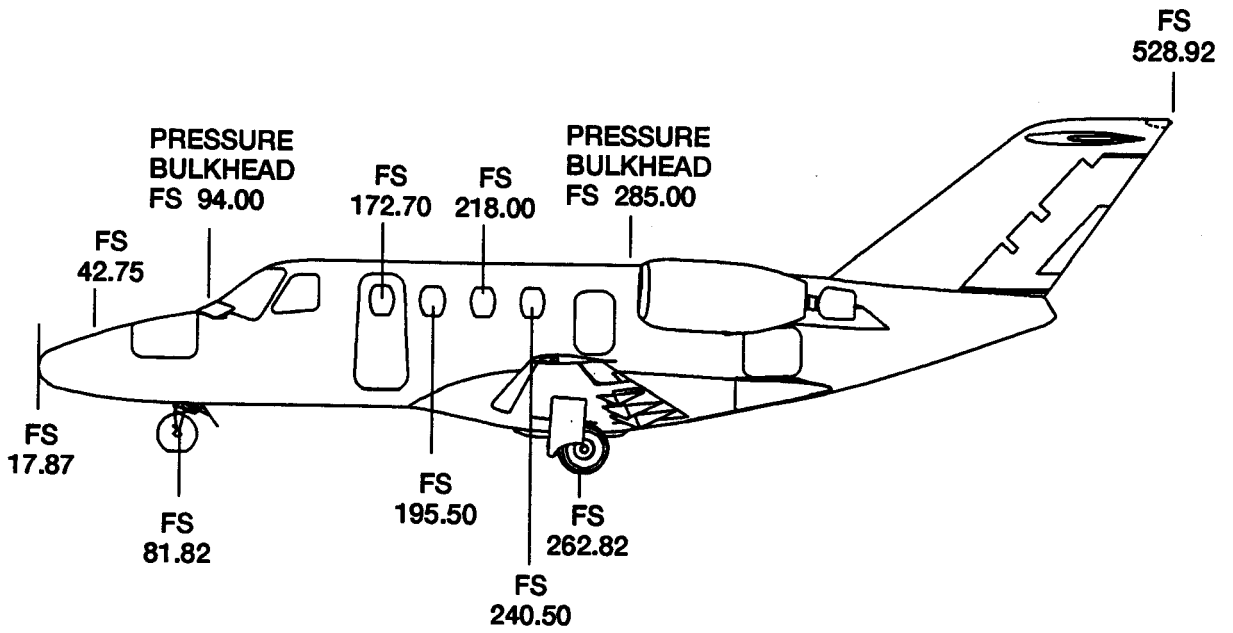
CESSNA AIRCRAFT COMPANY
MODEL 525
 MAINTENANCE MANUAL



Pylon/Nacelle Location Diagram
 Figure 2 (Sheet 1)

6310C1009

CESSNA AIRCRAFT COMPANY
MODEL 525
 MAINTENANCE MANUAL

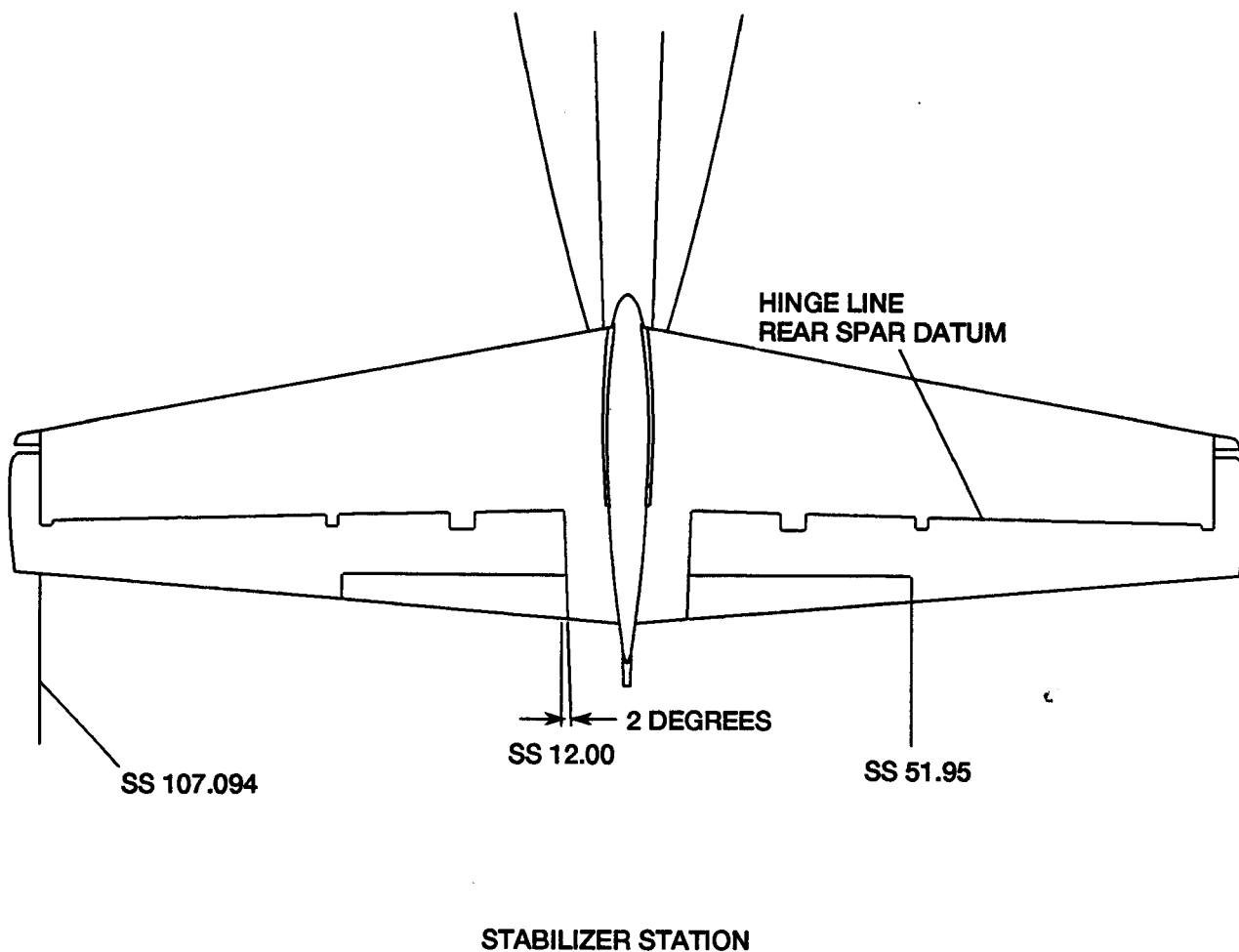


FUSELAGE STATIONS

Fuselage Location Diagram
 Figure 1 (Sheet 2)

6310C1007
 6310C1008

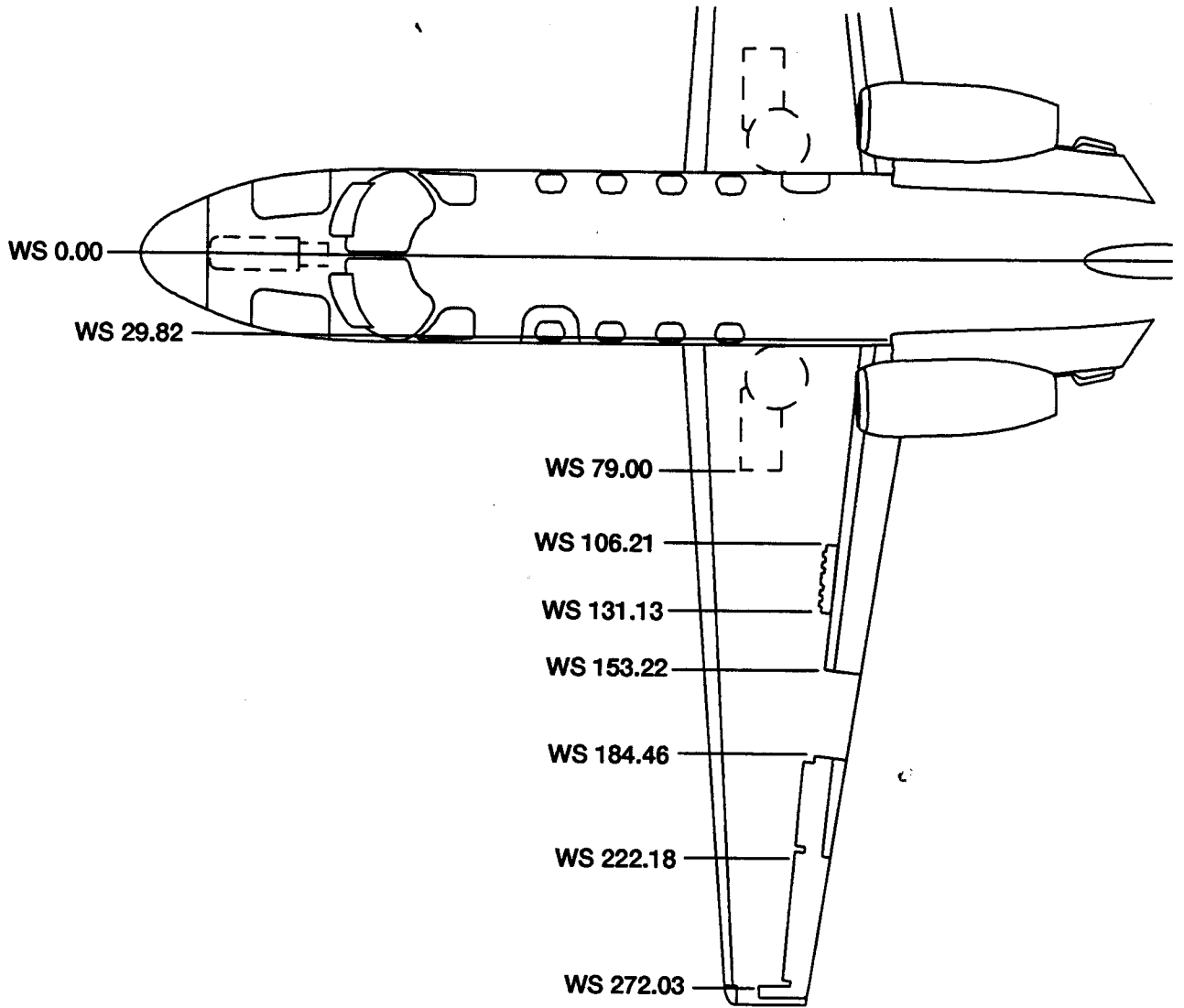
CESSNA AIRCRAFT COMPANY
MODEL 525
MAINTENANCE MANUAL



Horizontal Stabilizer Station Diagram
Figure 4 (Sheet 1)

6310C1011

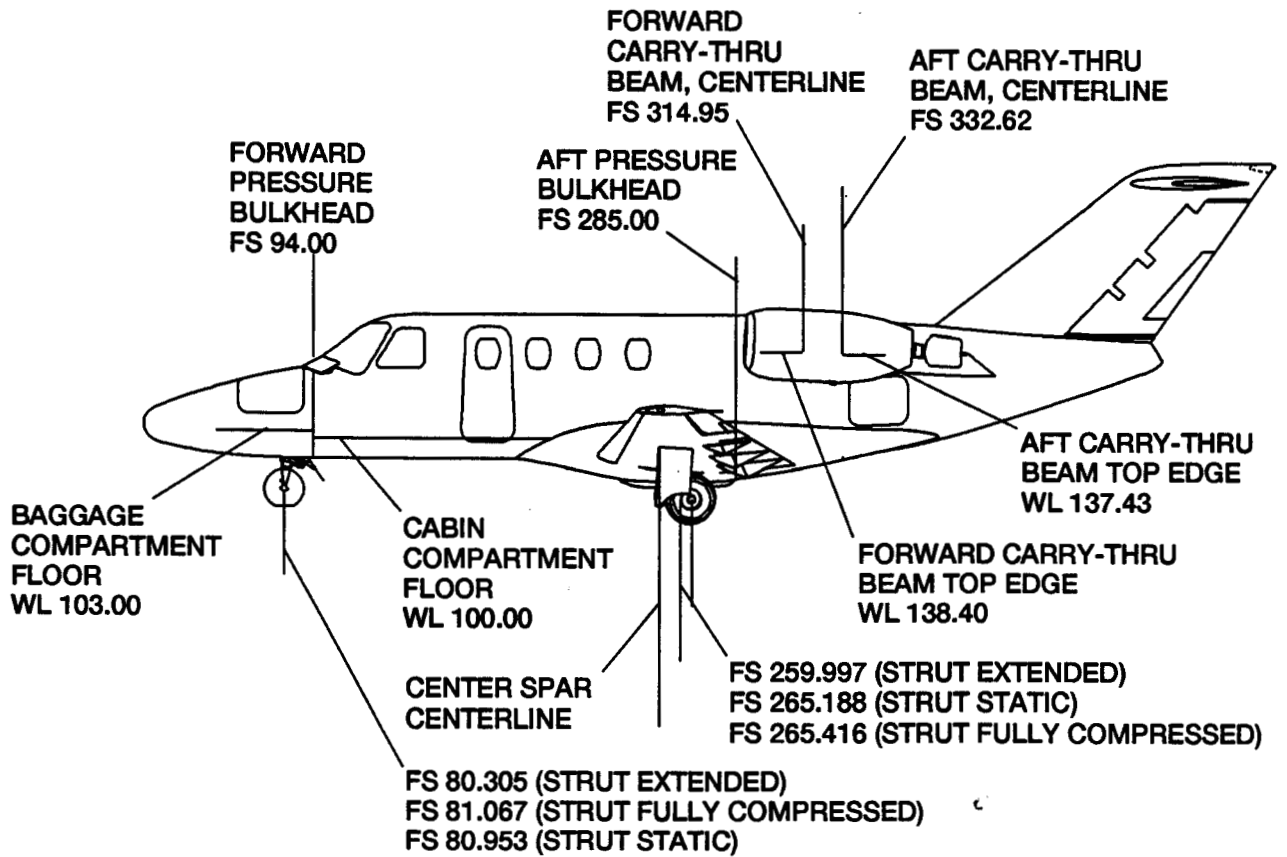
CESSNA AIRCRAFT COMPANY
MODEL 525
MAINTENANCE MANUAL



Wing Station Diagram
Figure 3 (Sheet 1)

6310C1010

CESSNA AIRCRAFT COMPANY
MODEL 525
 MAINTENANCE MANUAL



6310C1012

Major Structural Members Location
 Figure 5 (Sheet 1)