

# Neptune Compact CPP

## Propulsion Control System



Neptune Compact offers an easy, accurate and cost-efficient solution for propulsion control.

When choosing a Neptune Compact system you will get:

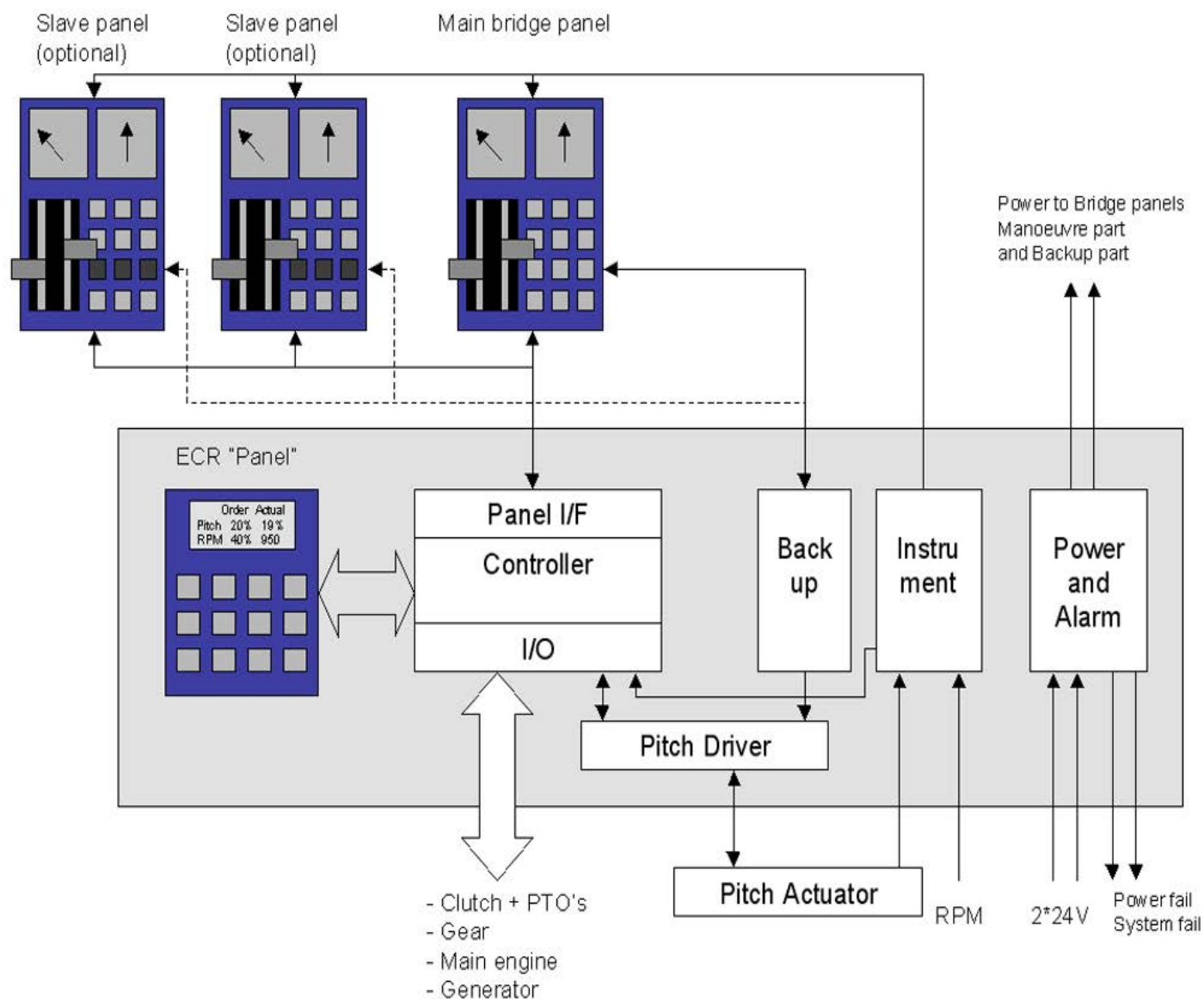
- Easy to install-Easy to use standardised system.
- Control of pitch, RPM, main clutches and PTOs.
- Flexible system regarding manoeuvring stations, twin screw application, ECR panel i CPU cabinet door

Neptune Compact is a standardised and trustable system for CPP propulsion control. It has been installed in a variety of different vessels as: Fishing vessels, live fish carriers, container vessels, High Speed Crafts and other types of vessels that demands a standard, accurate and cost-efficient system.



**Scana**  
Scana Mar-EI AS

# System overview



## Set-up/Configuration:

The configuration of the system can be done from a portable PC



# Scana

## Scana Mar-EI AS

Scana Mar-EI AS · Storvegen 48 · N-3880 Dalen · Phone:+47 35 07 58 00 · Fax:+47 35 07 58 01

E-mail: mar-el@scana.no · Internet: www.mar-el.no / www.scana.no

Båtfoto: Harald M. Valderhaug