



Anti-splashing tape designed for marine application

MF 01 ANTISPRAY TAPE



Approved by



MAREFLEX MF 01 ANTISPRAY TAPE

SOLAS

General description

The Mareflex MF01 tape was designed with the aim of protecting pipeline installations against leakage in accordance with the latest SOLAS Consolidate Edition 2004 Regulation II-2/4.2.2.5.3. It's supposed to serve as protection against possibility of spraying the flammable substances on hot surfaces. Flammable substances once they come into contact with a hot surface may be the cause of fire. The MF01 tape can be used to direct a potential leakage to areas where flammable substance will not be dangerous.

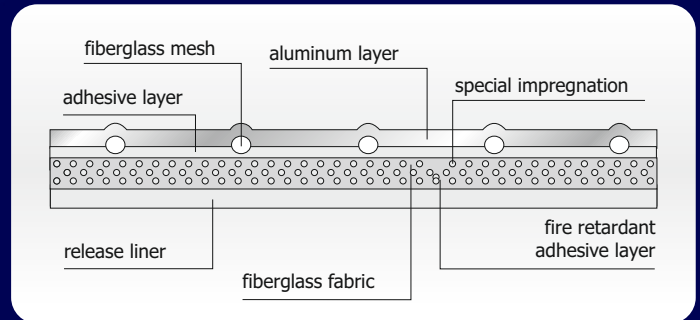
The Mareflex MF01 material is available in sheet and tape format of various sizes. All versions come with an adhesive layer to ensure easy installation.

The Mareflex MF01 is equipped with a fire-retardant (self extinguishing) adhesive layer which further enhances the safety standards. The adhesive layer is very strong and resistant to high temperatures.

Technical specification

The Mareflex MF01 is produced from materials of the highest quality selected in such a way as to ensure the best protection against high pressure, high temperature while maintaining the elasticity necessary for a quick and easy installation.

The picture on right shows the idea of the tape's structure in a schematic way:



Advantages

- high-performance fiberglass fabric, additionally impregnated for higher pressure resistance
- specially developed for this products fire retardant adhesive layer gives additional protection against danger from fire
- additional fiberglass mesh increasing the flexibility and making the installation easier

Physical properties and performed tests

Color:	silver (with orange print)
Thickness:	410 micrometers (without release liner)
Temperature range:	up to 150 °C
Shelflife:	indefinite shelf life when properly stored

Physical properties:	Result	Regulation
Tensile strength:	1167 ± 50 N/50mm	(acc to EN ISO 1421:2001)
	137 lbs/inch	(acc to ASTM-882)
Adhesion to steel:	49 ± 5 N/50mm	(acc to EN ISO 2411:2002)
	5,49 lbs/inch	(acc to ASTM-3330)

Availability

Product code	Dimension	Product code	Dimension
MF01-35	35 mm x 10 meters	MF01-250	250 mm x 10 meters
MF01-50	50 mm x 10 meters	MF01-500	500 mm x 10 meters
MF01-100	100 mm x 10 meters	MF01-1000	1000 mm x 10 meters
MF01-140	140 mm x 10 meters		

* other dimensions available on special demand