

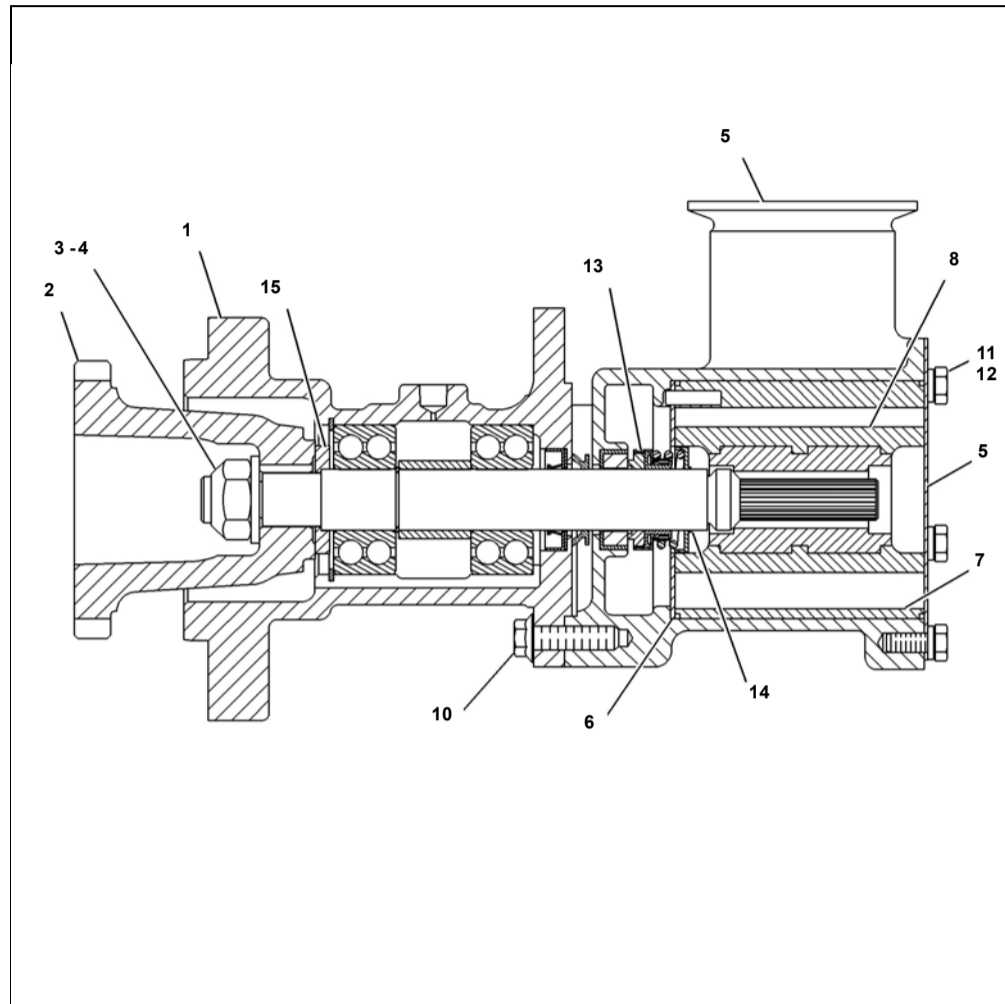


Service Information System

Previous Screen

Welcome: d340sxe

Product: MARINE ENGINE
 Model: 3406E MARINE ENGINE 9WR
 Configuration: 3406E Marine Engine 9WR00001-UP



GRAPHIC #1
g00272479

3406E Marine Engine

Media Number - SEBP2555-63 | Publication Date - 01/07/2018 | Date Updated - 16/07/2018

i02296754

131-8272 PUMP GP-AUXILIARY SEA WATER
 S/N 9WR1-1888
 PART OF 131-8271 PUMP GP-AUXILIARY SEA WATER
 AN ATTACHMENT

ENTIRE GROUP

Ref.	Qty.	NPR Note	Part No.	Part Name
Grp	<input type="text"/>	NPR	131-8272	PUMP GP-AUXILIARY SEA WATER

INDIVIDUAL PARTS

Ref.	Qty.	NPR Note	Part No.	Req. Qty.	Part Name
1	<input type="text"/>	NPR	141-0998	1	BODY AS
	<input type="text"/>	NPR	148-9767	1	SEAL
	<input type="text"/>	NPR	109-5330	1	WASHER (25.7X42.7X1.8-MM THK)
	<input type="text"/>	NPR	109-5333	1	SEAL
	<input type="text"/>	NPR	109-5348	2	BEARING
	<input type="text"/>	NPR	141-1018	1	SHAFT
	<input type="text"/>	NPR	141-1019	1	SPACER
2	<input type="text"/>	NPR	101-9640	1	GEAR (40-TEETH)
3	<input type="text"/>	NPR	2K-0337	1	LOCKNUT (3/4-16-THD)
4	<input type="text"/>	NPR	5P-8248	1	WASHER-HARD (20X36.5X3.5-MM THK)
5	<input type="text"/>	NPR	141-1017	1	HOUSING
6	<input type="text"/>	NPR NP	109-5322	1	PLATE-WEAR
7	<input type="text"/>	NPR NP	136-9490	2	LINER-CAM
8	<input type="text"/>	NPR JNP	109-5324	1	IMPELLER
9	<input type="text"/>	NPR NP	109-5325	1	COVER
10	<input type="text"/>	NPR M	109-5326	3	BOLT (M10X1.5X35-MM)(M10X1.5)
11	<input type="text"/>	NPR M	3E-9854	5	BOLT (M8X1.25X20-MM)(M8X1.25 THD)
12	<input type="text"/>	NPR	3L-6789	5	LOCKWASHER
13	<input type="text"/>	NPR	109-5321	1	SEAL AS
14	<input type="text"/>	NPR P	109-5323	1	WASHER (25.17X36.58X1.22-MM THK)

15	<input type="checkbox"/>	NPR	141-1016	1	SPACER
					AVAILABLE REPAIR KIT(S):
	<input type="checkbox"/>	NPR J	123-0492	1	KIT-IMPELLER (INCLUDES IMPELLER & SEALS- QUAD RING)
	<input type="checkbox"/>	NPR N	123-9785	1	KIT-IMPELLER (INCLUDES PLATE-WEAR, IMPELLER, COVER SEALANT, SEALS-QUAD RING, PIN & LINERS-CAM)
	<input type="checkbox"/>	NPR P	196-8897	1	KIT-PUMP (INCLUDES RING-RETAINING, SEAL, PLATE-WEAR, WASHER, IMPELLER, COVER, SEALANT, SEAL-QUAD RING, PIN, LINER-CAM & BODY AS)

Key:

- J - KIT MARKED J INCLUDES PART(S) MARKED J
- M - METRIC PART
- N - KIT MARKED N INCLUDES PART(S) MARKED N
- P - KIT MARKED P INCLUDES PART(S) MARKED P

SMCS Codes		
1371		